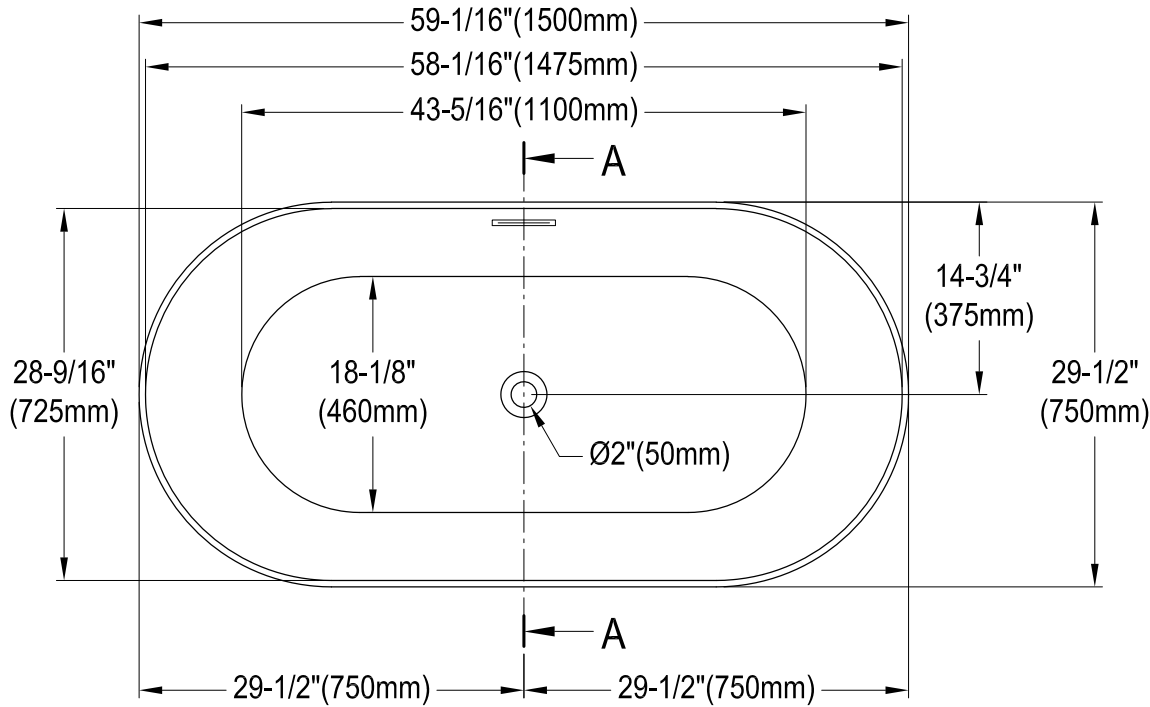
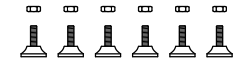


# VTOV593023

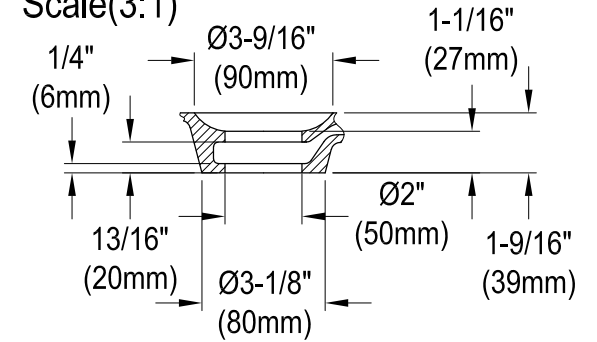
59" Freestanding Acrylic Tub with Drain

M12 x 60 (6 pcs)



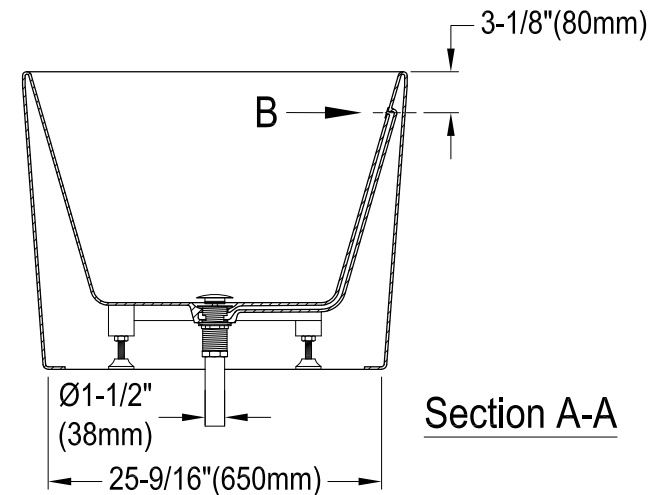
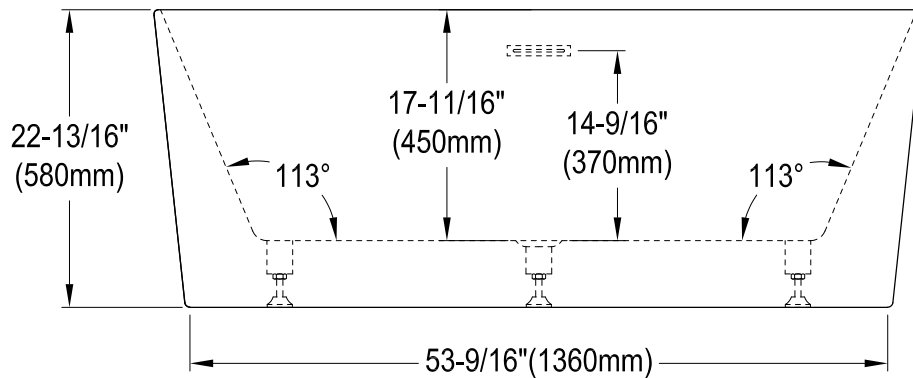
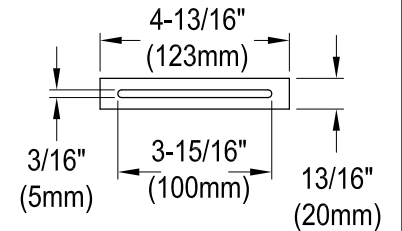
## Drain Hole Size

Scale (3:1)



## View B

Scale (3:1)



Section A-A