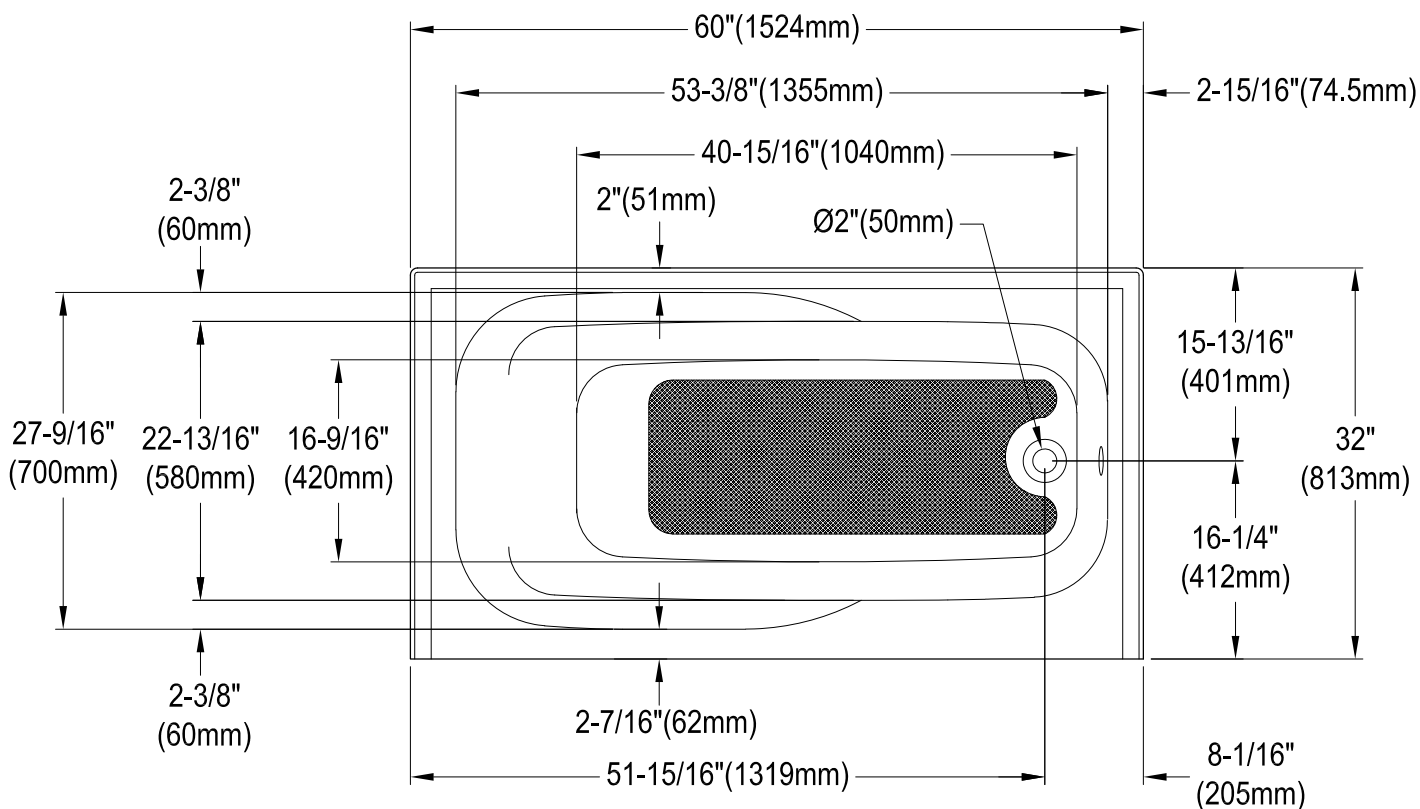


VTAM6031R21A

60" Acrylic Anti-Skid Alcove Tub with Right Hand Drain Hole



M10 x 60 (2 pcs)
M10 x 45 (2 pcs)

