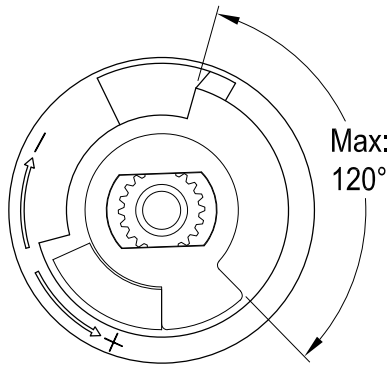


KBRP3631C

Cartridge

Adjusting Your Temperature-Limiting Ring



1. Remove handle and handle escutcheon
2. Once the handle has been removed, pull the pressure-limiting ring with pliers, note the original position of the ring.
3. Turn 5° to 10° in a clockwise direction, reinsert ring and check temperature, adjust accordingly.
4. If your water inlets are reversed, please see our back-to-back installation instructions.

