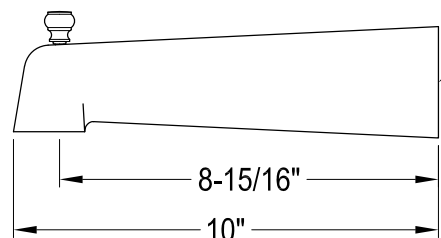
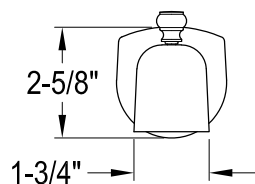
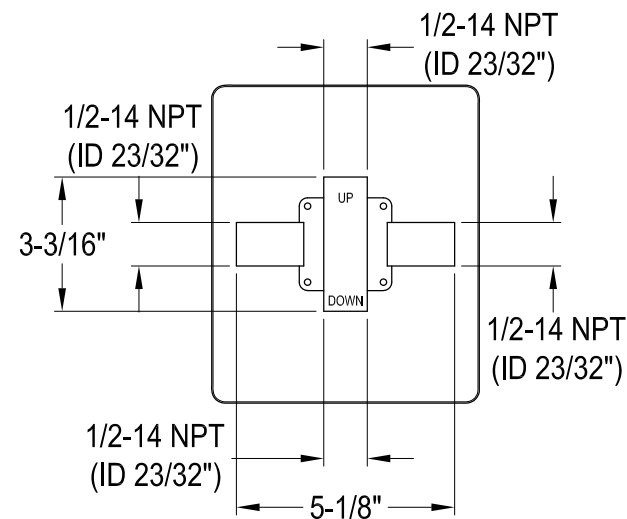
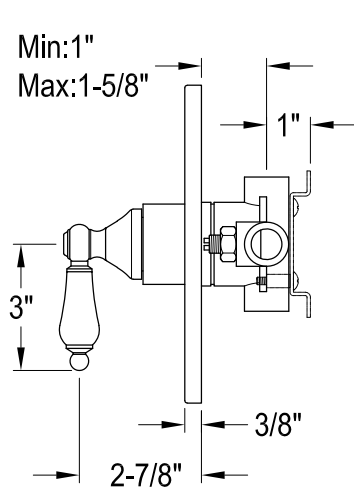
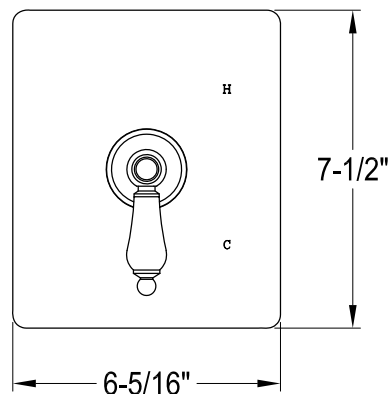
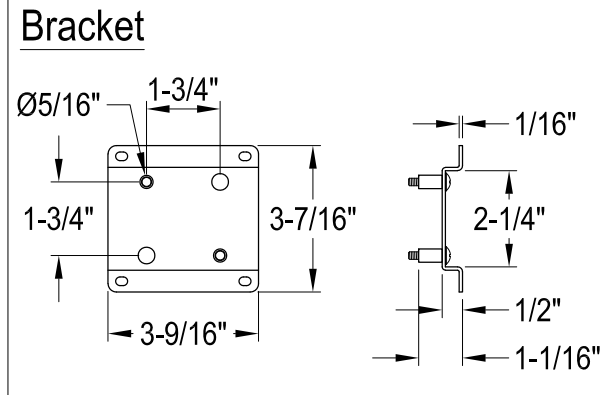
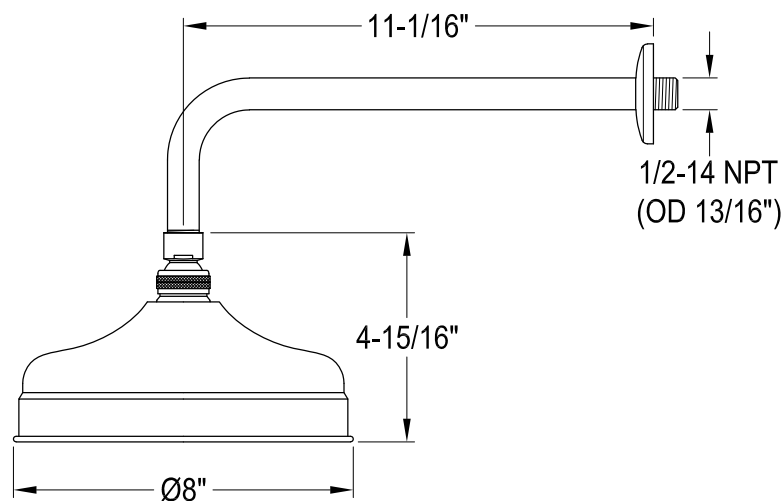
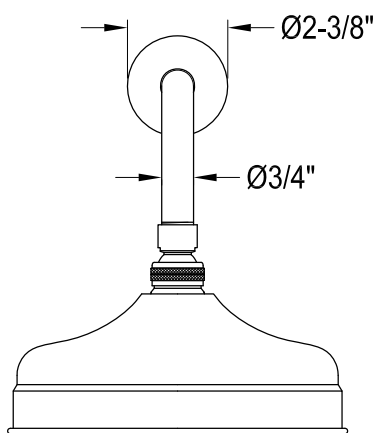


# KB6340,1,2,3,6,7,8PL

Single Handle Pressure Balanced Tub & Shower Faucet



Fit  $1/2\text{'}$  Copper Pipe (OD  $5/8\text{'}$ )  
or  $1/2\text{-}14\text{ NPT}$  (ID  $23/32\text{'}$ )  
or  $3/4\text{-}14\text{ NPT}$  (ID  $15/16\text{'}$ )