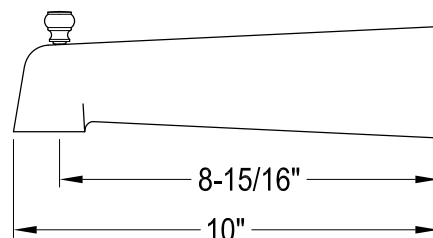
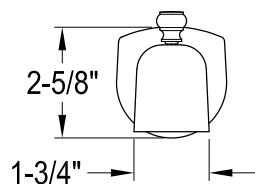
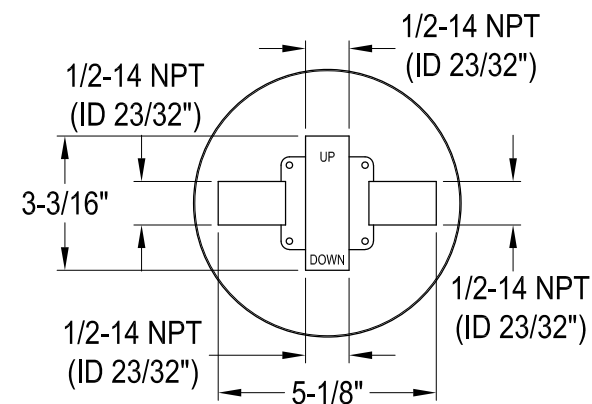
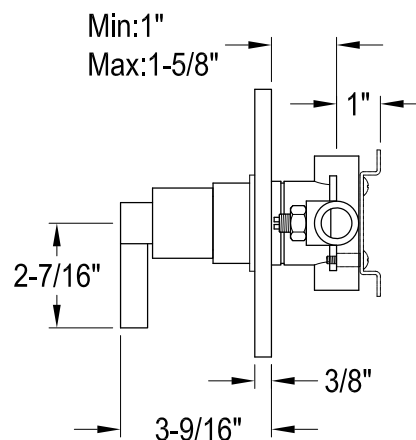
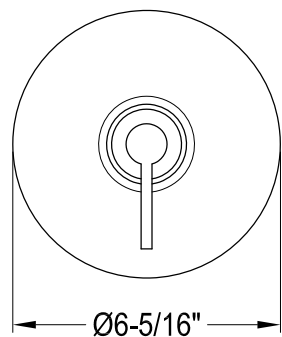
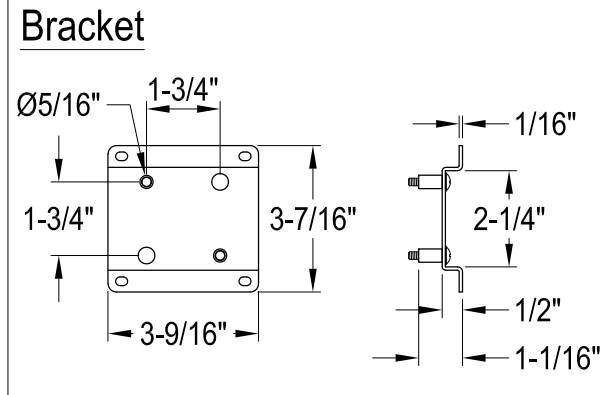
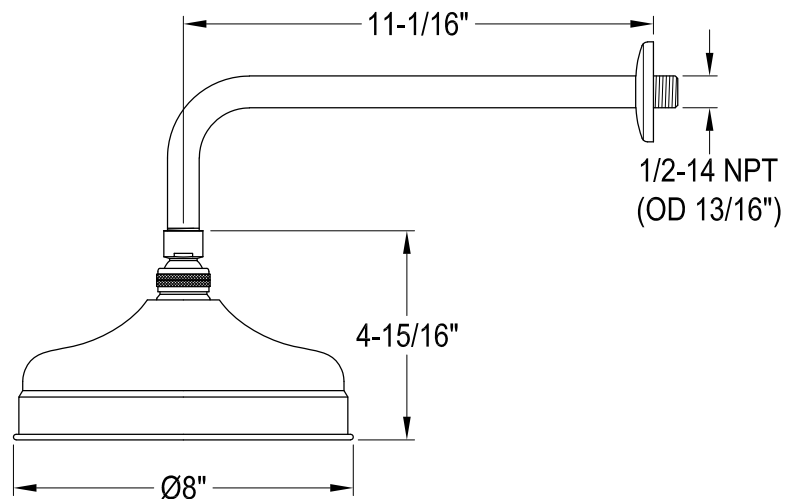
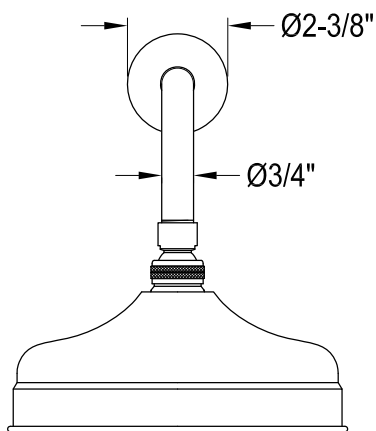


KB6330, 1, 2, 3, 6, 7, 8NDL

Single Handle Pressure Balanced Tub & Shower Faucet



Fit $1/2"$ Copper Pipe (OD $5/8"$)
or $1/2\text{-}14$ NPT (ID $23/32"$)
or $3/4\text{-}14$ NPT (ID $15/16"$)