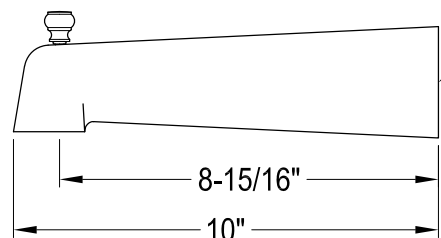
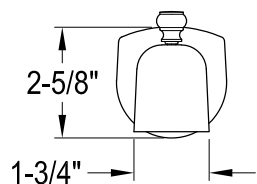
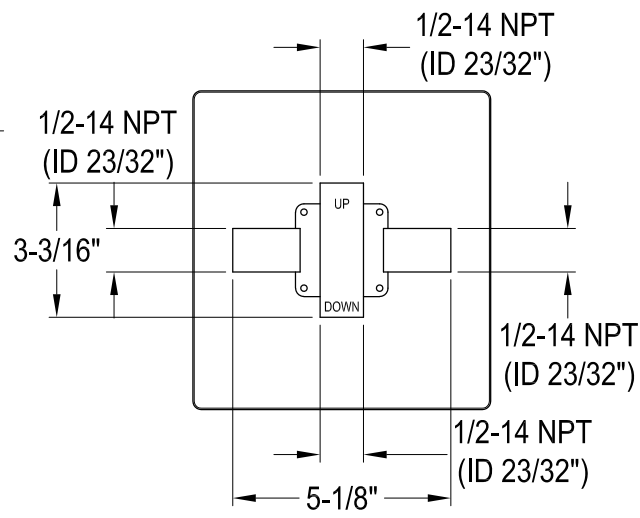
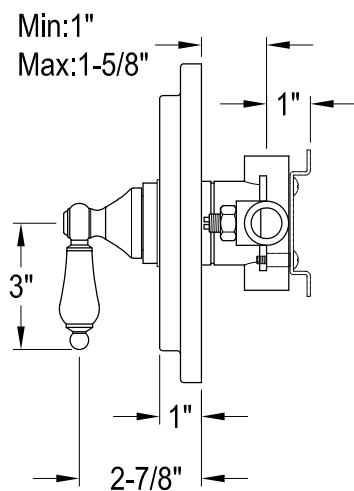
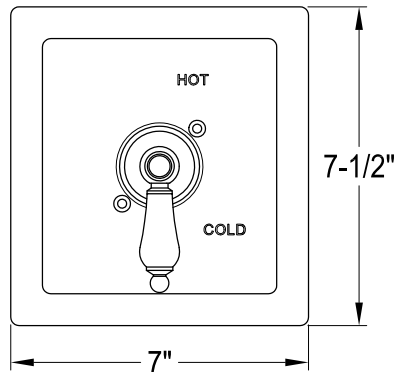
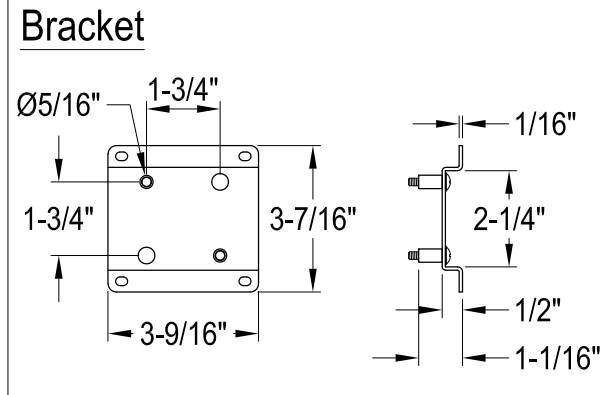
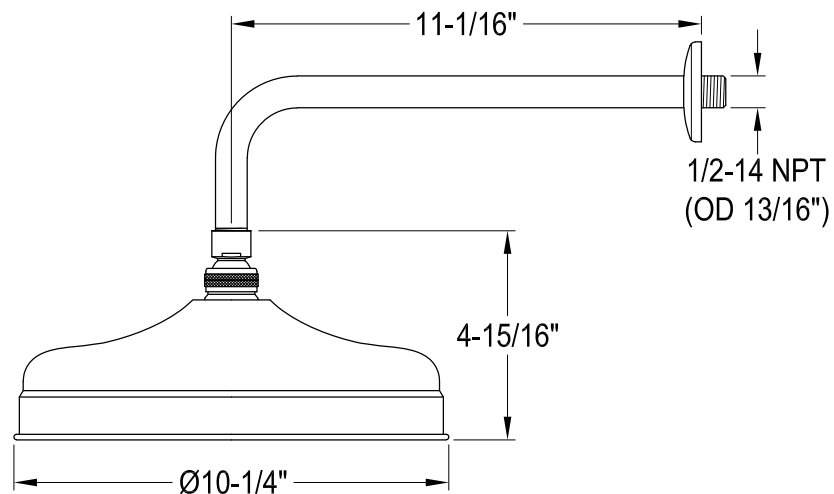
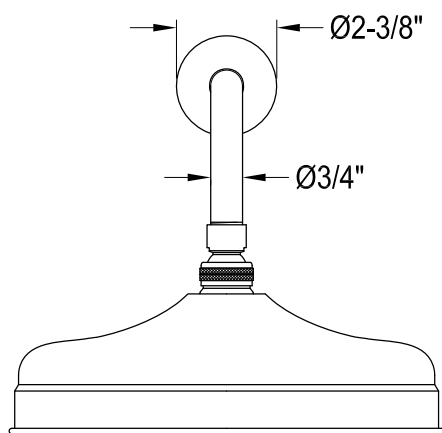


# KB6140,1,2,3,7,8PL

Single Handle Pressure Balanced Tub & Shower Faucet



Fit  $1/2"$  Copper Pipe (OD  $5/8"$ )  
or  $1/2\text{-}14$  NPT (ID  $23/32"$ )  
or  $3/4\text{-}14$  NPT (ID  $15/16"$ )