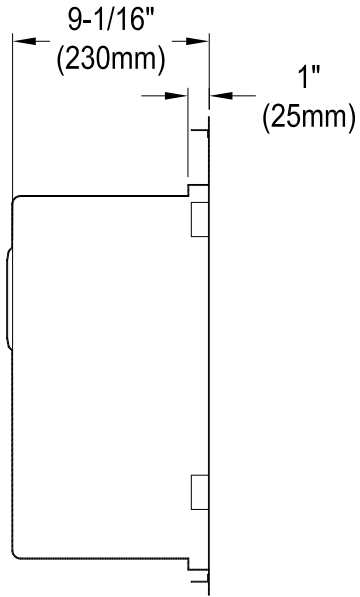


GKDS302292

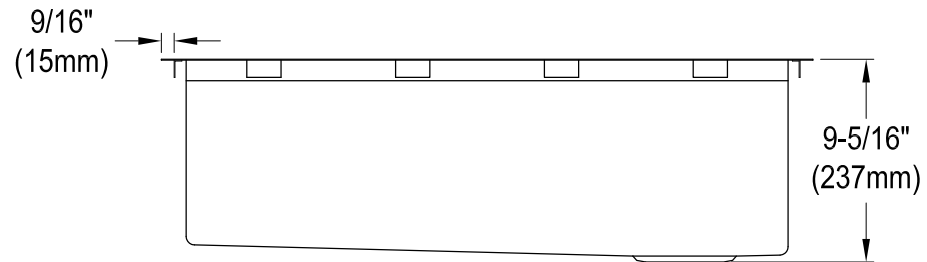
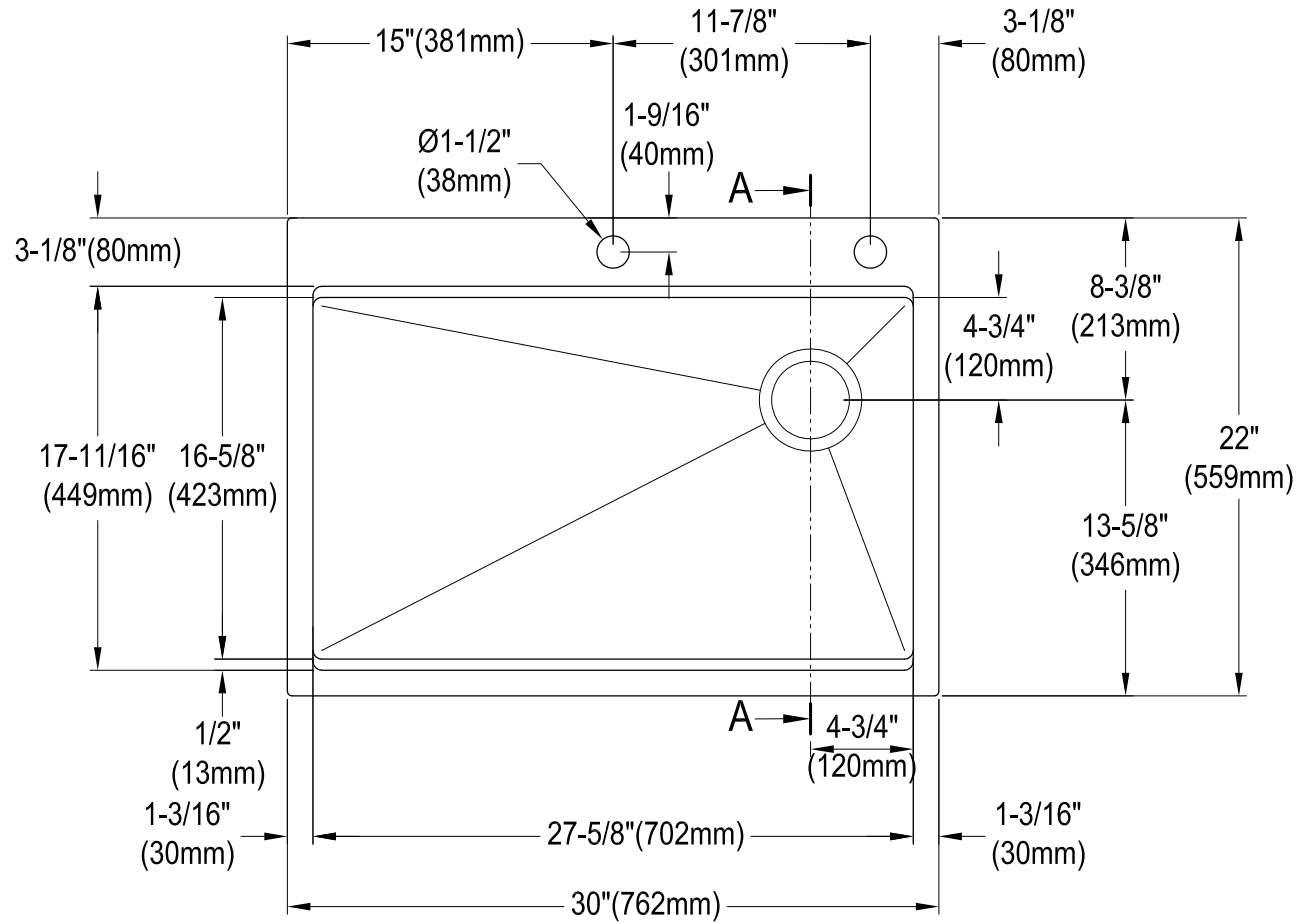
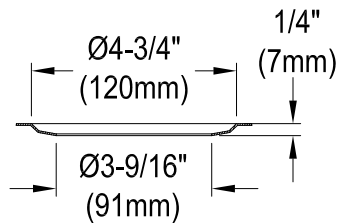
Stainless Steel Dual Mount Handmade Single Bowl Kitchen Sink, 2 Holes, (L)30" X (W)22" X (H)9-5/16"

Bowl Depth	SS Type	Thickness
9-1/16"	18-10 304 Grade	1.05mm(18G)



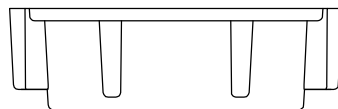
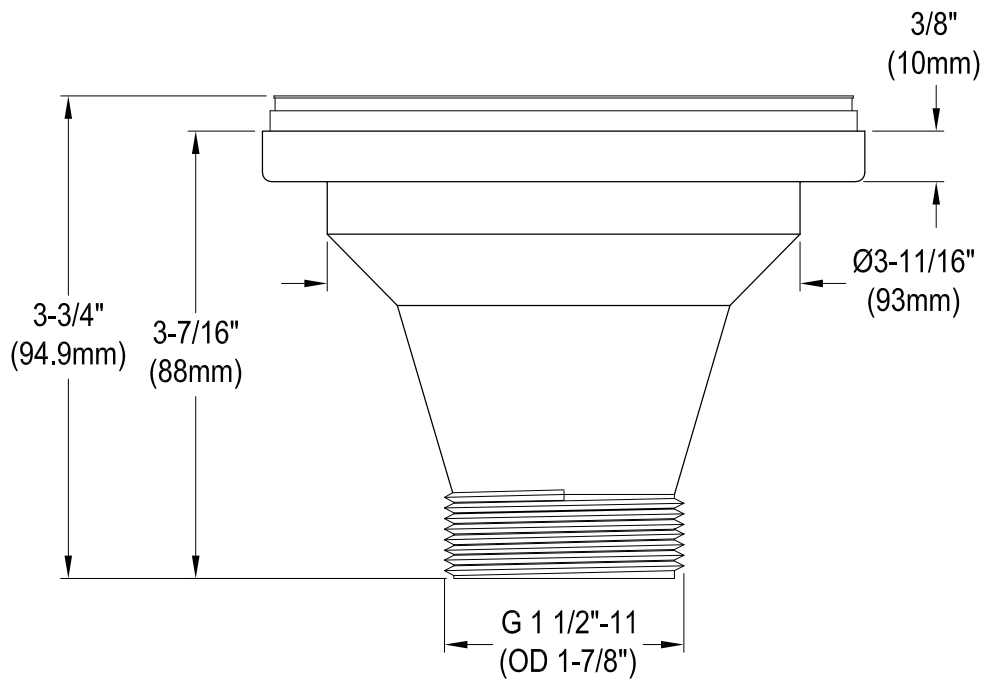
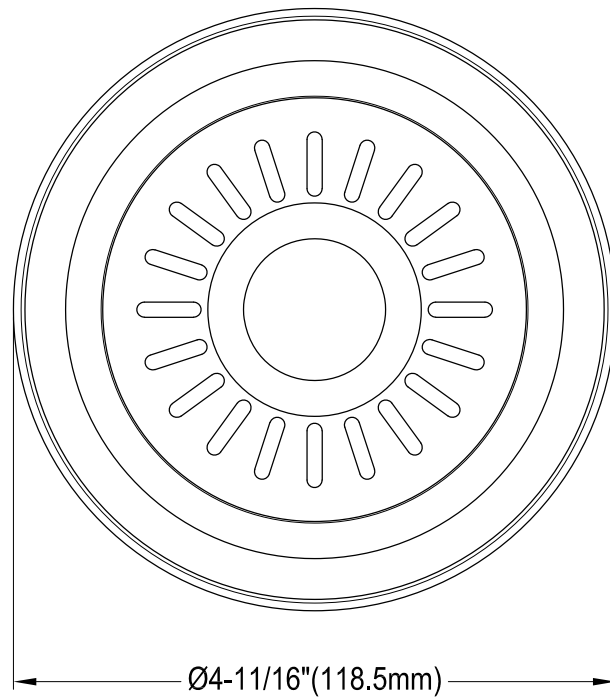
Section A-A

Drain Hole Size Scale (2:1)



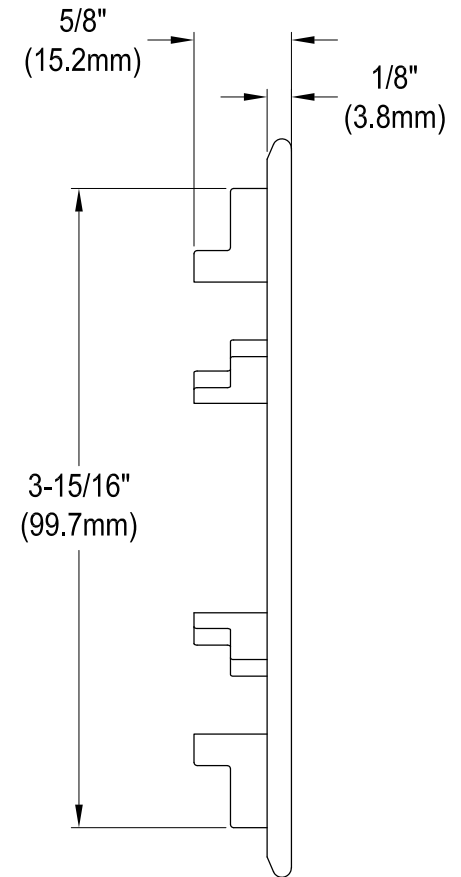
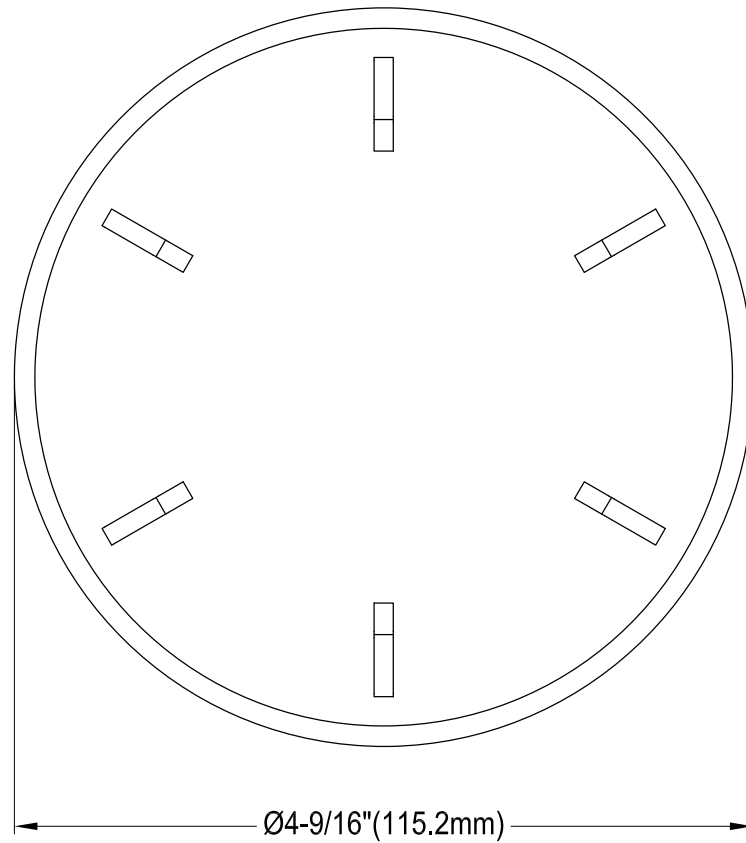
GKDS302292

Strainer



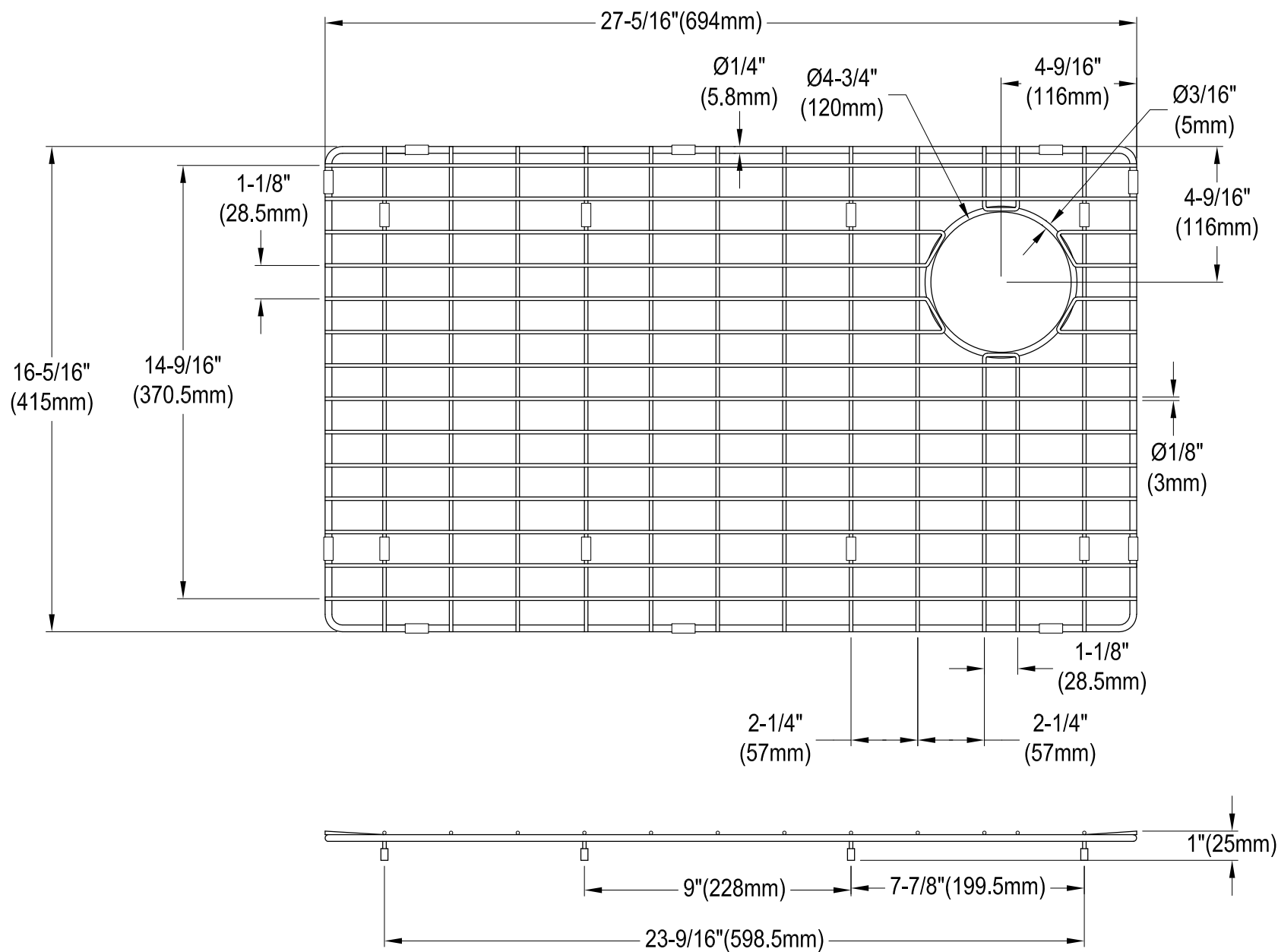
GKDS302292

Strainer Cover



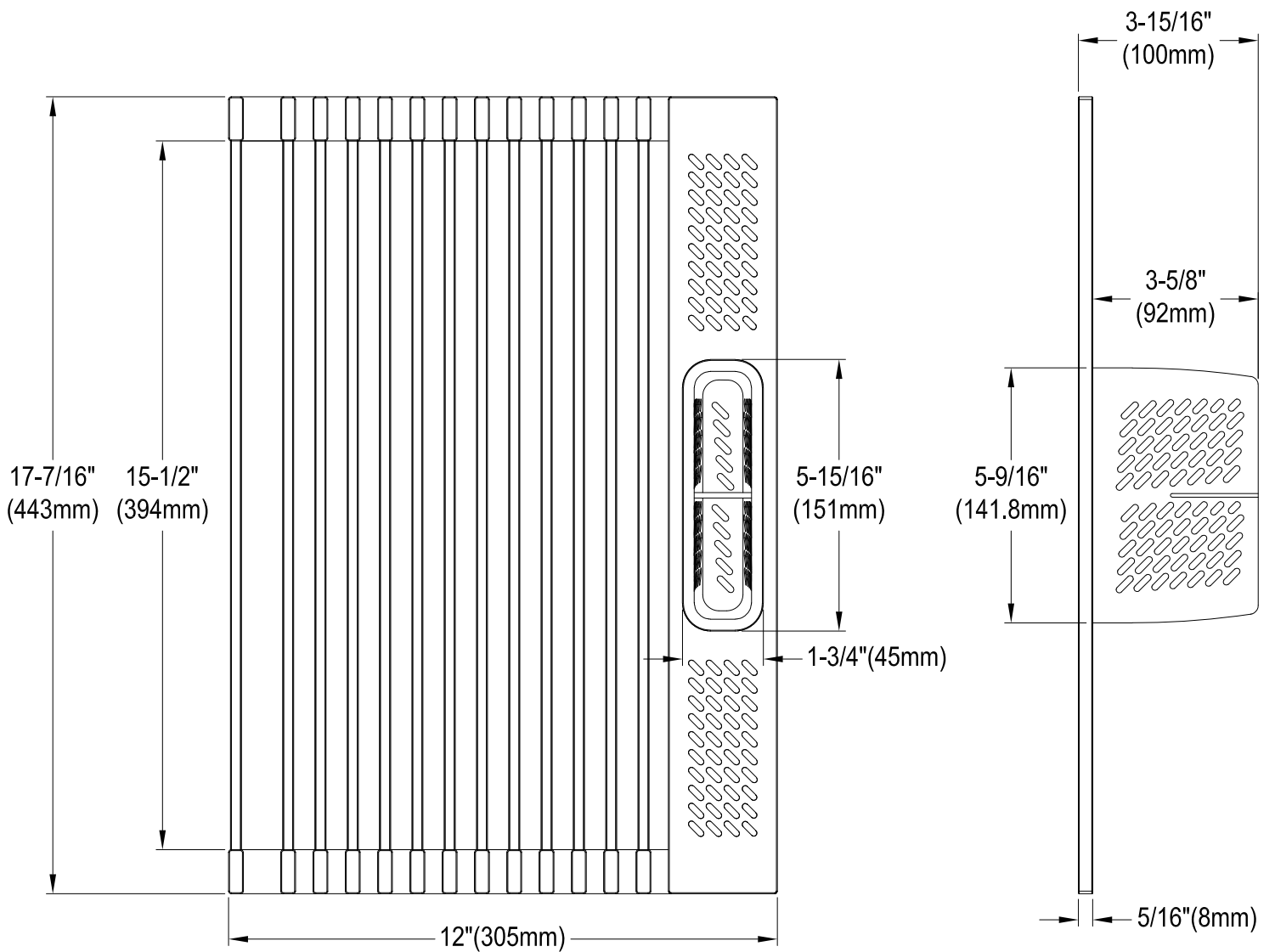
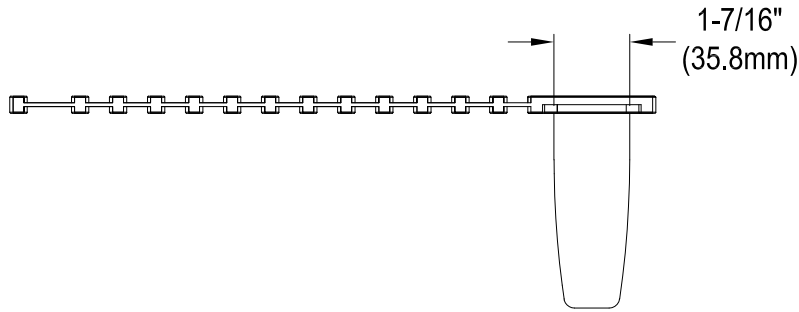
GKDS302292

Grid



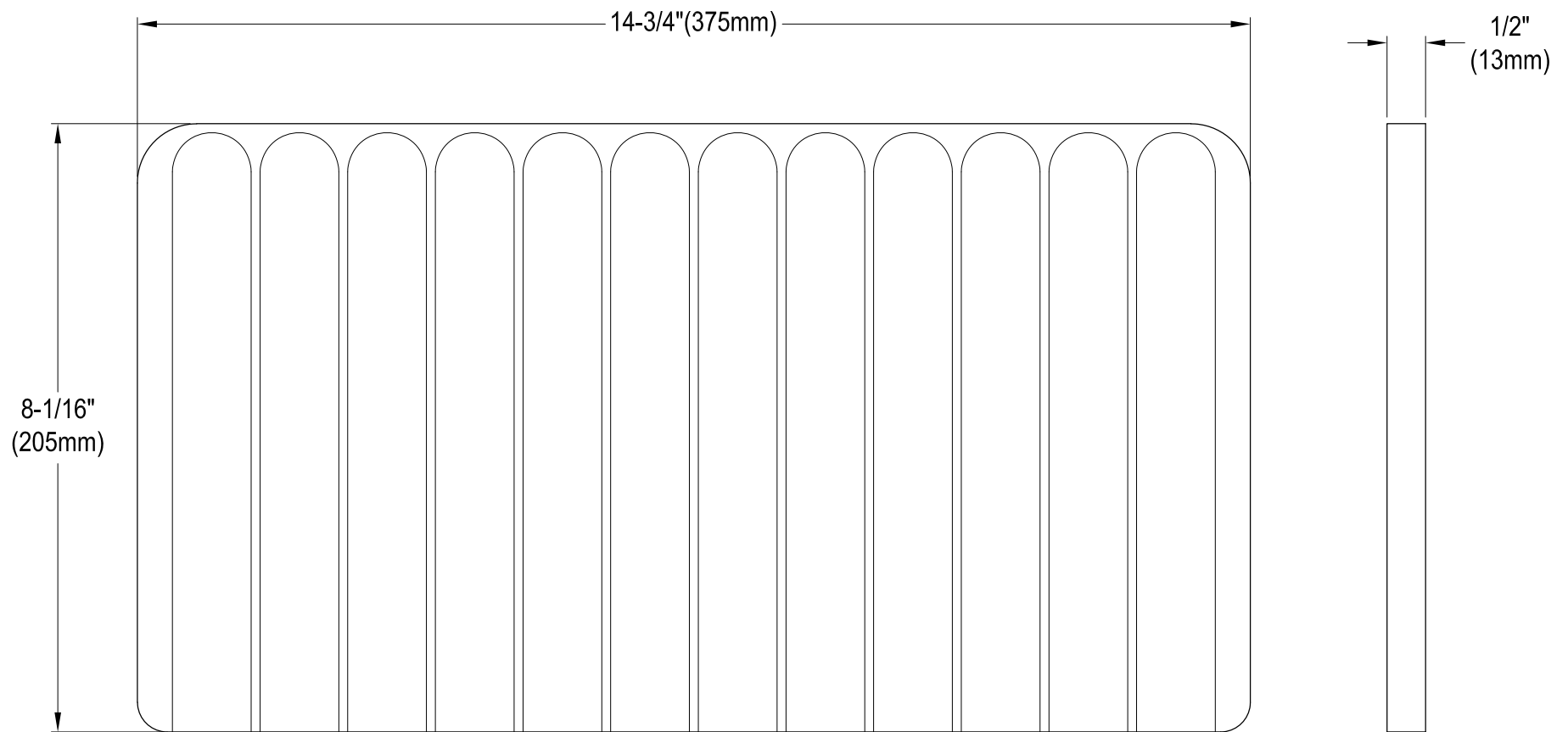
GKDS302292

Steel Roll-up Drying Rack with Silicone Coating



GKDS302292

Silicone Drying Mat



GKDS332292

Sapele Cutting Board

