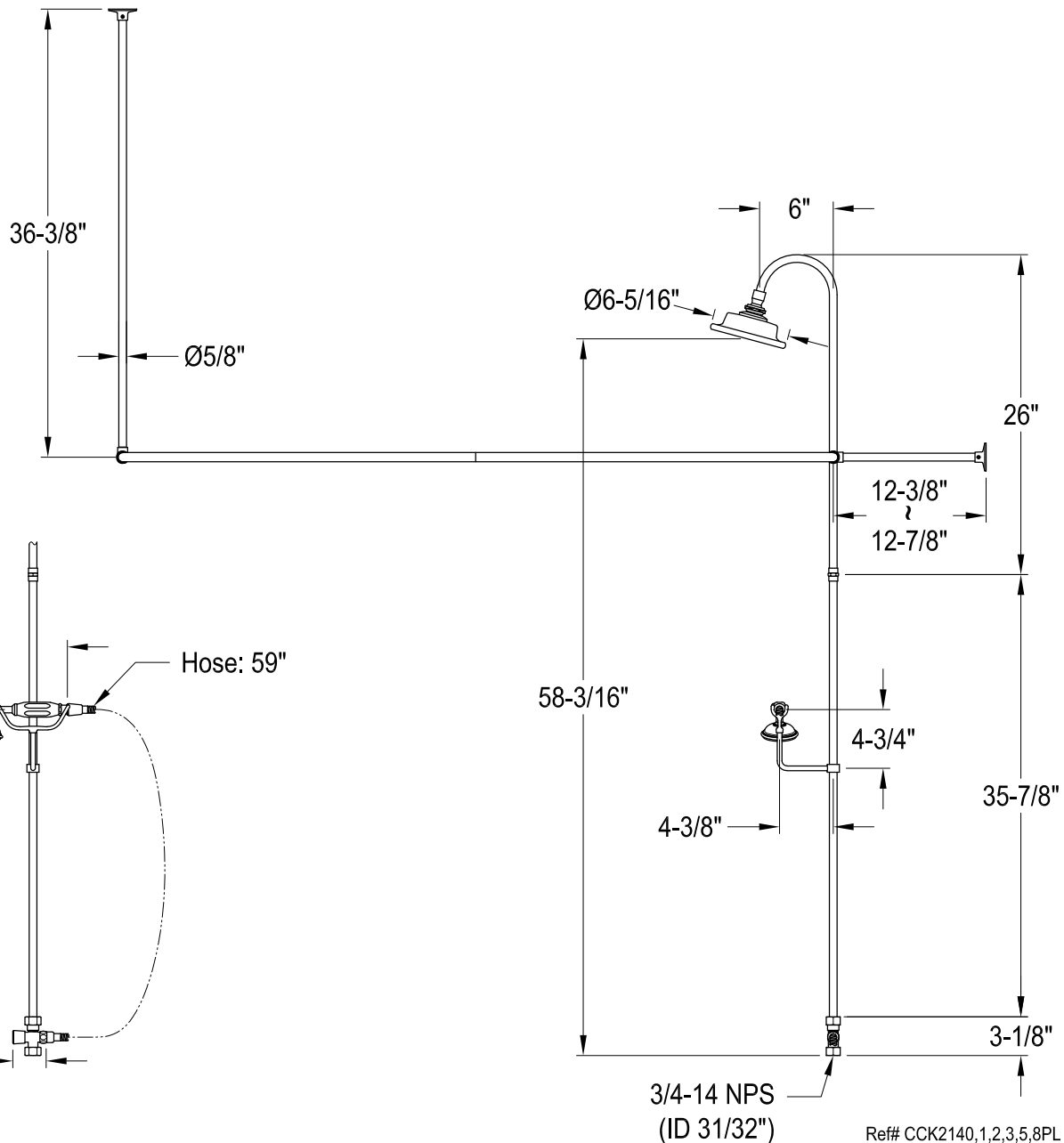
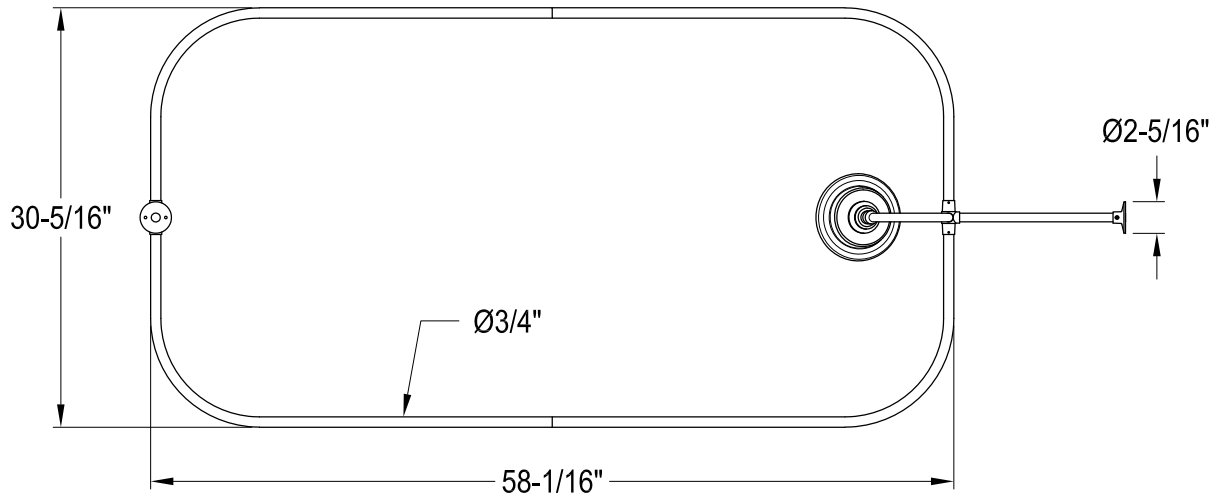


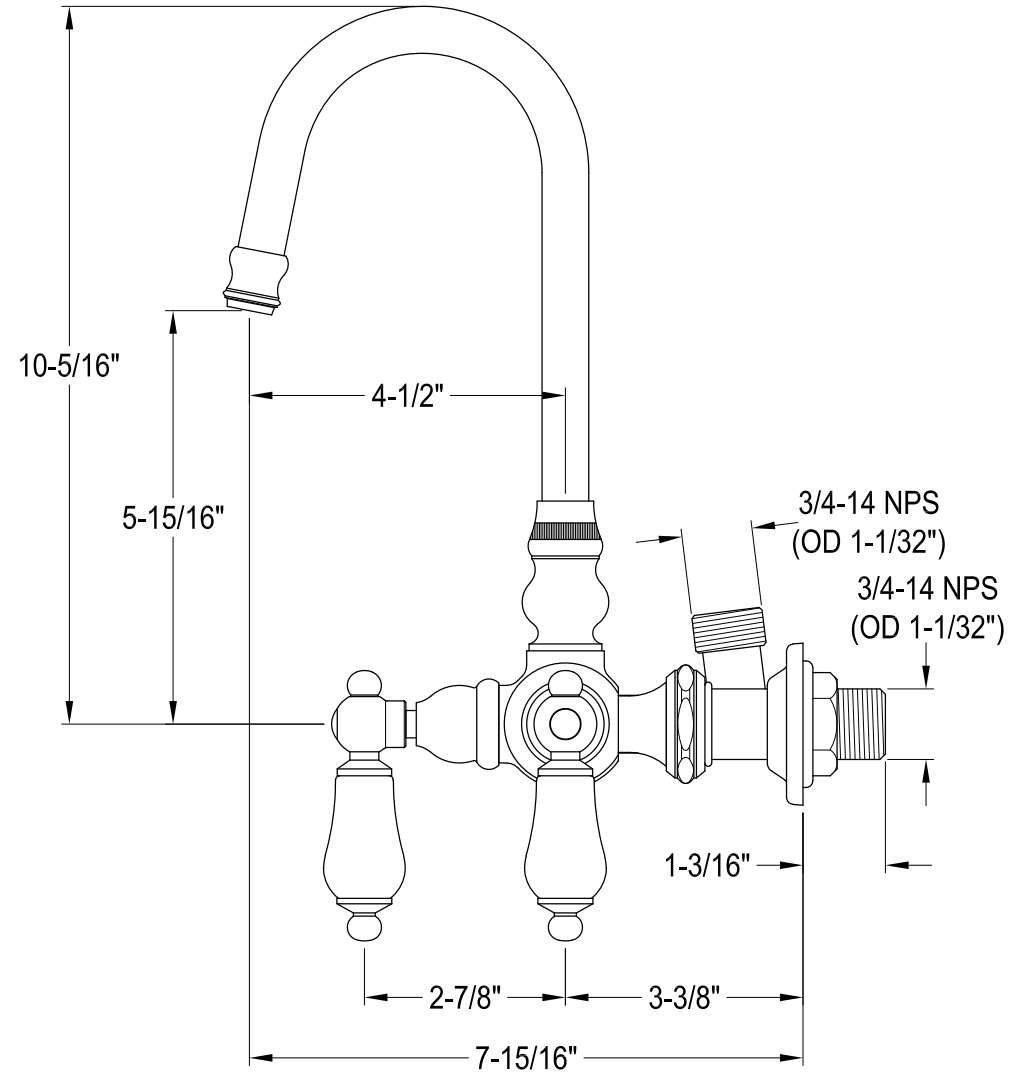
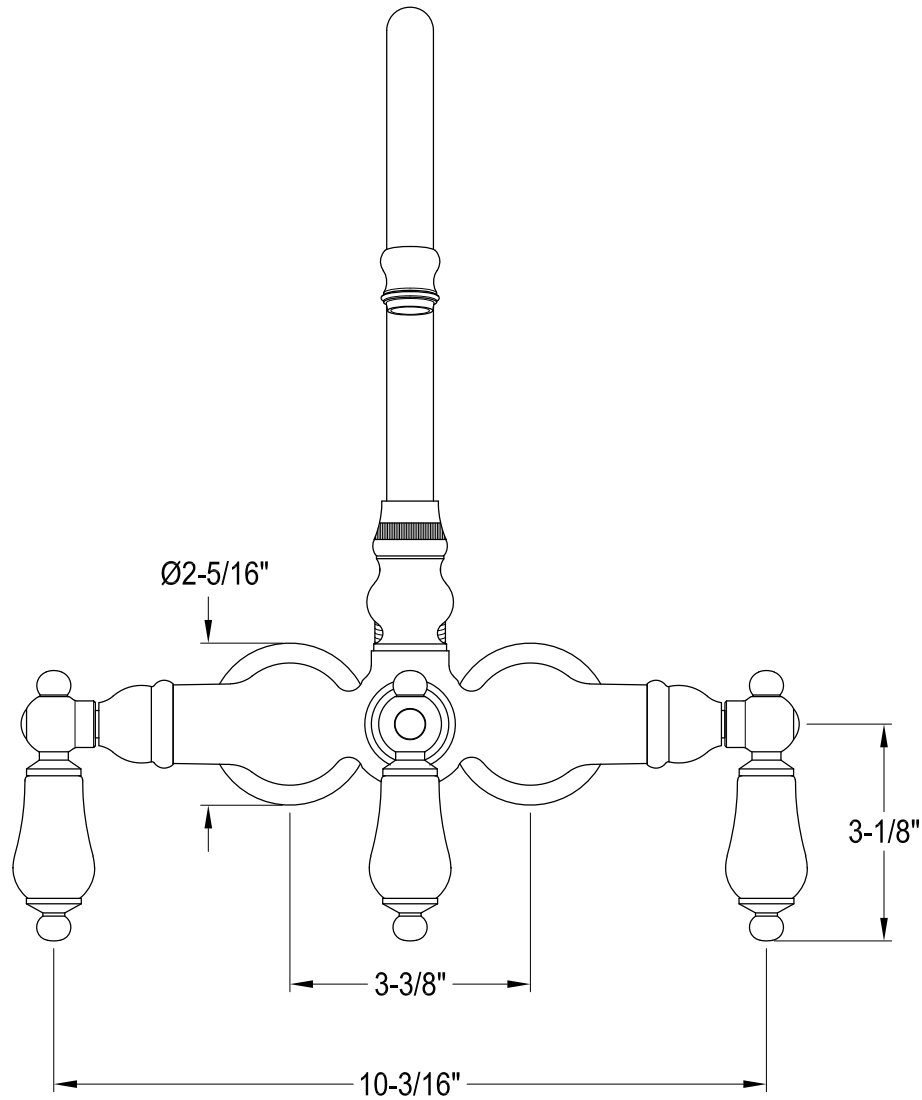
# CCK2140,1,2,3,5,8PL

## Shower Combo



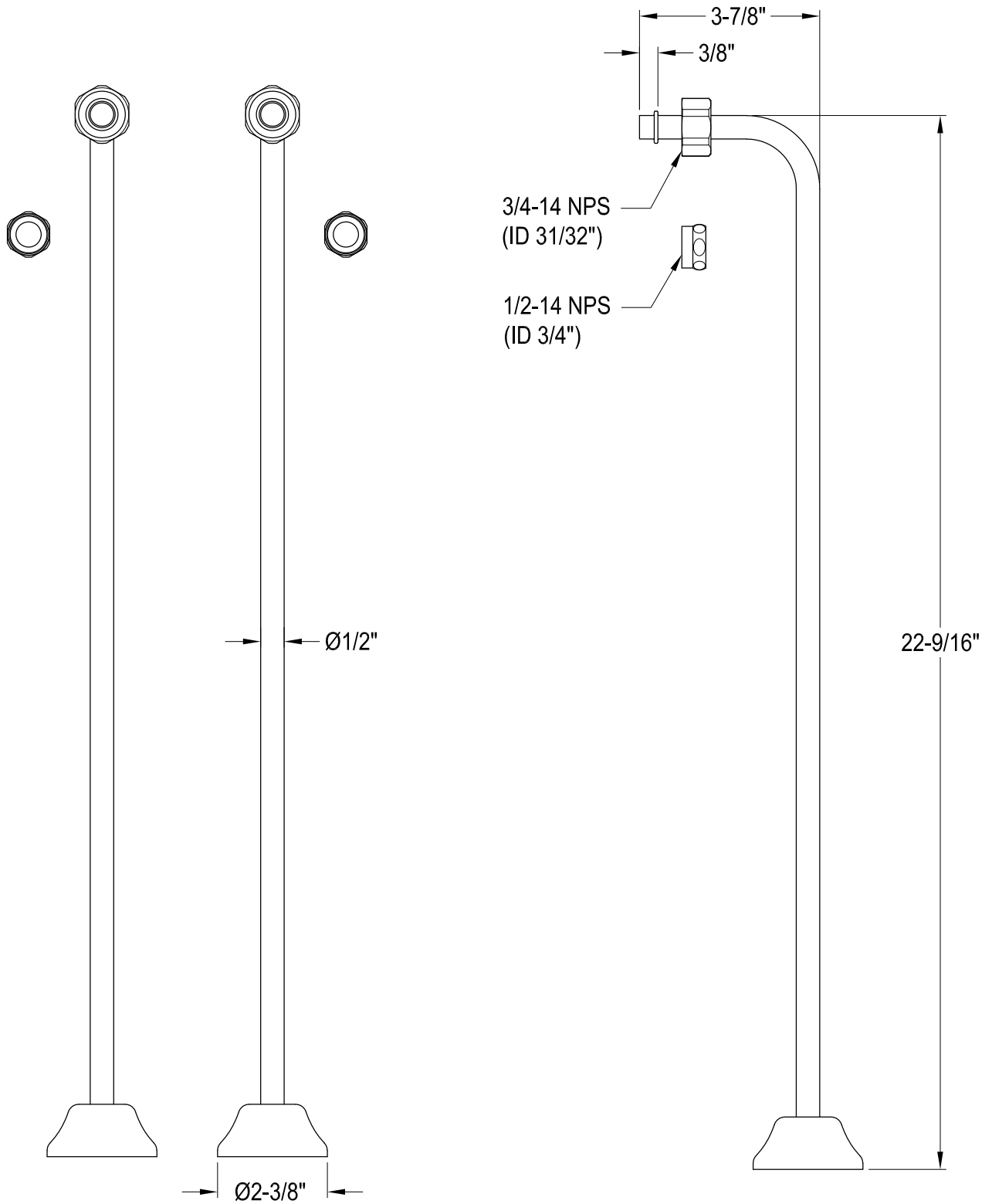
# CCK2140,1,2,3,5,8PL

Wall Mount Tub Filler with Hand Shower



# CCK2140,1,2,3,5,8PL

Single Offset Bath Supply



# CCK2140,1,2,3,5,8PL

Clawfoot Tub Waste & Overflow Drain, 20 Gauge

