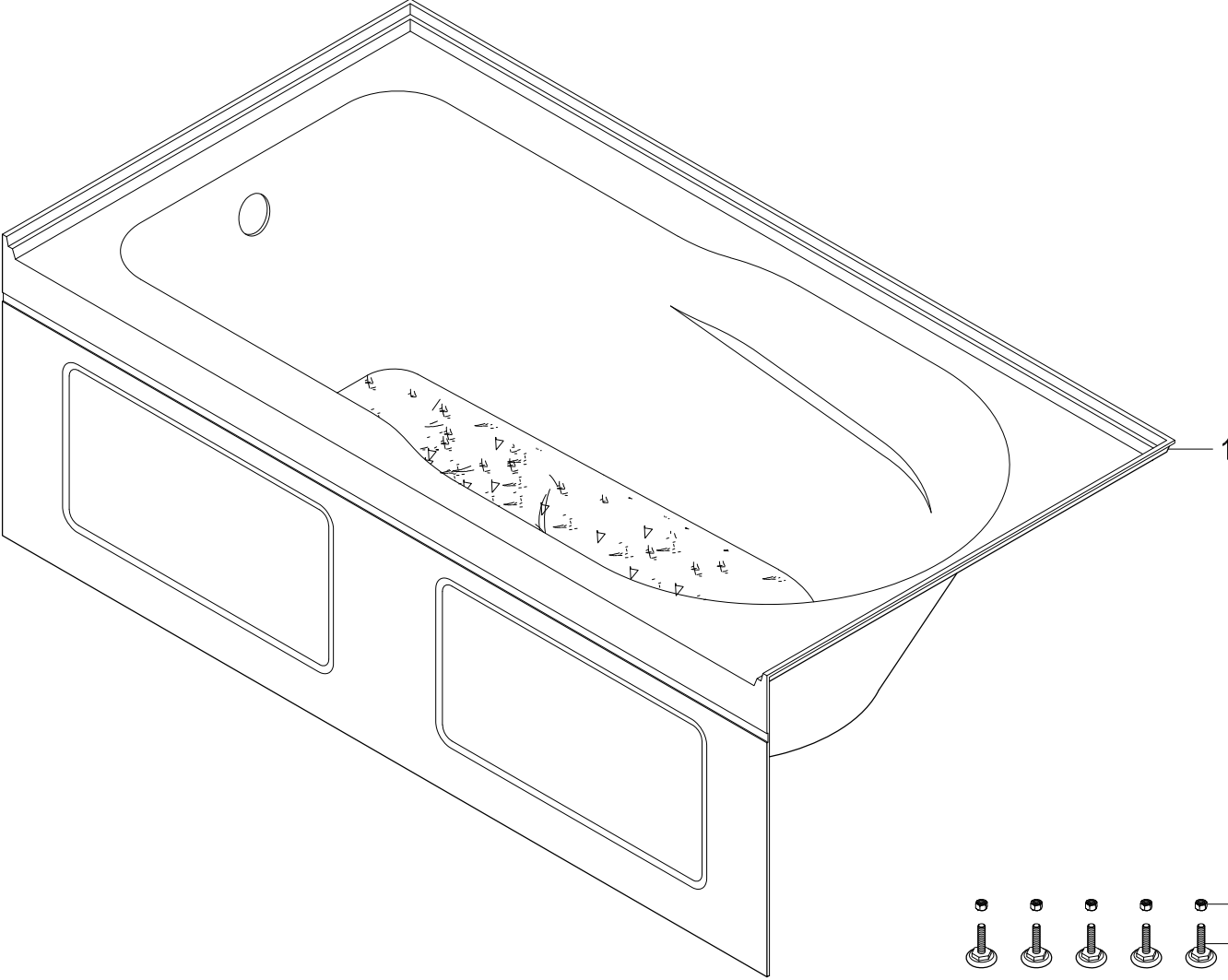


KVTAP603220CL0,1,7,8

60" Acrylic Anti-Skid Alcove Tub with Left Hand Drain Hole

| Part # | QTY |
|--------|-----|
| 1. | 1 |
| 2. | 5 |
| 3. | 5 |



KVTAP603220CL0,1,7,8

60" Sliding Shower Door with 5/16" Thick Tempered Glass, Right Sliding

| Part # | QTY | Part # | QTY |
|--------|-----|--------|-----|
| 21. | 1 | 1. | 1 |
| 22. | 1 | 2. | 8 |
| 23. | 1 | 3. | 8 |
| 24. | 3 | 4. | 1 |
| | | 5. | 2 |
| | | 5-1. | 2 |
| | | 5-2. | 2 |
| | | 5-3. | 2 |
| | | 5-4. | 2 |
| | | 5-5. | 2 |
| | | 5-6. | 2 |
| | | 6. | 1 |
| | | 6-1. | 1 |
| | | 6-2. | 4 |
| | | 6-3. | 2 |
| | | 6-4. | 2 |
| | | 7. | 1 |
| | | 8. | 2 |
| | | 8-1. | 2 |
| | | 8-2. | 2 |
| | | 8-3. | 4 |
| | | 9. | 2 |
| | | 9-1. | 2 |
| | | 9-2. | 2 |
| | | 9-3. | 4 |
| | | 10. | 2 |
| | | 11. | 1 |
| | | 12. | 2 |
| | | 12-1. | 2 |
| | | 12-2. | 2 |
| | | 12-3. | 2 |
| | | 12-4. | 2 |
| | | 12-5. | 2 |
| | | 13. | 2 |
| | | 13-1. | 2 |
| | | 13-2. | 2 |
| | | 13-3. | 2 |
| | | 13-4. | 2 |
| | | 13-5. | 2 |
| | | 13-6. | 2 |
| | | 14. | 1 |
| | | 14-1. | 1 |
| | | 14-2. | 1 |
| | | 14-3. | 1 |
| | | 14-4. | 4 |
| | | 14-5. | 1 |
| | | 14-6. | 1 |
| | | 15. | 1 |
| | | 16. | 1 |
| | | 17. | 1 |
| | | 18. | 2 |
| | | 19. | 2 |
| | | 20. | 1 |
| | | 20-1. | 1 |
| | | 20-2. | 2 |

