

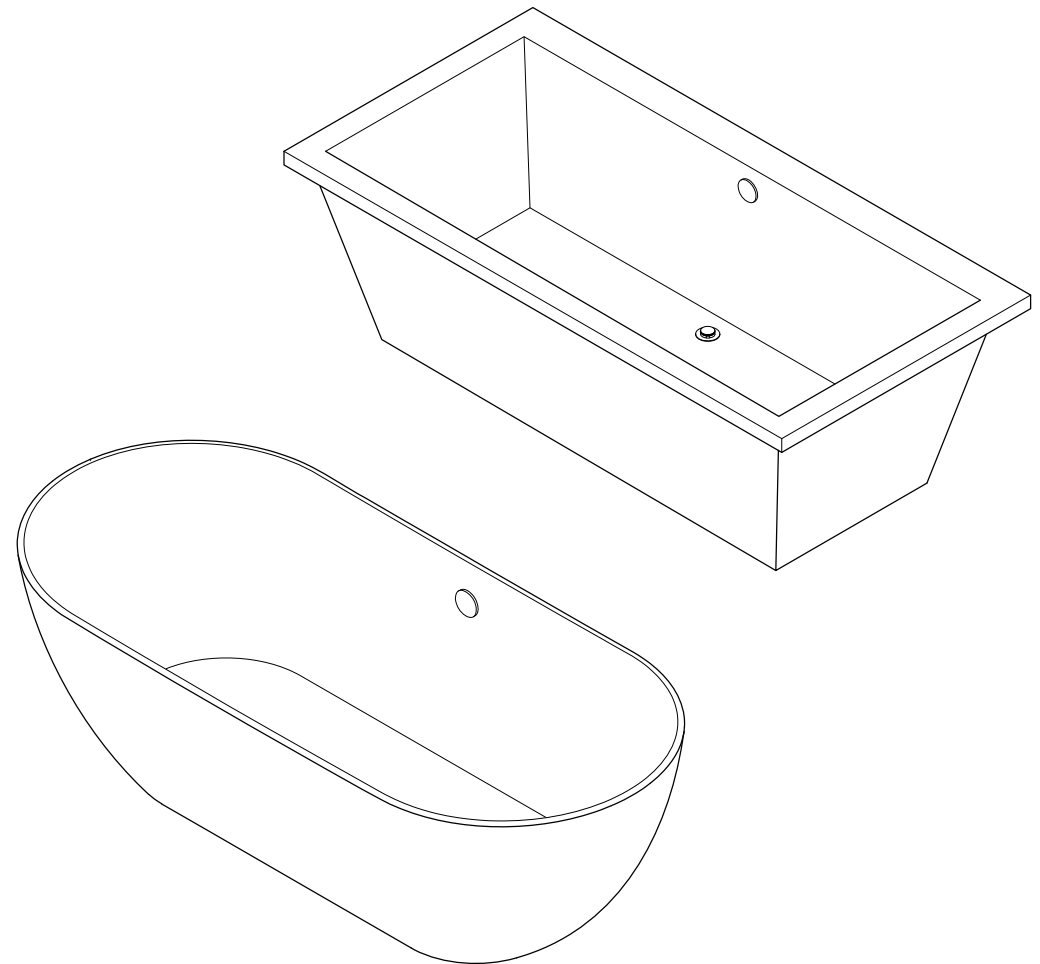
Important

Before you begin Installation please read the following instructions, observe all local plumbing and building codes.

- Check area where tub will be installed to ensure that it is leveled and structurally sound.
- Please unwrap the tub and check it carefully for any damage that may have occurred during transportation.
- Check that all parts are included.
- If you have any missing parts, damage is found or have any questions regarding the installation process contact customer service at (877)-252-7277.
- Store bathtub in a safe place until you begin installation to avoid damage to the tub's surface.
- No claims for damages or blemishes will be accepted once the tub has been installed.
- We recommend that the installation of this tub be done by a qualified licensed professional.
- Because of its weight and volume we recommend that the installation of this tub be done with the help of at least one other person, a fall even what may seem like a minor one may result in cracking of the tub, moving straps and rubber gripped gloves are recommended.
- These Installation instructions do not include details of waste connections, the final details should be determined by your contractor

Aqua Eden

ELEMENTS OF DISTINCTIVE STYLE



www.kingstonbrass.com
TOLL-FREE CUSTOMER SERVICE: 1-877-2-KBRASS
TECHNICAL SUPPORT E-mail: service@kingstonbrass.com
12775 Reservoir Street, Chino, CA 91710

NOTICE

Failure to follow all directions may cause leaks
which may result in water damage



WARNING

Lifting hazard.

Single person lift could
cause injury.
Use assistance when
moving or lifting.

Aqua Eden

ELEMENTS OF DISTINCTIVE STYLE

INSTALLATION INSTRUCTIONS

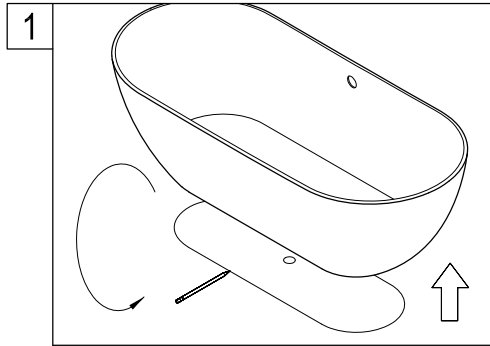
Acrylic Tub with or without Drain

Caution

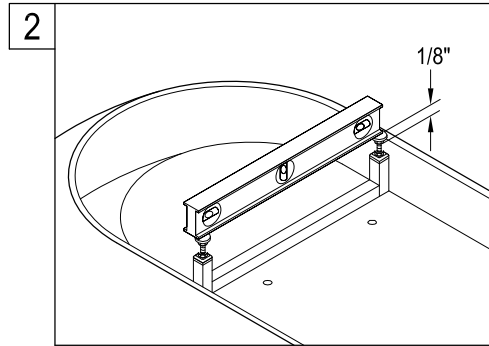
This bathtub is heavy. Get help lifting and moving this tub. Read all instructions thoroughly before starting the installation.

Important Points to Remember :

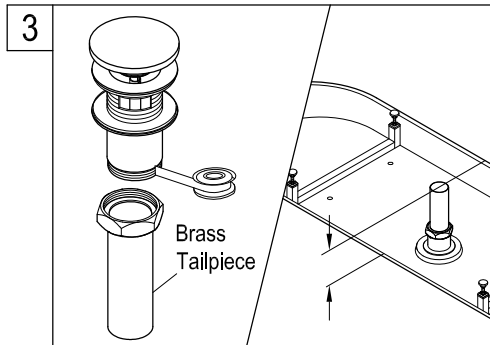
1. Provide adequate floor support.
2. Make sure the subfloor is level. Provide drain access from below. Provide access to all plumbing connections. Observe local building and plumbing codes.



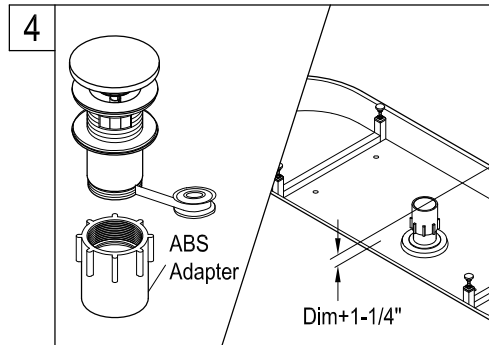
1. Position the tub at the desired location, with a pencil mark the perimeter of the tub, also mark the location of where the tub drain will be situated, remove tub and place upside down on a blanket or piece of cardboard.



2. Adjust feet so that they protrude 1/8" below the level of the tub, you can accomplish this by placing a level or a straight piece of lumber across the width of the tub.



3. If you have access to the tub drain from below the floor, apply Teflon tape to the drain and thread the included tailpiece, measure the distance that it protrudes from the bottom of the tub and rough in your drain pipe accordingly.

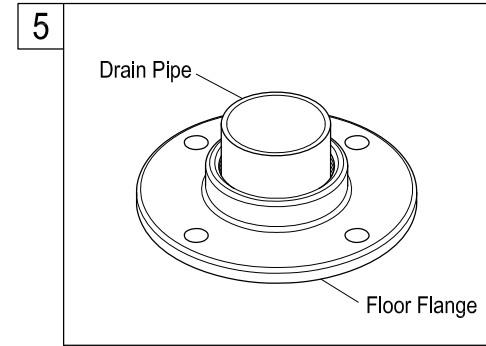
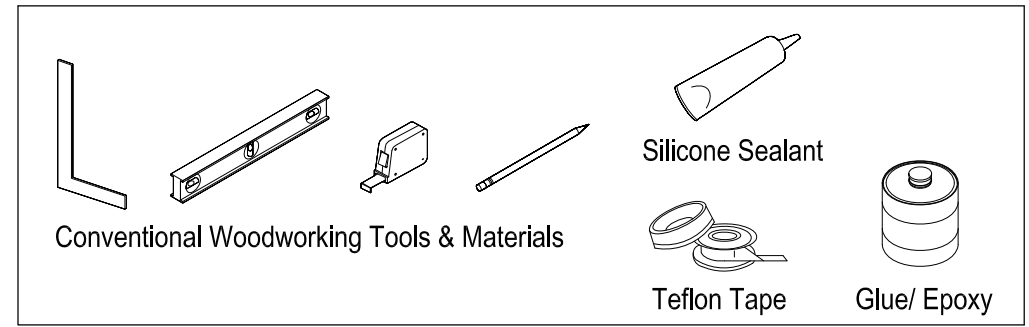


4. If you do not have access to the tub from below the floor, your tub includes an ABS adapter for a 1-1/2" drain, apply Teflon tape to the threading on the drain and install the tub drain adapter, tighten by hand until secure, measure the distance between the bottom of the drain adapter and the floor, add 1-1/4" that should give you the height of the drain pipe, you can measure the distance to the floor by placing a piece of lumber across the bottom of the tub and using that as your guide to determine the floor level.

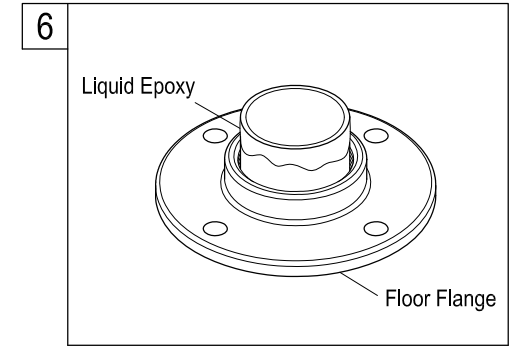
Cleaning

Clean with a damp cloth only.
Avoid using metal or abrasive polishes.

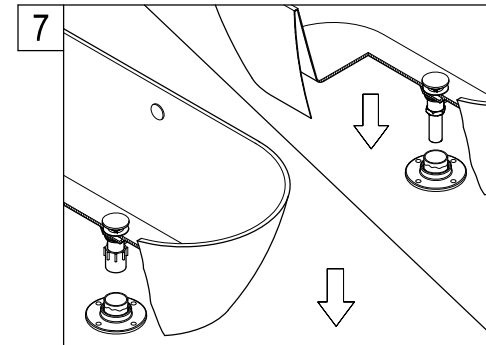
Need Tools:



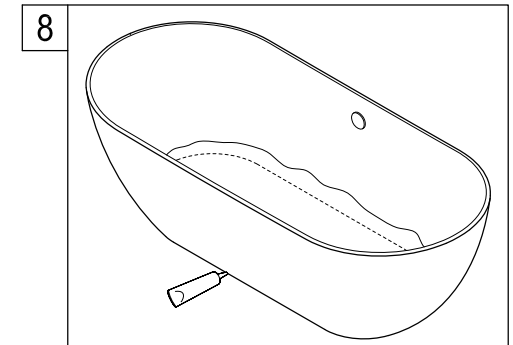
5. Secure floor flange to the area around the drain, this will serve as additional reinforcement to keep your tub drain in place in the event of any accidental impact on the tub.



6. Apply liquid epoxy or a professional grade ABS glue or JB weld epoxy to the drain pipe coming from the floor, apply as per manufacturer's instructions.



7. After Glue/ epoxy has been applied with the help of two or more people slowly pick up the tub and align the tub drain adapter to the drainage pipe, set tub in place. If you installed the tailpiece to your drain, with the help of two or more people slowly pick up the tub and align the tailpiece to the drainage pipe, set tub in place, from below secure tailpiece to your drain pipe.



8. Close the drain and fill tub with 2" to 5" with water, while inspecting the connections from below the floor drain the tub and check for leaks. Apply caulking around the perimeter as needed, clean excess caulking.

KINGSTON

KITCHEN & BATH

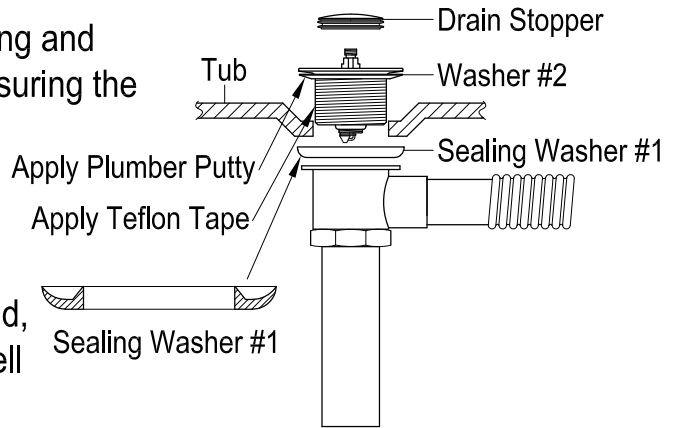
INSTALLATION INSTRUCTIONS Tub Drain & Round Overflow Trim

TOOLS REQUIRED

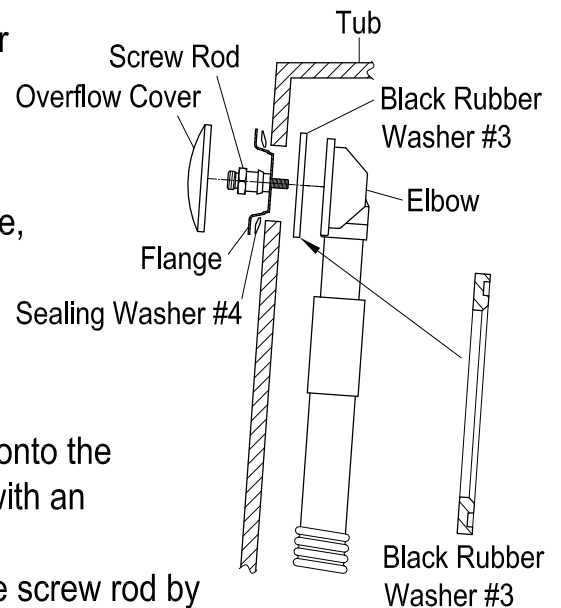


Instructions:

1. Remove the Old Drain Stopper: Unthread the stopper by turning counterclockwise.
2. Remove the Old Drain: Use either a 4-way or dumbbell wrench to remove the old drain, as well as the sealing washer located beneath the tub.
3. Clean the Area: Clean the area around the drain opening and place the new sealing washer (#1) beneath the tub, ensuring the lips are facing upward.
4. Prepare for Installation: Insert washer (#2) and apply plumber's putty under the new drain flange. Additionally, wrap Teflon tape around the threads.
5. Install the New Drain: Carefully thread the drain by hand, then finish tightening with the 4-way wrench or dumbbell wrench. Remove any excess putty around the flange.



6. Remove the Old Overflow Cover: Unthread the overflow cover by turning it counterclockwise.
7. Loosen the Screw Rod: Using an adjustable wrench, turn the screw rod counterclockwise to loosen it.
8. Remove Components: Take out the screw rod, overflow flange, and sealing rubber washers from the back of the tub.
9. Install the New Washer: Place the new black rubber washer on the overflow drain elbow, ensuring it makes full and even contact with the sealing surface.
10. Attach the Flange: Insert the flange and silicone washer (#4) onto the screw rod. Thread the screw rod onto the elbow and tighten with an adjustable wrench, being careful not to over-tighten.
11. Install the Overflow Cover: Thread the overflow cover onto the screw rod by turning it clockwise.



NOTICE

Failure to follow all directions may cause leaks which may result in water damage

www.kingstonbrass.com

TOLL-FREE CUSTOMER SERVICE: 1-877-2-KBRASS

TECHNICAL SUPPORT E-mail: service@kingstonbrass.com

12775 Reservoir Street, Chino, CA 91710