

KINGSTON

KITCHEN & BATH

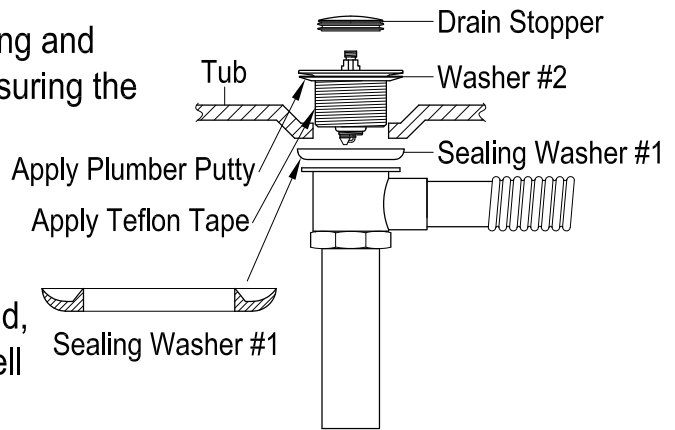
INSTALLATION INSTRUCTIONS Tub Drain & Round Overflow Trim

TOOLS REQUIRED

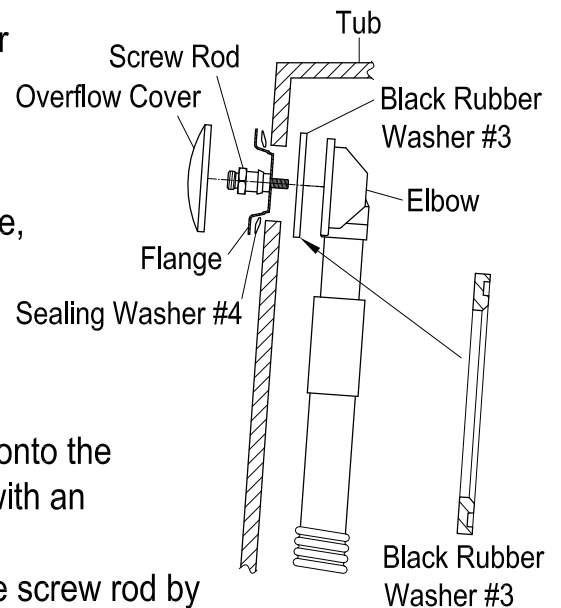


Instructions:

1. Remove the Old Drain Stopper: Unthread the stopper by turning counterclockwise.
2. Remove the Old Drain: Use either a 4-way or dumbbell wrench to remove the old drain, as well as the sealing washer located beneath the tub.
3. Clean the Area: Clean the area around the drain opening and place the new sealing washer (#1) beneath the tub, ensuring the lips are facing upward.
4. Prepare for Installation: Insert washer (#2) and apply plumber's putty under the new drain flange. Additionally, wrap Teflon tape around the threads.
5. Install the New Drain: Carefully thread the drain by hand, then finish tightening with the 4-way wrench or dumbbell wrench. Remove any excess putty around the flange.



6. Remove the Old Overflow Cover: Unthread the overflow cover by turning it counterclockwise.
7. Loosen the Screw Rod: Using an adjustable wrench, turn the screw rod counterclockwise to loosen it.
8. Remove Components: Take out the screw rod, overflow flange, and sealing rubber washers from the back of the tub.
9. Install the New Washer: Place the new black rubber washer on the overflow drain elbow, ensuring it makes full and even contact with the sealing surface.
10. Attach the Flange: Insert the flange and silicone washer (#4) onto the screw rod. Thread the screw rod onto the elbow and tighten with an adjustable wrench, being careful not to over-tighten.
11. Install the Overflow Cover: Thread the overflow cover onto the screw rod by turning it clockwise.



NOTICE

Failure to follow all directions may cause leaks which may result in water damage

www.kingstonbrass.com

TOLL-FREE CUSTOMER SERVICE: 1-877-2-KBRASS

TECHNICAL SUPPORT E-mail: service@kingstonbrass.com

12775 Reservoir Street, Chino, CA 91710