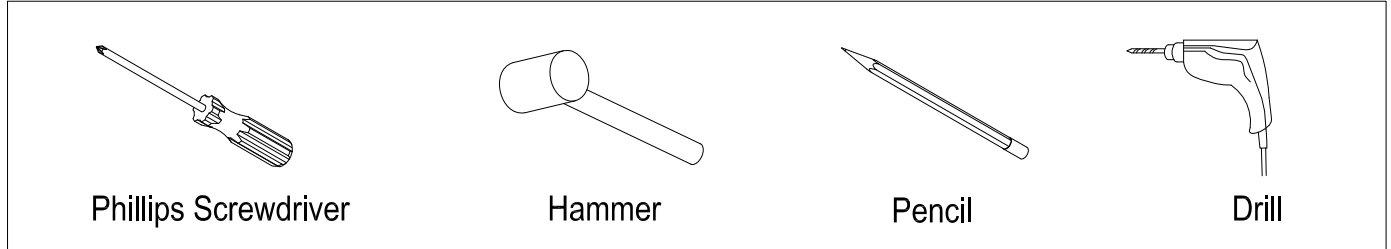


KINGSTON

KITCHEN & BATH

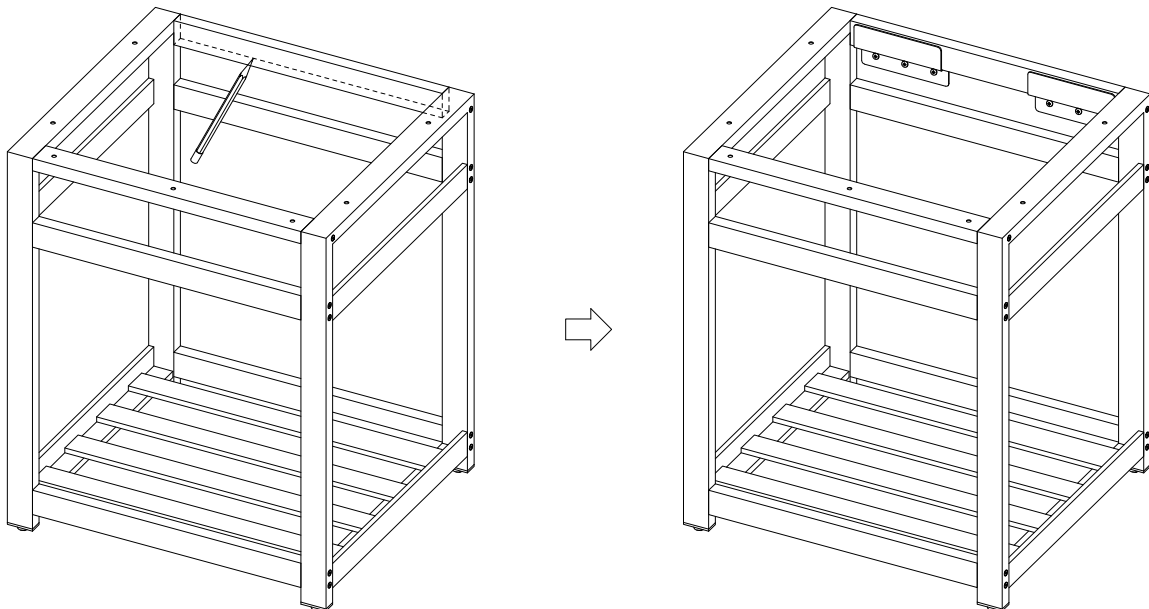
INSTALLATION INSTRUCTIONS L Shape Mounting Bracket

Need Tools:



Installation:

1. Once unit has been assembled place at the desired location and after leveling draw a line across the bottom of the top vertical beam.
2. Remove the Console sink base, find the location of the wood studs and using the marked line as a guide to install support brackets at the location of the studs, make sure at least one of the screws is secured to the wood; you will need an anchor to secure from a secondary point in the bracket.
3. The depth of wall drill hole for installing anchor should be 40mm (1-5/8") Min. Slide Console sink base into place and attach top sink.



www.kingstonbrass.com

TOLL-FREE CUSTOMER SERVICE: 1-877-2-KBRASS

TECHNICAL SUPPORT E-mail: service@kingstonbrass.com

12775 Reservoir Street, Chino, CA 91710