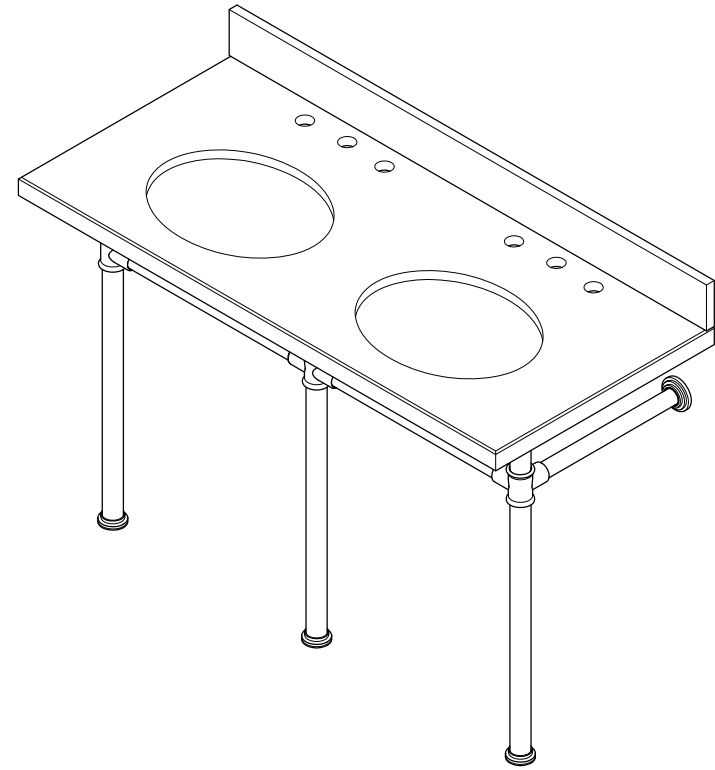
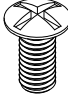


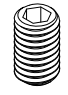
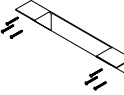


FAUCETURE



Parts:

Screw	Mounting Screw	Set Screw	Floor Pin	Mounting Bracket Set
				
6 Pcs	8 Pcs	1 Pc	3 Pcs	1 Set

CAUTION

Failure to follow all installation directions may cause product to detach from the wall and cause serious injury

www.kingstonbrass.com
TOLL-FREE CUSTOMER SERVICE: 1-877-2-KBRASS
TECHNICAL SUPPORT E-mail: service@kingstonbrass.com
12775 Reservoir Street, Chino, CA 91710

FAUCETURE

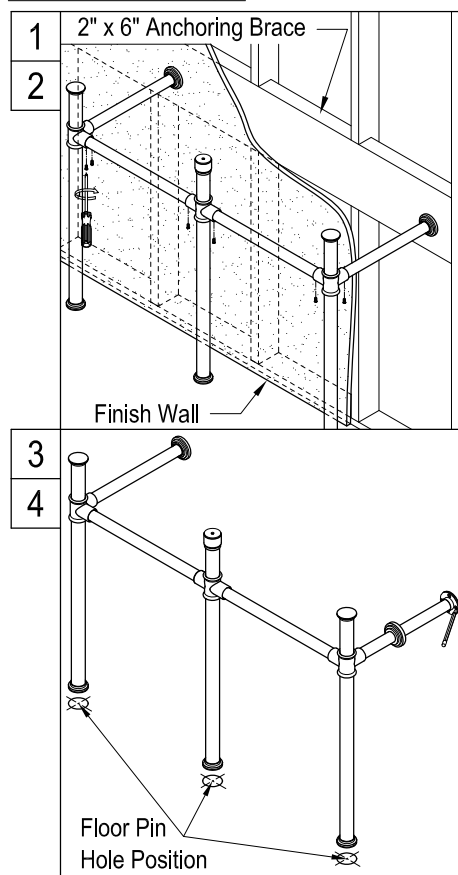
INSTALLATION INSTRUCTIONS

Console Sink Legs

Before Installation :

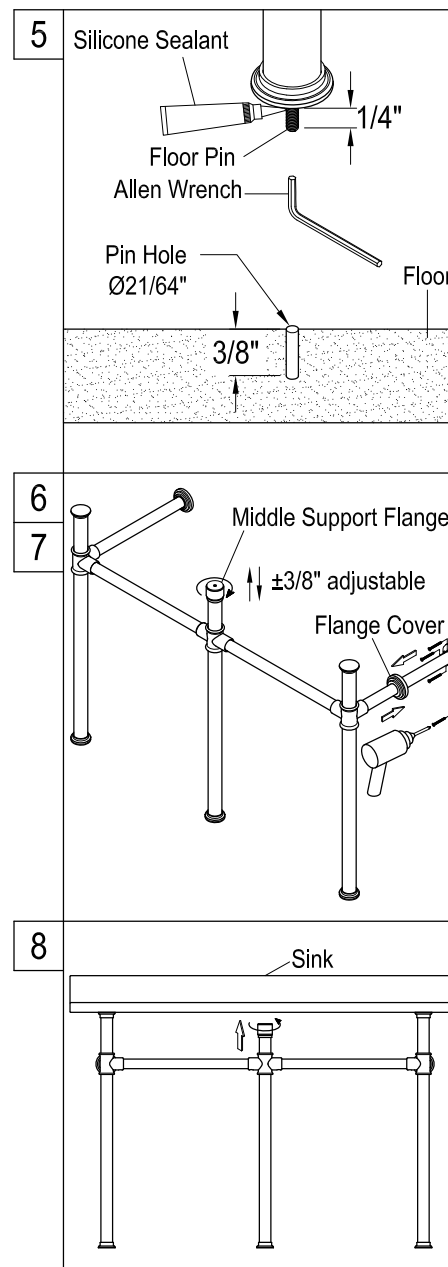
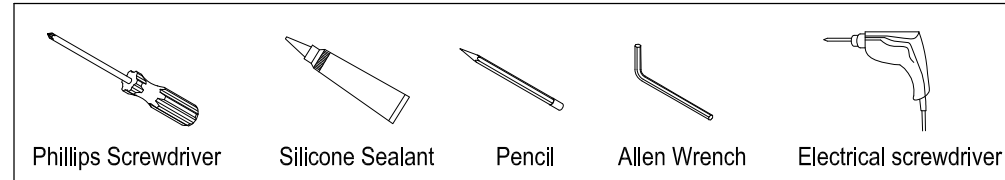
1. Before beginning the installation of your console pedestal basin, it is important to identify the type of wall where the pedestal will be installed and prepare the installation location accordingly.
2. Install an anchoring brace in the wall prior to installing the drywall, this can be a 2" x 6" piece of wood that will fit between the two studs, then install drywall and finish as usual. Due to the excessive weight of this pedestal it should not be mounted on drywall unless it is properly secured to the anchoring brace.
3. For safety concern, make sure your sink has proper wall mounting parts or brackets to fix the sink on wall.
4. For maximum weight capacity, we recommend that you can use our bracket # VSPLBRKT as shown in the last page.

Installation Step :

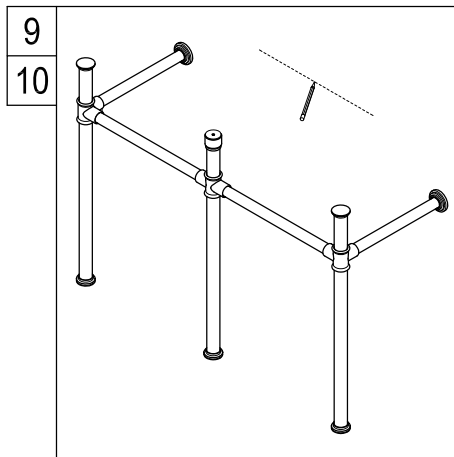


1. Join the three vertical leg supports by inserting the horizontal crossbars into the leg support tees, and secure by tightening screw from underneath.
2. Insert the two horizontal short arms (wall support arm) into the leg support tees, and secure by tightening screw from underneath.
3. Place the leg support assembly at the location where the console basin will be installed. Adjust to make sure the vertical legs are plumb and horizontal arms are level.
4. Use pencil to mark the locations of wall support flanges and floor support flanges. Remove the leg support assembly. If you want to fix the leg support assembly on floor, drill pin holes $\text{Ø}21/64"$ X $3/8"$ deep on the floor.

Need Tools:

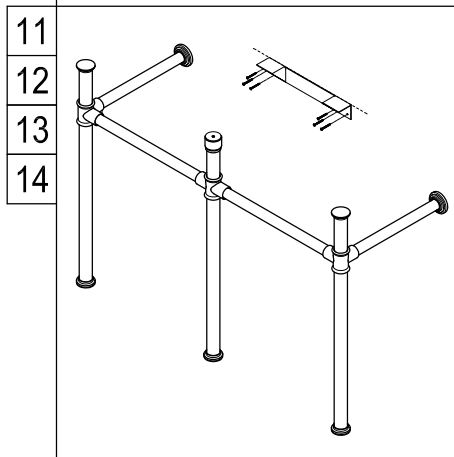


5. If you choose to fix the legs on the floor, apply silicone sealant on one threaded end of the floor pin, secure it into the bottom of vertical legs with an Allen wrench. Make sure the floor pin protrude 1/4" from the bottom surface.
6. Move and adjust the position of the leg support assembly, so the three floor pins can completely go into the drilled holes on the floor.
7. Then secure the leg support assembly to the wall by tightening all the wood screws on the wall flanges. Prior to the tightening, slowly and carefully move the flange cover forward.
8. Before you put the sink on the leg support assembly, the middle support flange should be rotated clockwise to keep it at the lowest height. Then adjust it by rotating counter clockwise to have it fully touch and support under the sink after the sink is put on.



9. Once unit has been assembled place at the desired location.

10. Gently place basin on top of pedestal legs and very carefully place in the location where the pedestal legs will be installed and after leveling draw a line across the bottom of the basin.



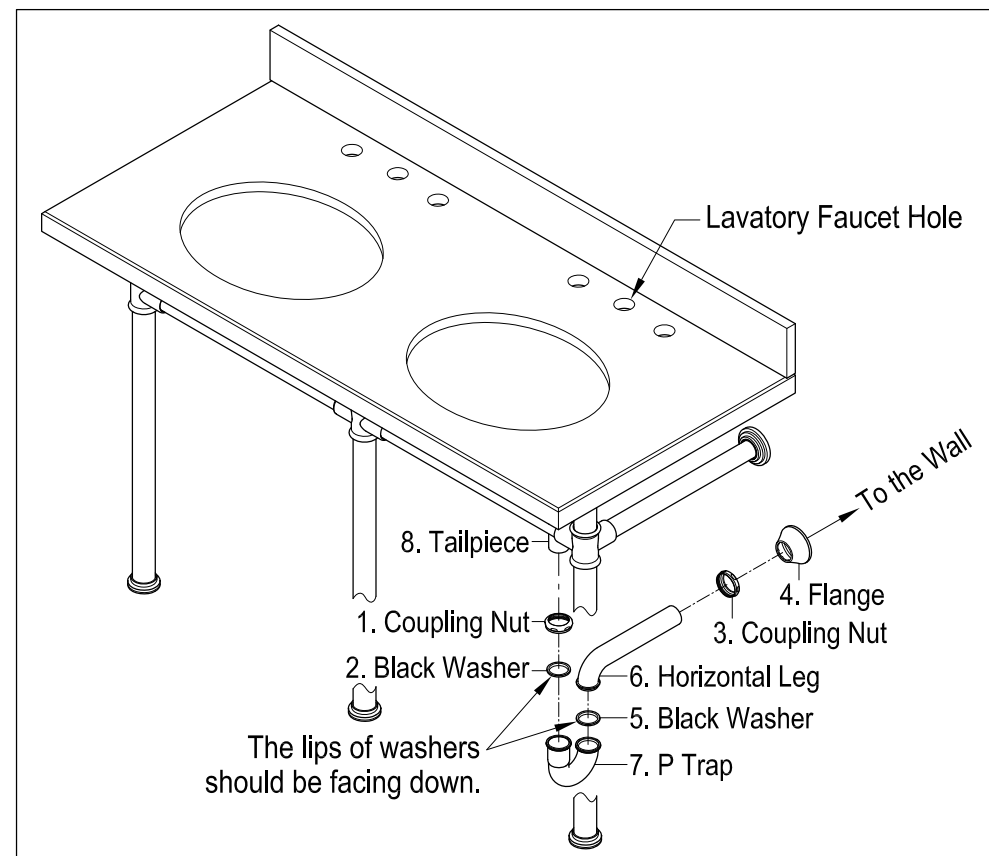
11. Remove the basin and use the marked line as a guide to install support brackets at the location of wood bracing.

12. Use the appropriate anchors on places where the bracket is not secured to wood.

13. Fix the bracket onto the wall by tightening up wood screws with a screwdriver.

14. Then adjust the leg support assembly again to make sure the vertical legs are plumb and horizontal arms are level, secure it to the wall by tightening all the set screws on the wall flanges and the support tees.

P-Trap Installation:



1. Insert horizontal leg (6) into wall drain stub-out.
2. Remove coupling nut (1) and black washer (2) from the P-trap (7) .
3. Insert coupling nut (1) and black washer (2) onto the tailpiece (8), make sure the lip of washer is facing down.
4. Attach P-trap to the tailpiece (8). Slowly and carefully move the black washer (2) down to touch the inlet of P-trap (7) by hand. Then tighten up the coupling nut (1).
5. Align P-trap (7) with horizontal leg (6) and tailpiece (8), at this point it may be necessary to cut part of tailpiece (8) or part of horizontal leg (6) to obtain proper alignment.
6. Check if all components are properly tightened.
7. Run water. If leaks appears and tightening doesn't correct it, loosen coupling nuts (1) or (3), check black washers (2) and (5) are properly installed. Retighten coupling nuts (1) or (3).

Cleaning Instructions: Wipe this whole set off with warm water and a soft cloth. Do not use soaps, cleansers, or brass cleaners as they will disintegrate the protective coating and leave the brass exposed therefore causing tarnishing.