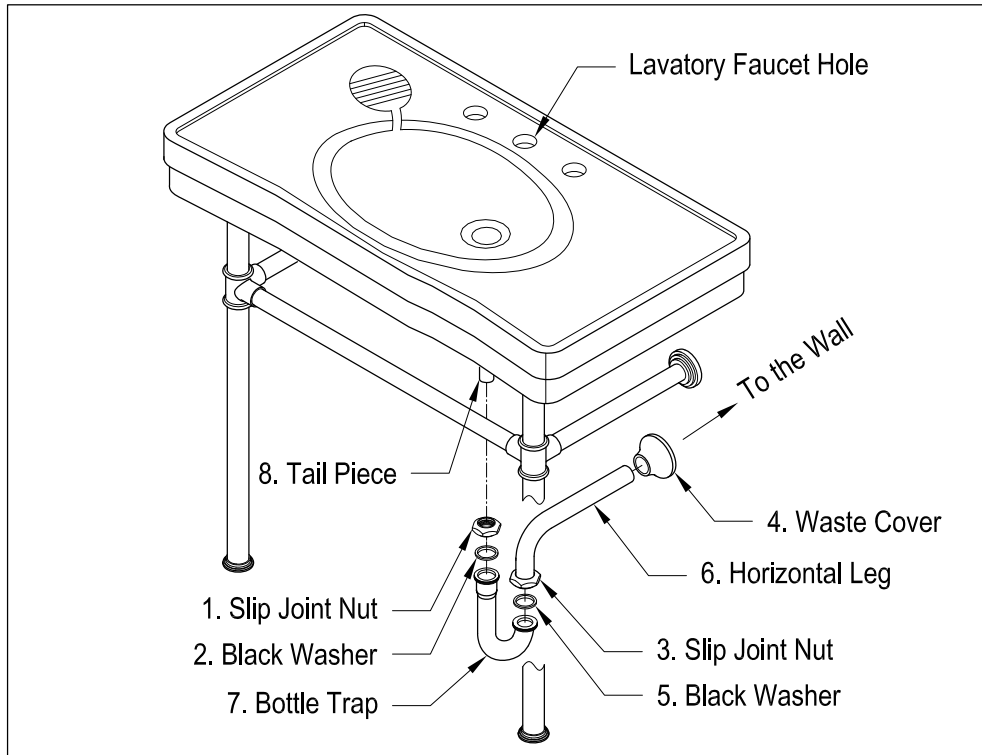


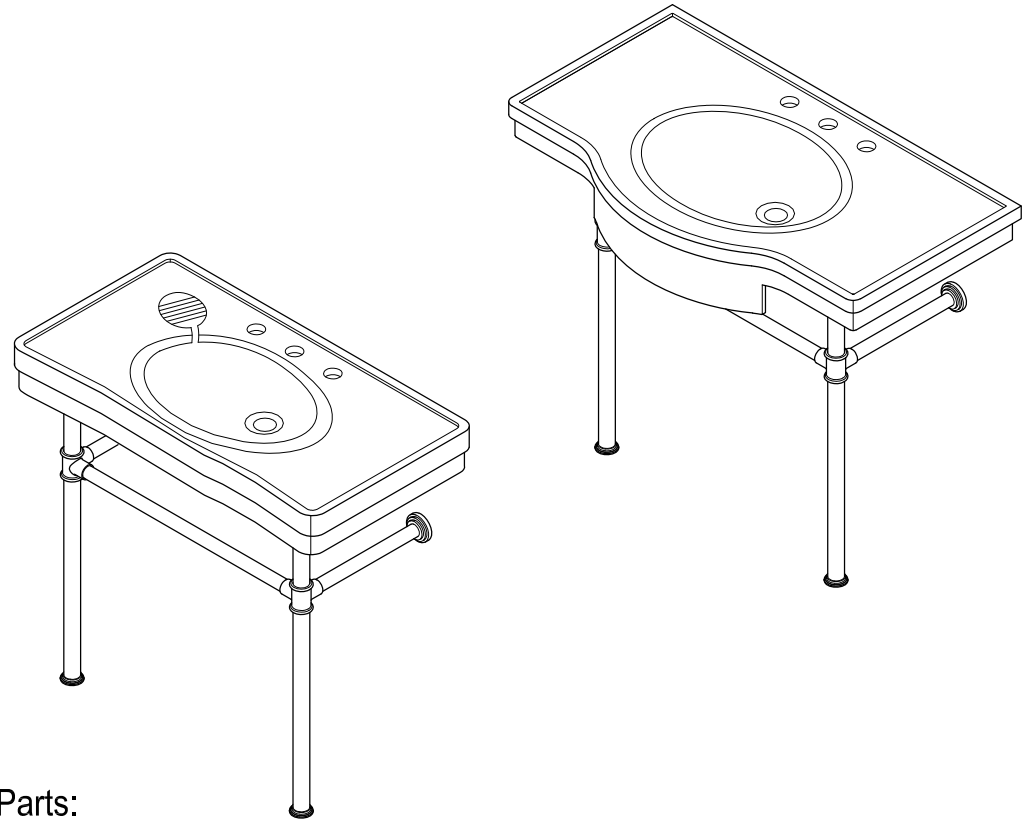
P-Trap Installation:



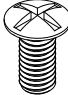

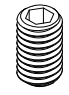
1. Remove horizontal leg and slip joint nut from bottle trap.
2. Apply Teflon tape to all exposed threads.
3. Insert slip joint nut (3) and waste cover (4) onto horizontal leg (6).
4. Insert horizontal leg into wall waste opening, do not tighten.
5. Insert black washer (2) and slip joint nut (1) onto tail piece (8).
6. Attach bottle trap (7) to tail piece and hand tighten slip joint nut (1).
7. Align bottle trap with horizontal leg and tail piece, at this point it may be necessary to cut part of tail piece or part of horizontal leg to obtain proper alignment.
8. After all components have been properly aligned, insert horizontal leg making sure to insert black washer (5) before tightening slip joint nut (3).
9. Thread both slip joint nuts onto bottle trap and tighten along with slip joint securing horizontal leg to wall waste opening.
10. Check for leakage by opening faucet and letting water run for at least 45 seconds.

Cleaning Instructions: Wipe this whole set off with warm water and a soft cloth. Do not use soaps, cleansers, or brass cleaners as they will disintegrate the protective coating and leave the brass exposed therefore causing tarnishing.

FAUCETURE



Parts:

Screw	Mounting Screw	Floor Pin
		
4 Pcs	8 Pcs	2 Pcs

CAUTION

Failure to follow all installation directions may cause product to detach from the wall and cause serious injury

www.kingstonbrass.com
TOLL-FREE CUSTOMER SERVICE: 1-877-2-KBRASS
TECHNICAL SUPPORT E-mail: service@kingstonbrass.com
12775 Reservoir Street, Chino, CA 91710

FAUCETURE

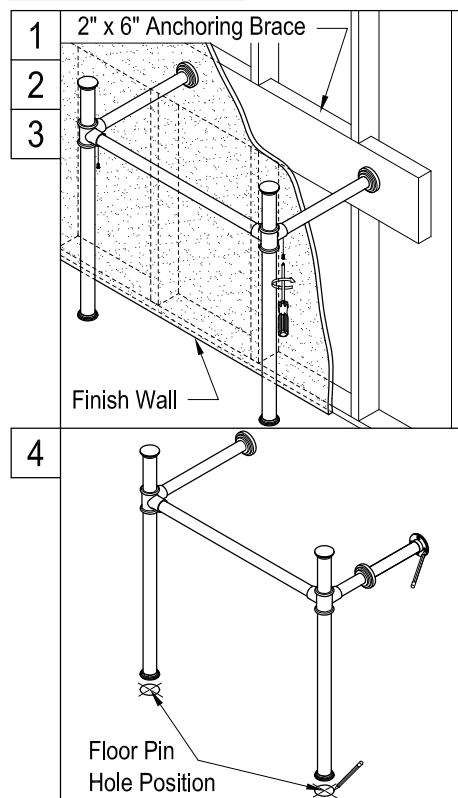
INSTALLATION INSTRUCTIONS

Console Sink Legs

Before Installation :

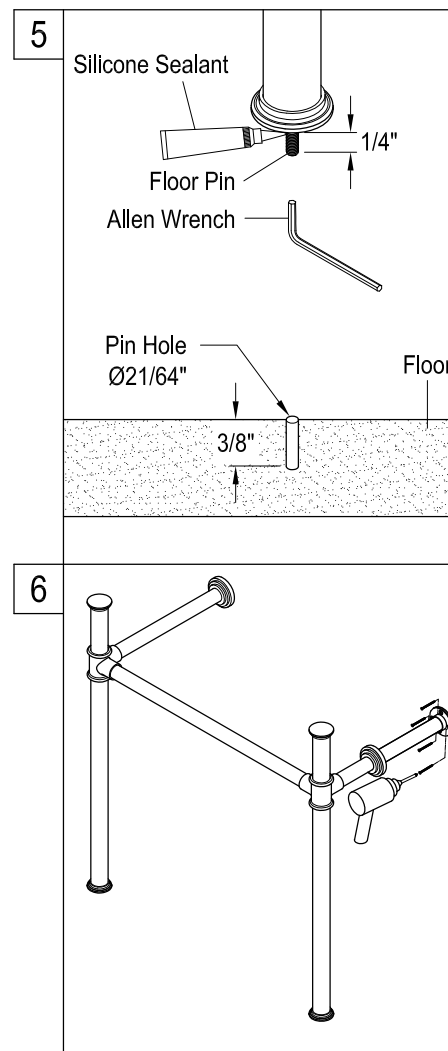
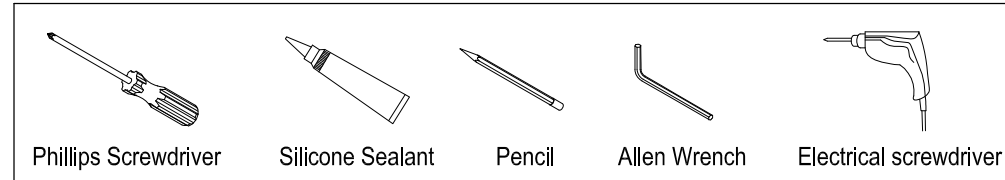
1. Before beginning the installation of your console pedestal basin, it is important to identify the type of wall where the pedestal will be installed and prepare the installation location accordingly.
2. Install an anchoring brace in the wall prior to installing the drywall, this can be a 2" x 6" piece of wood that will fit between the two studs, then install drywall and finish as usual. Due to the excessive weight of this pedestal it should not be mounted on drywall unless it is properly secured to the anchoring brace.
3. For safety concern, make sure your sink has proper wall mounting parts or brackets to fix the sink on wall.
4. For maximum weight capacity, we recommend that you can use our bracket # VSPLBRKT as shown in the last page.
5. For higher installation height (34" & 36"), we recommend that you can use our extension-leg parts # VPBL31488* (3.5") or # VPBL51488* (5.5").

Installation Step :



1. Join the two vertical leg supports by inserting the horizontal crossbar into the leg support tees, and secure by tightening screw from underneath.
2. Insert the two horizontal short arms (wall support arm) into the leg support tees, and secure by tightening screw from underneath.
3. Place the leg support assembly at the location where the console basin will be installed. Adjust to make sure the vertical legs are plumb and horizontal arms are level.
4. Use pencil to mark the locations of wall support flanges and floor pin holes. Remove the leg support assembly. If you want to fix the legs on the floor, drill pin holes $\text{Ø}21/64"$ X $3/8"$ deep on the floor.

Need Tools:



5. If you choose to fix the legs on the floor, apply silicone sealant on the threaded end of the floor pin and secure it into the bottom of legs with an Allen wrench. Make sure the floor pin protrude $1/4"$ from the bottom surface.
6. Move and adjust the position of the leg support assembly, so the two floor pins can completely go into the drilled holes on the floor. Then secure the leg support assembly to the wall by tightening all the wood screws on the wall flanges.

KINGSTON

KITCHEN & BATH

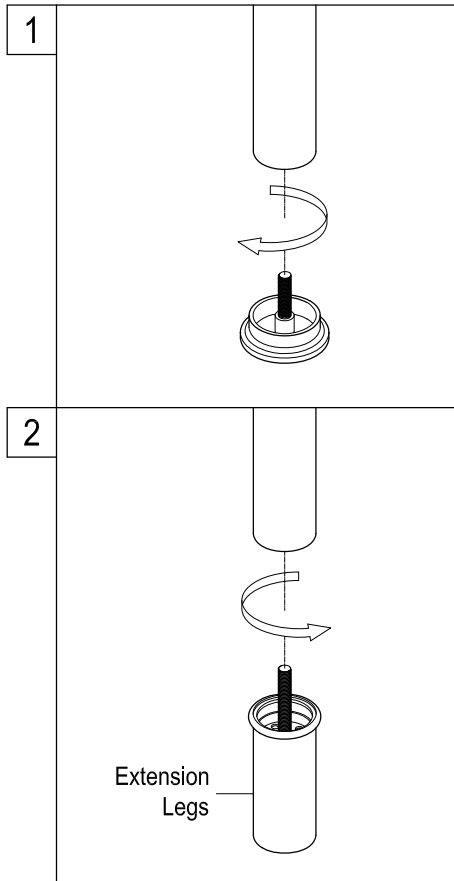
INSTALLATION INSTRUCTIONS

Console Sink Extension Legs

Before Installation :

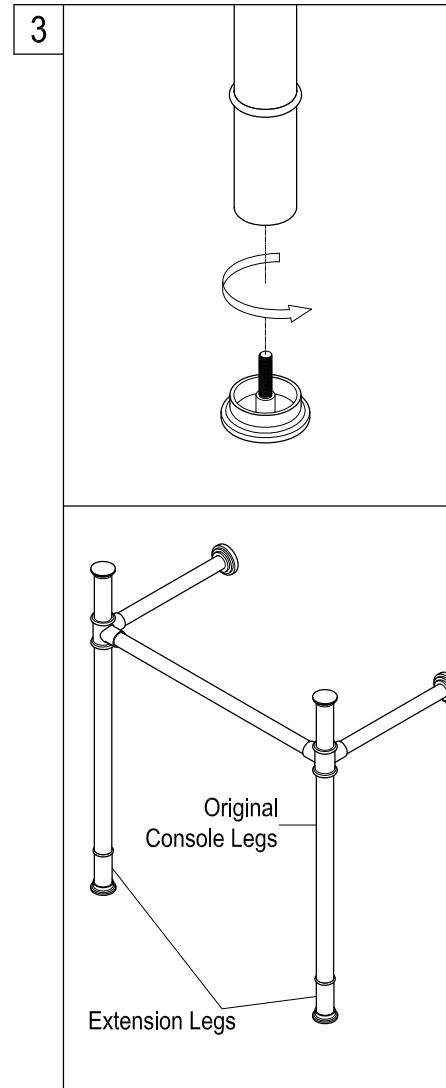
1. The pair of extension legs is used for higher sink installation and needed to be connected under the original console legs (height 30-1/2") prior to the installation position set-up.
2. Extension legs 3.5" is for 34" height console legs.
Extension legs 5.5" is for 36" height console legs.

Installation Step :



1. Remove the floor flanges from the original legs by turning counter-clockwise.

2. Thread the extension legs onto the original legs by turning clockwise. Mark sure the extension legs are completely and tightly connected.



3. Thread the floor flanges onto the extension legs.
The floor flanges are designed to be slightly adjustable for overall height.