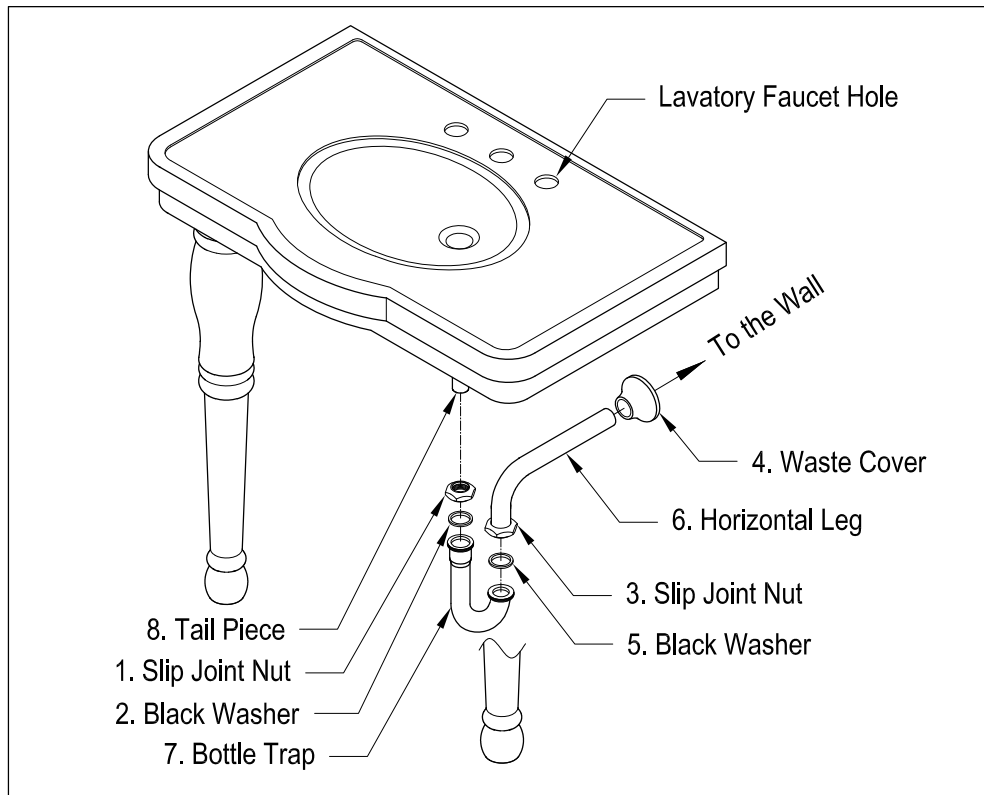
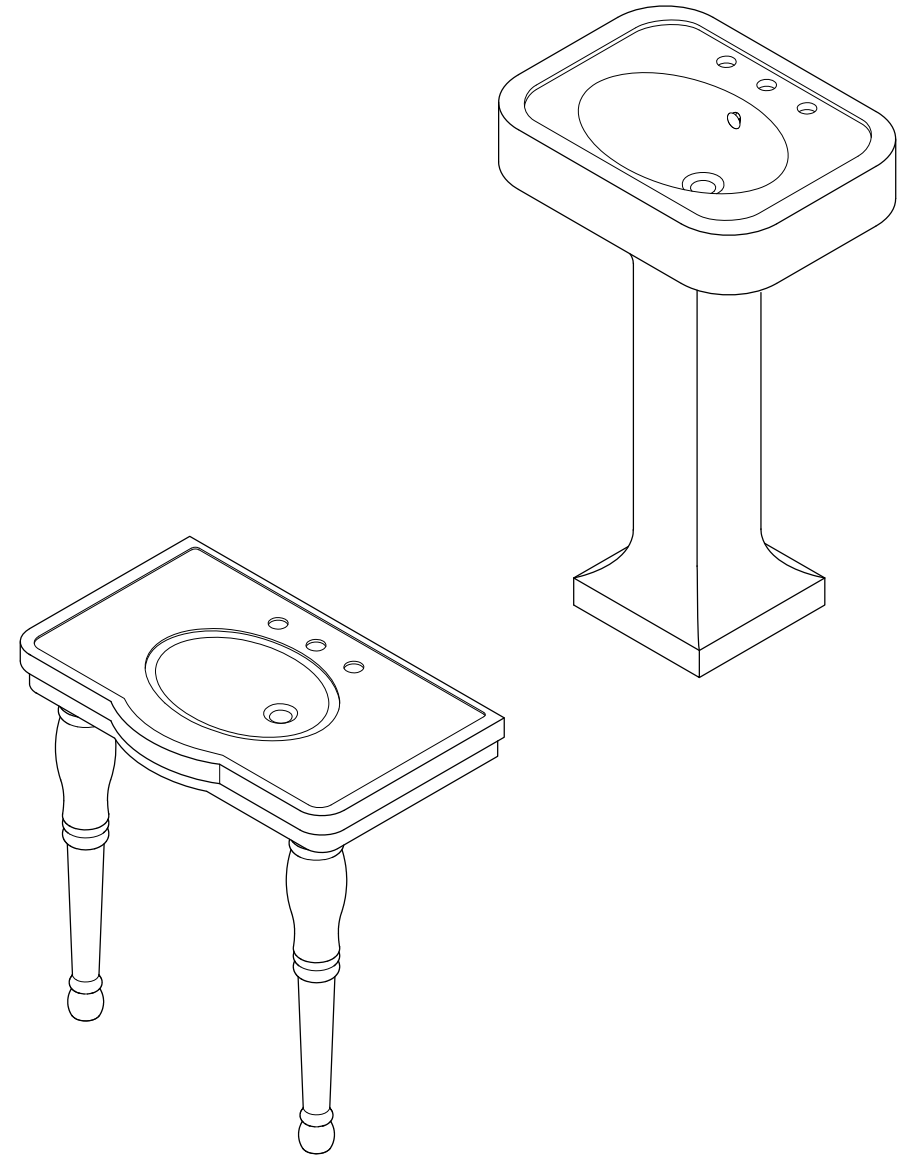


## P-Trap Installation:



1. Remove horizontal leg and slip joint nut from bottle trap.
2. Apply Teflon tape to all exposed threads.
3. Insert slip joint nut (3) and waste cover (4) onto horizontal leg (6).
4. Insert horizontal leg into wall waste opening, do not tighten.
5. Insert black washer (2) and slip joint nut (1) onto tail piece (8).
6. Attach bottle trap (7) to tail piece and hand tighten slip joint nut (1).
7. Align bottle trap with horizontal leg and tail piece, at this point it may be necessary to cut part of tail piece or part of horizontal leg to obtain proper alignment.
8. After all components have been properly aligned, insert horizontal leg making sure to insert black washer (5) before tightening slip joint nut (3).
9. Thread both slip joint nuts onto bottle trap and tighten along with slip joint securing horizontal leg to wall waste opening.
10. Check for leakage by opening faucet and letting water run for at least 45 seconds.

# FAUCETURE



[www.kingstonbrass.com](http://www.kingstonbrass.com)

TOLL-FREE CUSTOMER SERVICE: 1-877-2-KBRASS  
TECHNICAL SUPPORT E-mail: [service@kingstonbrass.com](mailto:service@kingstonbrass.com)  
12775 Reservoir Street, Chino, CA 91710

# FAUCETURE

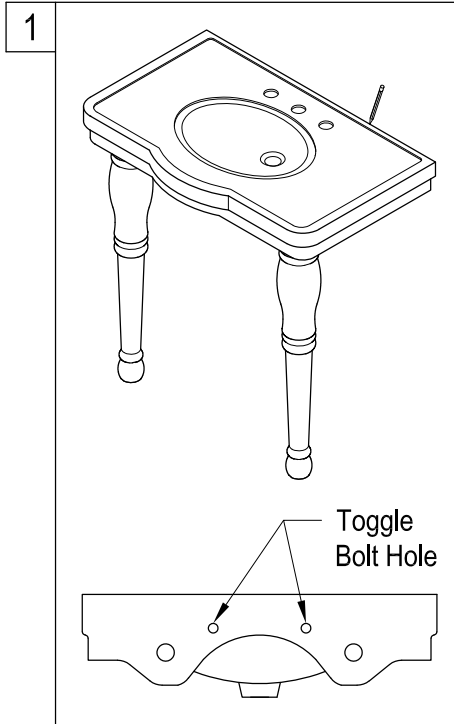
## INSTALLATION INSTRUCTIONS

### WALL MOUNT BASIN

#### Before Installation :

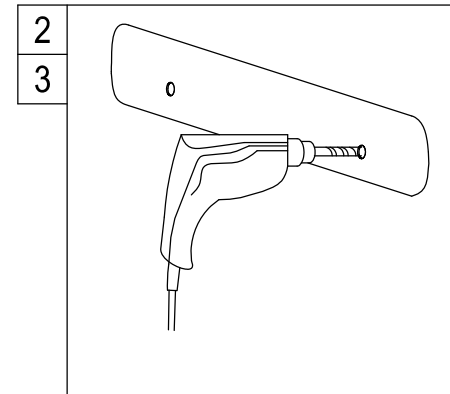
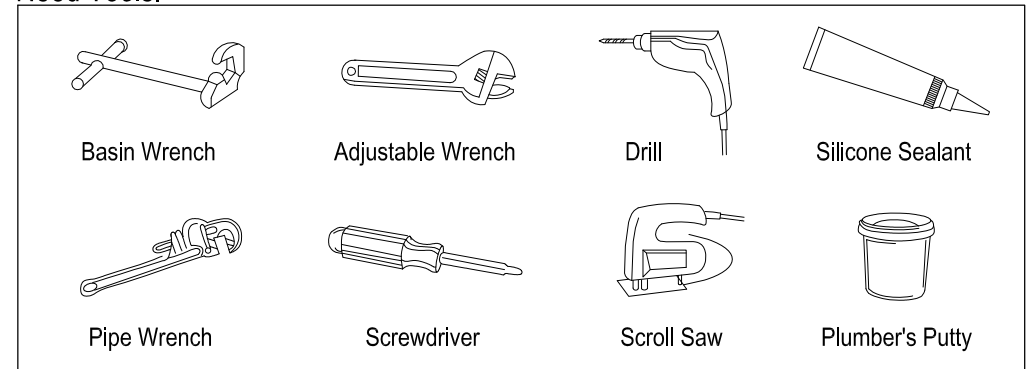
1. Before beginning the installation of your console pedestal sink, it is important to identify the type of wall where the pedestal will be installed and prepare the installation location accordingly.
2. Install an anchoring brace in the wall prior to installing the drywall, this can be a 2" x 6" piece of wood that will fit between the two studs, then install drywall and finish as usual. Due to the excessive weight of this pedestal it should not be mounted on drywall unless it is properly secured to the anchoring brace.

#### Installation Step :

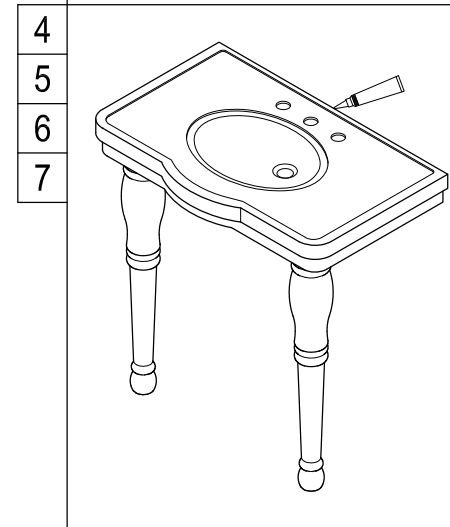


1. Gently place basin on top of pedestal legs and very carefully place in the location where the console will be installed.

#### Need Tools:



2. Mark the location of the mounting holes on the wall, also mark or measure the location of the pedestal, it is recommended that for additional safety, a piece of 1" x 4" x 23" piece of lumber be preinstalled underneath the console to provide additional support.
3. Remove pedestal, drill holes at the marked locations and install anchors.



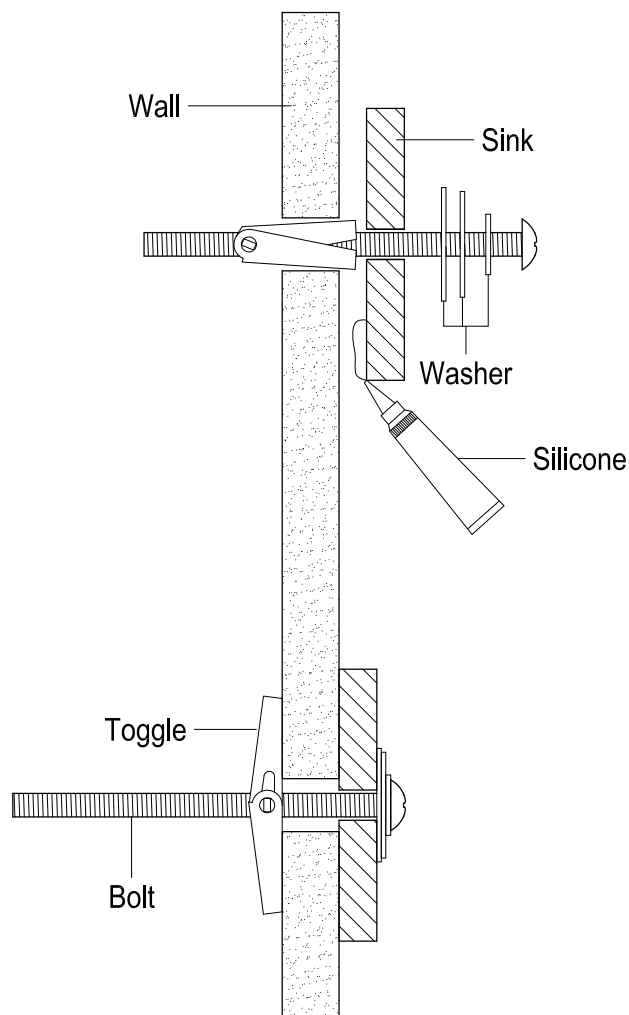
4. Install faucet and drain on console as per faucet manufacturer's instructions.
5. Apply a bead of adhesive caulking around the back perimeter of the basin as well as the top surface of the legs.
6. Place basin on top of pedestal legs and secure using the proper anchors.
7. Attach supply lines and P trap and clean any excess caulking.

# KINGSTON

KITCHEN & BATH

## Toggle Bolt Anchor Installation Instructions:

1. If you are installing on a plaster (Drywall) wall we recommend using toggle bolt anchors (included), drill a 5/8" hole at the marked location of the holes
2. Remove toggle from bolt, insert washer on the bolt and insert bolt through the basin mounting holes.
3. Thread no more than 1/2", with the tip of the toggle pointing towards the head of the bolt, apply a bead of silicone caulking around the perimeter of the back of the sink and secure the sink to the wall by inserting the toggle bolt through the holes.
4. Make sure that the bolt went far enough to allow the toggle bolt to open, thread the bolt while pulling on it, this will ensure that the toggle inside the wall will not spin, thread until the basin has been properly secured.



[www.kingstonbrass.com](http://www.kingstonbrass.com)

TOLL-FREE CUSTOMER SERVICE: 1-877-2-KBRASS

TECHNICAL SUPPORT E-mail: [service@kingstonbrass.com](mailto:service@kingstonbrass.com)

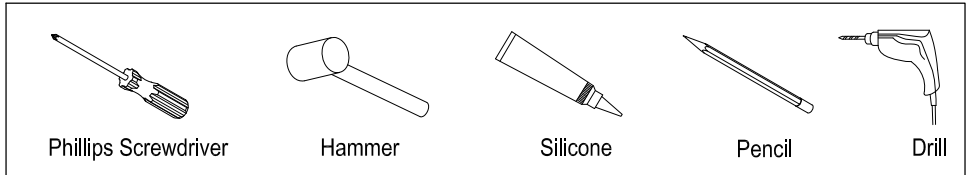
12775 Reservoir Street, Chino, CA 91710

# FAUCETURE

## INSTALLATION INSTRUCTIONS

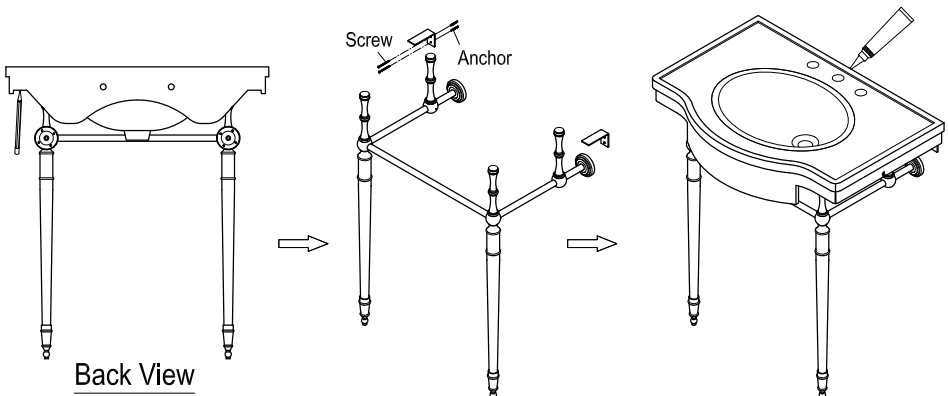
### L Shape Mounting Bracket

#### Need Tools:



#### Installation:

1. Once unit has been assembled place at the desired location.
2. Gently place basin on top of pedestal legs and very carefully place in the location where the pedestal legs will be installed and after leveling draw a line across the bottom of the basin.
3. Remove the basin, find the location of the wood studs and using the marked line as a guide to install support brackets at the location of the studs, make sure at least one of the screws is secured to the wood studs.
4. The depth of wall drill hole for installing anchor should be 52mm (2-1/16" ) Min.
5. Place basin on top of pedestal legs, apply a bead of silicon around the back perimeter of the basin.



[www.kingstonbrass.com](http://www.kingstonbrass.com)

TOLL-FREE CUSTOMER SERVICE: 1-877-2-KBRASS

TECHNICAL SUPPORT E-mail: [service@kingstonbrass.com](mailto:service@kingstonbrass.com)

12775 Reservoir Street, Chino, CA 91710