

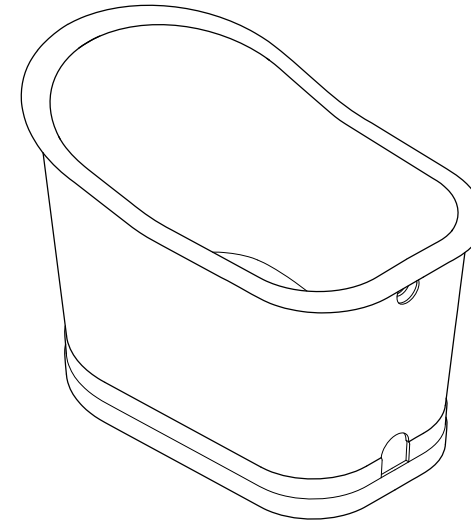
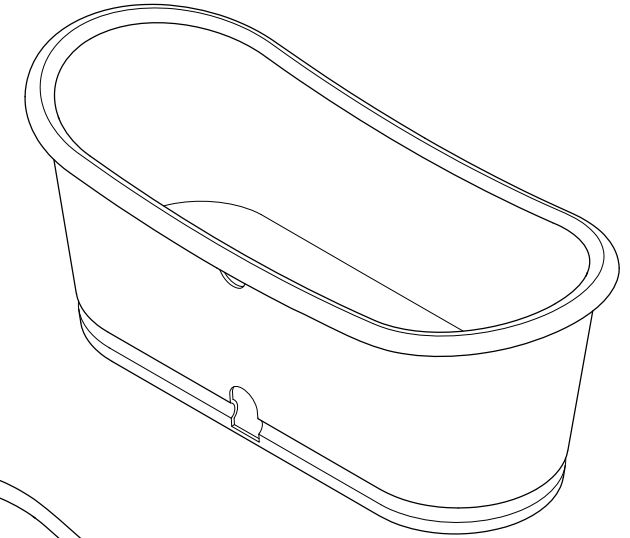
## Important

Before you begin Installation please read the following instructions, observe all local plumbing and building codes.

- Check area where tub will be installed to ensure that it is leveled and structurally sound.
- Please unwrap the tub and check it carefully for any damage that may have occurred during transportation.
- Check that all parts are included.
- If you have any missing parts, damage is found or have any questions regarding the installation process contact customer service at (877)-252-7277.
- Store bathtub in a safe place until you begin installation to avoid damage to the tub's surface.
- No claims for damages or blemishes will be accepted once the tub has been installed.
- We recommend that the installation of this tub be done by a qualified licensed professional.
- Because of its weight and volume we recommend that the installation of this tub be done with the help of at least one other person, a fall even what may seem like a minor one may result in cracking of the tub, moving straps and rubber gripped gloves are recommended.
- These Installation instructions do not include details of waste connections, the final details should be determined by your contractor

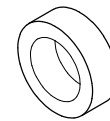
# Aqua Eden

ELEMENTS OF DISTINCTIVE STYLE



## Parts:

Thicker  
Rubber  
Gasket



1 Pc

[www.kingstonbrass.com](http://www.kingstonbrass.com)

TOLL-FREE CUSTOMER SERVICE: 1-877-2-KBRASS

TECHNICAL SUPPORT E-mail: [service@kingstonbrass.com](mailto:service@kingstonbrass.com)

12775 Reservoir Street, Chino, CA 91710

# NOTICE

Failure to follow all directions may cause leaks  
which may result in water damage



**WARNING**

**Lifting hazard.**

Single person lift could  
cause injury.  
Use assistance when  
moving or lifting.

# Aqua Eden

ELEMENTS OF DISTINCTIVE STYLE

## INSTALLATION INSTRUCTIONS Cast Iron Tub with or without Drain

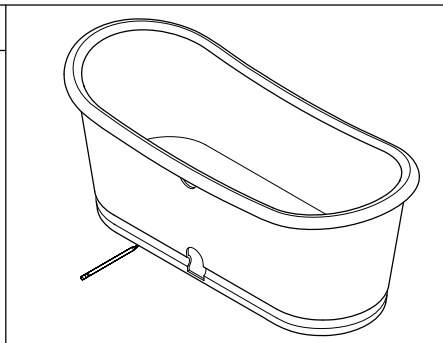
### Caution :

This bathtub is heavy. Get help lifting and moving this tub. Read all instructions thoroughly before starting the installation.

### Important Points to Remember :

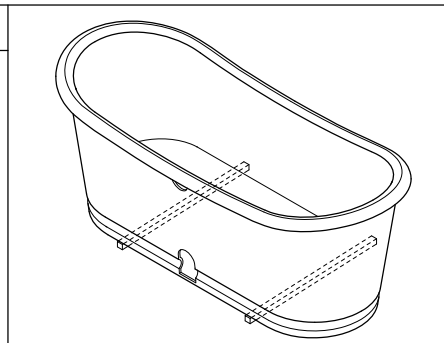
1. Provide adequate floor support.
2. Make sure the subfloor is level. Provide drain access from below. Provide access to all plumbing connections. Observe local building and plumbing codes.
3. A thick rubber gasket is included with this tub to be used to seal the overflow hole during drain installation.
4. Please check all measurements prior to purchasing the waste & overflow, some of our tubs are deeper than usual and require a bigger drain such as Item number # CC271\*.

1



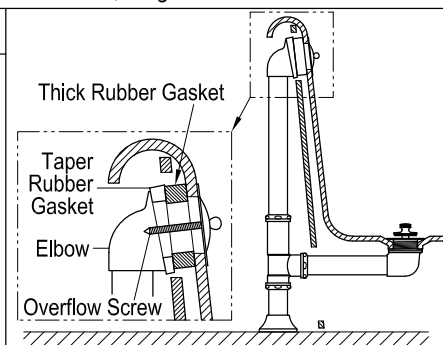
1. Clean level and prepare floor for installation, measure the location where the tub will be placed and determine the location of the drain, rough in drain.

2



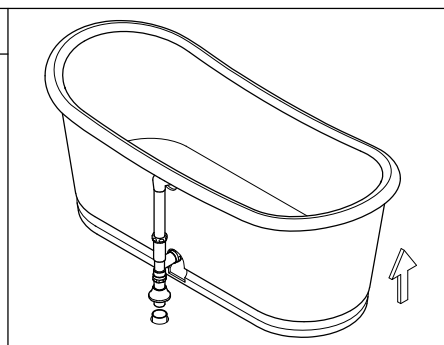
2. Place tub on top of 2 pieces of 4" x4" lumber slide into place, install waste and overflow as per manufacturer's instructions.

3



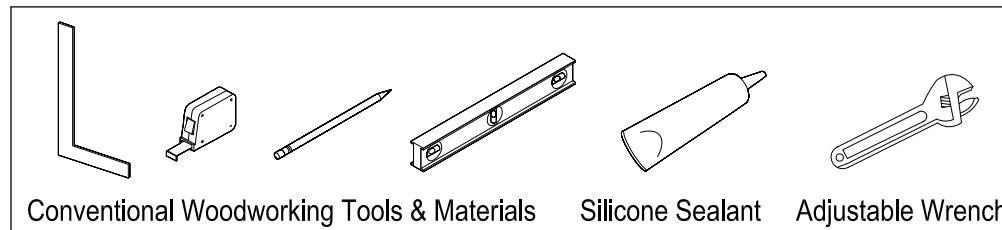
3. During the drain installation we recommend using the thick gasket included with this tub, Place the thick gasket between the overflow hole and the overflow elbow, press and secure with screws, you may need to obtain longer screws to properly secure the overflow pipe to the tub.

4

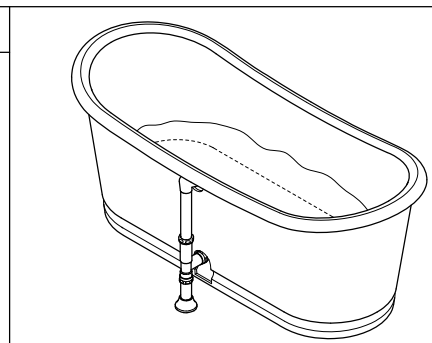


4. With the help of 2 or more people, lift tub, remove lumber rails and set tub into place, connect waste and overflow to the drain pipe.

### Need Tools:

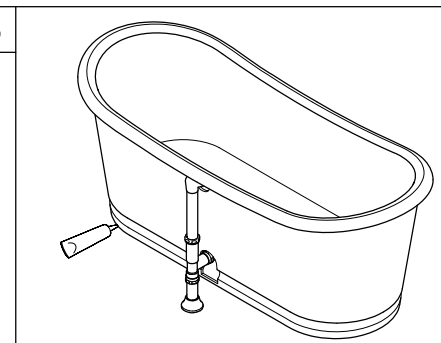


5



5. Close the drain and fill the tub with water to the overflow and then drain the tub while inspecting the waste and overflow connections for leaks.

6



6. Apply a bead of caulking around the perimeter of the tub; wipe off any excess with a wet cloth.

### Cleaning

Clean with a damp cloth only.  
Avoid using metal or abrasive polishes.