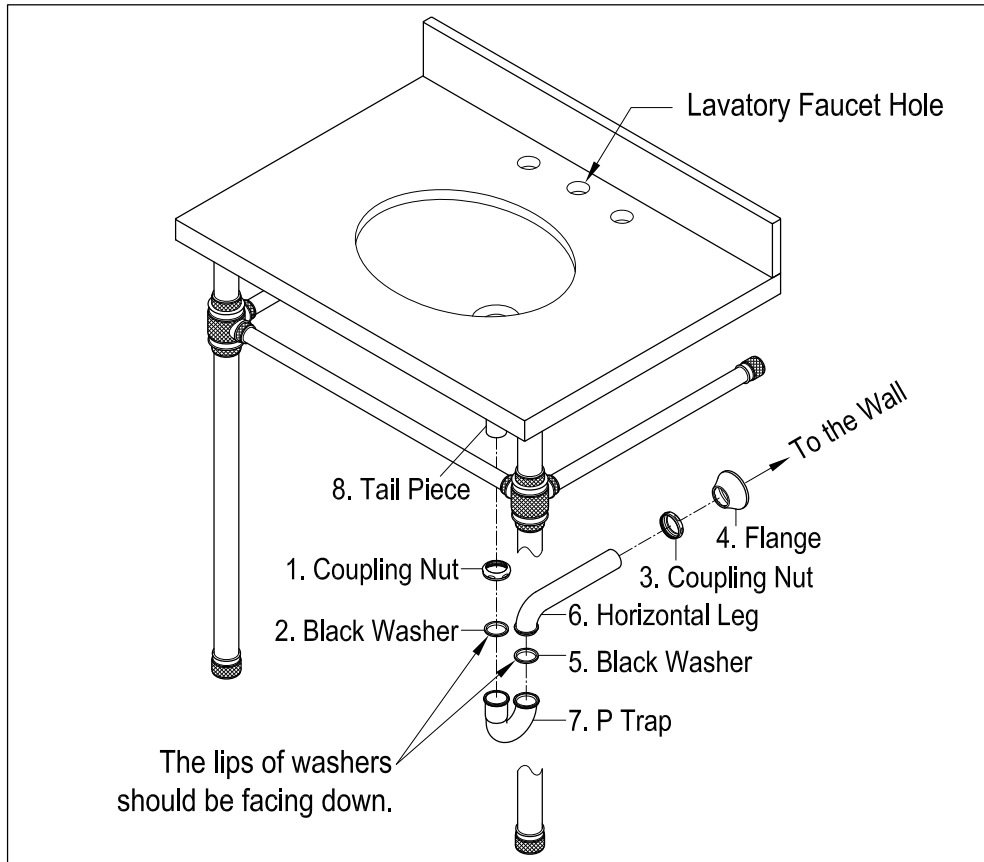


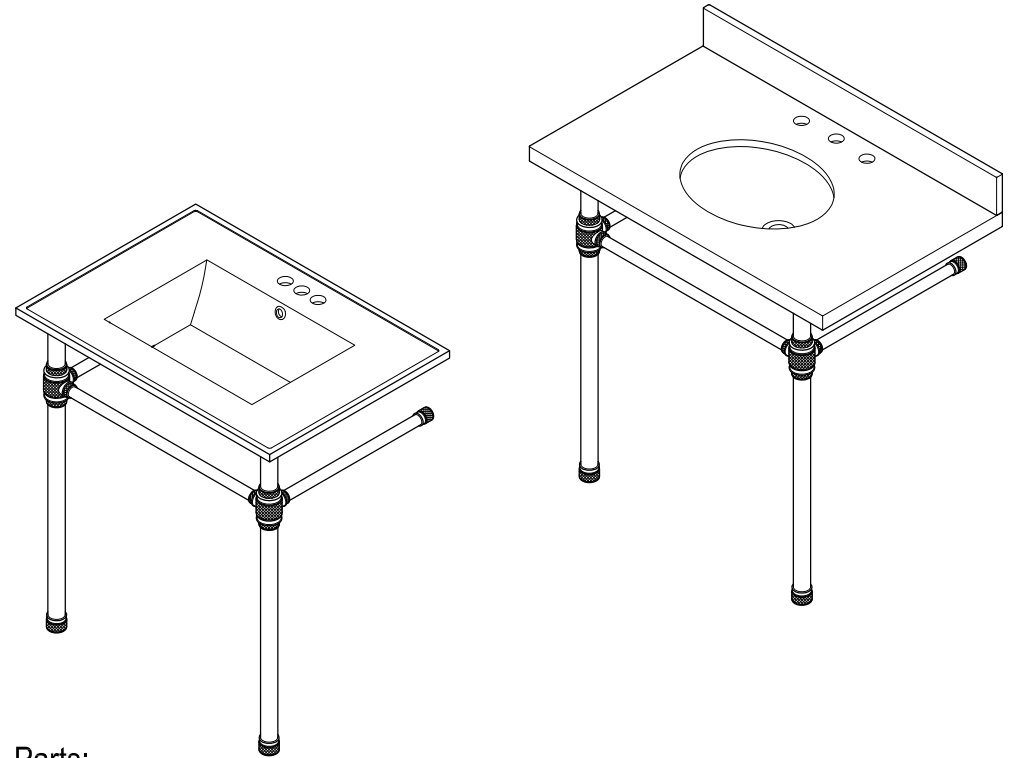
P-Trap Installation:




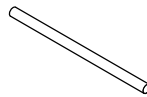



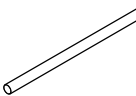
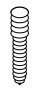


1. Insert horizontal leg (6) into wall drain stub-out.
2. Remove coupling nut (1) and black washer (2) from the P-trap (7).
3. Insert coupling nut (1) and black washer (2) onto the tailpiece (8), make sure the lip of washer is facing down.
4. Attach P-trap to the tailpiece (8). Slowly and carefully move the black washer (2) down to touch the inlet of P-trap (7) by hand. Then tighten up the coupling nut (1).
5. Align P-trap (7) with horizontal leg (6) and tailpiece (8), at this point it may be necessary to cut part of tailpiece (8) or part of horizontal leg (6) to obtain proper alignment.
6. Check if all components are properly tightened.
7. Run water. If leaks appears and tightening doesn't correct it, loosen coupling nuts (1) or (3), check black washers (2) and (5) are properly installed. Retighten coupling nuts (1) or (3).

Cleaning Instructions: Wipe this whole set off with warm water and a soft cloth. Do not use soaps, cleansers, or brass cleaners as they will disintegrate the protective coating and leave the brass exposed therefore causing tarnishing.

FAUCETURE



Parts:

Support Leg	Front Bar	Top Flange & Floor Flange	4-Way Joint	Wall Flange
A 	B 	D 	E 	F 
2 Pcs	1 Pc	4 Pcs	2 Pcs	2 Pcs
	Side Bar	Floor Screw	Wooden Screw	Buffer Pad
	C 	G 	H 	I 
	2 Pcs	2 Pcs	2 Pcs	2 Pcs

CAUTION

Failure to follow all installation directions may cause product to detach from the wall and cause serious injury

www.kingstonbrass.com
 TOLL-FREE CUSTOMER SERVICE: 1-877-2-KBRASS
 TECHNICAL SUPPORT E-mail: service@kingstonbrass.com
 12775 Reservoir Street, Chino, CA 91710

FAUCETURE

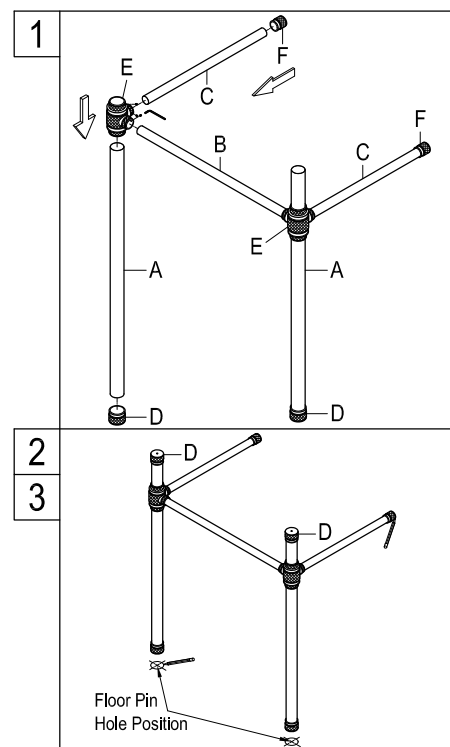
INSTALLATION INSTRUCTIONS

Console Sink Legs

Before Installation :

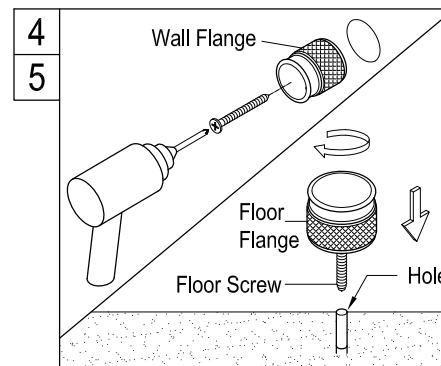
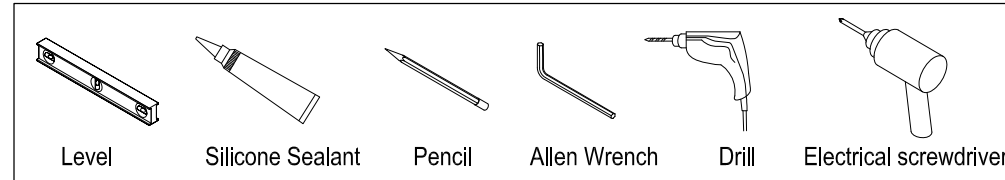
1. Unpack your new Kingston Brass product and inspect it keep the product in its original package until you are ready to install it.
2. Shut the water supply off when replacing an existing fixture. Preparation of the floors and walls, including all additional wall supports, maybe required.
3. Observe all local plumbing and building codes.
4. It is recommended that you enlist the assistance of a second person to install this unit.
5. Make sure to select appropriate drain as some of Kingston Brass vessel sinks do not include overflow hole.
6. The weight capacity of this unit is solely dependent on its installation.
 - a) Once the location has been selected, make sure to install 2" x 6" lumber or larger wood bracing, in order to secure the console properly.
 - b) Make sure your sink has come with wall-mounting screw hardware or bracket to fix on the wall.
 - c) If not, for safety concern, we recommend that you use our bracket # VSPLBRKT, bracket should be attached to 2" x 6" lumber or larger wood bracing for added safety.

Assembly and Installation :

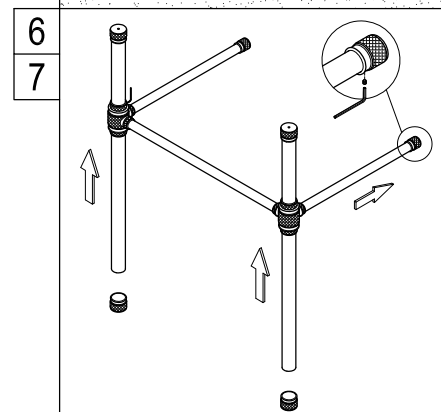


1. Start by assembling the right and left support legs (A) as shown in Figure 1. If necessary, refer to the parts breakdown chart included in these installation instructions. After assembling the right and left sides of the support legs, attach the front bar (B) to both sides. Refer to the drawing for the height of front bar and 4-way joints (E), fix them to the required position. Attach side bars (C) to the 4way joints. Make sure to tighten all set screws on the leg support assembly. Finally, attach the flanges (F) to the two side bars (C) and the flanges (D) beneath both legs and their tops.
2. With the help of a second person position the leg support assembly at the desired location, make sure to level and plumb the leg support assembly, mark the location of the holes on the wall support flanges as well as the perimeter of the location where the legs will be secured to the floor
3. Remove the leg support assembly. Locate the center-points of the two floor flanges and drill 5/16" holes on the floor.

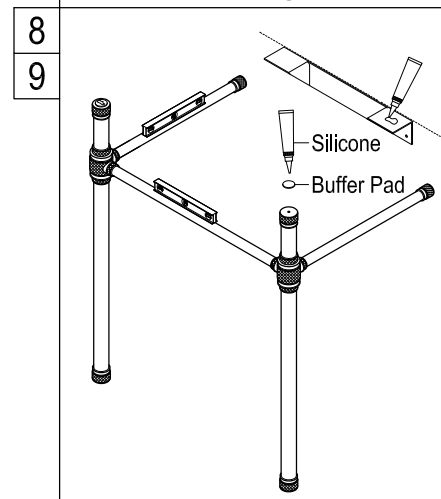
Need Tools:



4. Install the wall flanges (F) by securing them with wood screws (H) using an electric screwdriver at the marked locations on the wall. If you are unable to secure the flanges to wood bracing as specified, consult your contractor to determine the appropriate anchors for your application.
5. Attach the floor screws (G) to the floor flanges (D) and fix them to the floor.



6. Reposition the leg support assembly and insert the side bars into both wall flanges (F). Then, secure the assembly to the wall by tightening the set screws on the wall flanges (F) with an Allen wrench.
7. Loosen the set screws of the 4-way joints for the support legs, raise the support legs, and insert them into the floor flanges so they fit properly. Level the front bar and sides, then secure the set screws on the 4-way joints with an Allen wrench.



8. If you are using a VSPLBRKT wall bracket, using a level, mark a horizontal line at the height of the top of the frame of the leg support assembly and attach the bracket to the wood bracing at the line previously marked.
9. Stick two buffer pads on the tops of the console leg assembly. Apply silicone adhesive to the tops of the buffer pads as well as to the top of the wall bracket. As well as to the back of the console top, place the top (sink) on top on the console leg assembly, wipe off any excess adhesive and let the adhesive cure as per the manufacturer's recommendation.