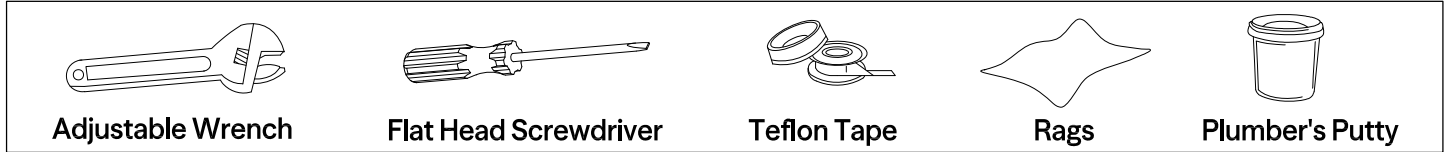


Tools Required

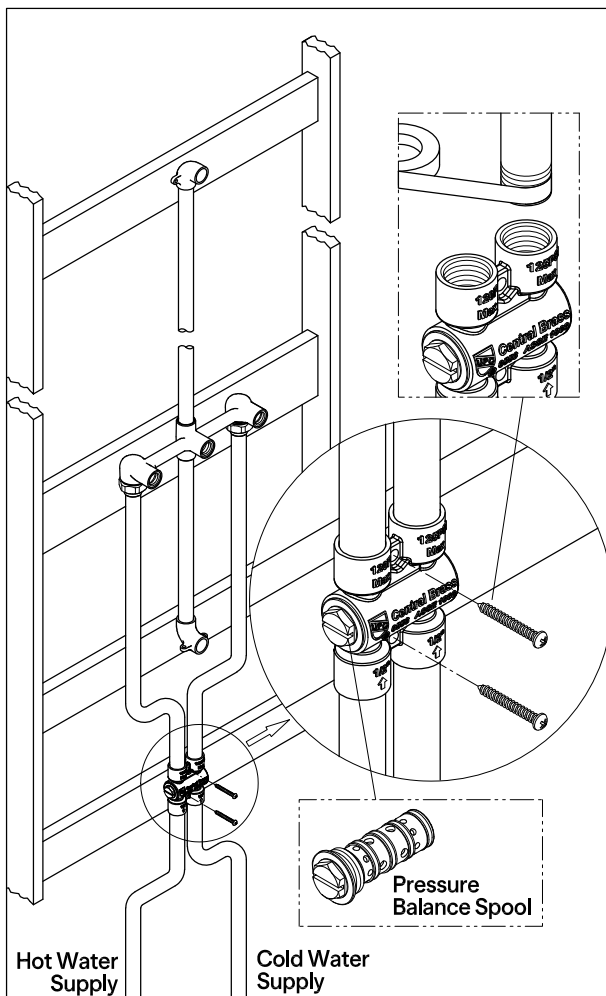


Warnings and Notes:

- Check with local plumbing code requirements before installation.
- This product should be installed by a local listed plumber
- Do not use plumbers putty on threads.

Installation Step: Pressure Balancing Valve

Note:- Failure to follow these instructions may cause damage or improper operation and may void the warranty.



- Select a location that allows for service access to the pressure balancing valve post-installation.
- Connect water supplies to the pressure balancing valve's side inlets. The valve's outlets can be connected to fixtures you wish to be protected. **Caution:** If using sweat installation to connect adapter to this valve ensure to remove pressure balance spool to avoid any damage to the seals.
- If required optional service stops can be fitted to bottom inlets of the pressure balancing valve.
- The remote pressure balance valve accepts 1/2" NPT Male connection fittings for inlet and outlet connections.
- the remote pressure balance valve can be installed in any orientation.
- To test and operate the "in-line" remote pressure balance valve, it is necessary for both hot and cold water supply lines to be pressurized.
- Check by shutting down cold side water supply to the remote pressure balance valve and turning on hot water for the tub and shower or roman tub sets. If no hot water comes out that confirms the removed pressure balance valve is working properly.
- To confirm the remote pressure balance valve is functioning correctly, shut off the cold water supply to the valve. Then, turn on the hot water for the tub, shower, or Roman tub sets. If no hot water flows, this indicates the valve is working as intended
- After installation, the pressure balance spool piston must move freely to function correctly. If debris or mineral deposits hinder its free movement, cleaning will be necessary.

NOTICE

Failure to follow all directions may cause leaks which may result in water damage

www.kingstonbrass.com

TOLL-FREE CUSTOMER SERVICE: 1-877-2-KBRASS

TECHNICAL SUPPORT E-mail: service@kingstonbrass.com

12775 Reservoir Street, Chino, CA 91710