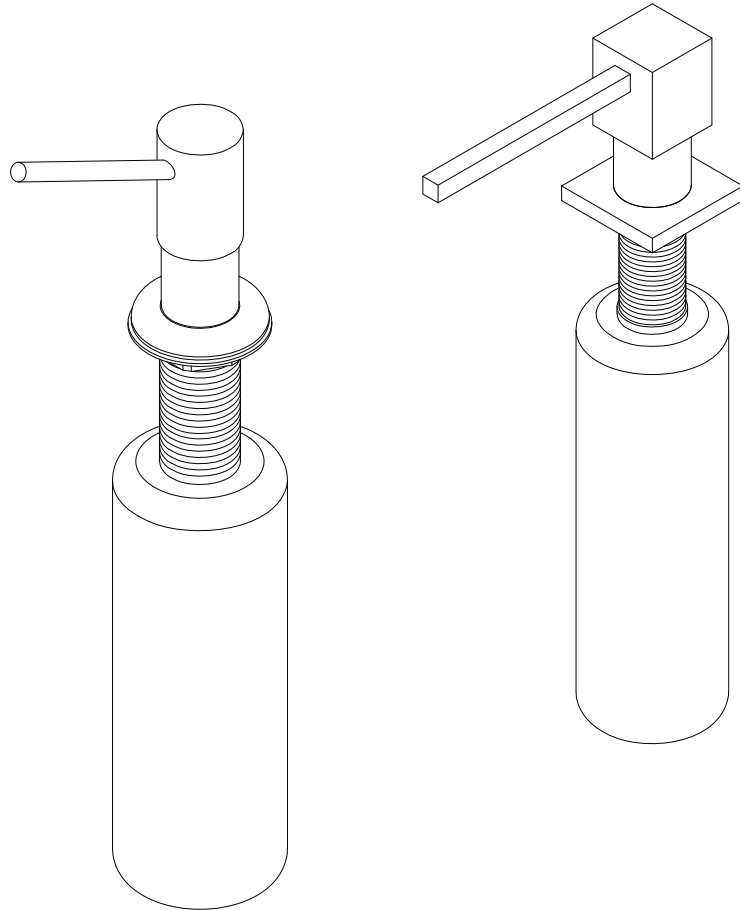


KINGSTON

KITCHEN & BATH

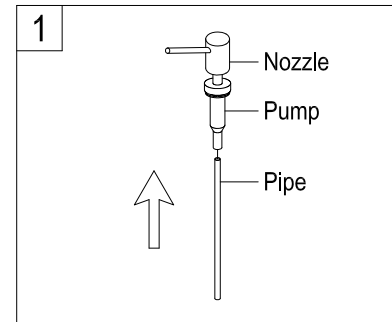
Soap Dispenser Installation



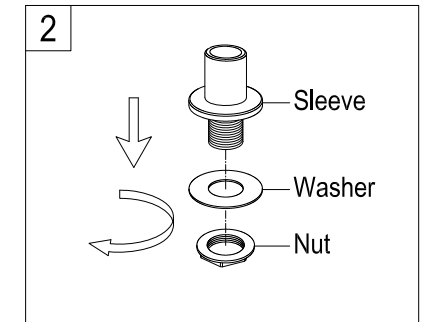
www.kingstonbrass.com
TOLL-FREE CUSTOMER SERVICE: 1-877-2-KBRASS
TECHNICAL SUPPORT E-mail: service@kingstonbrass.com
12775 Reservoir Street, Chino, CA 91710

Note: This product is used to illustrate installation.

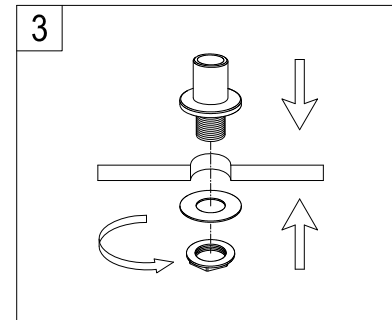
Your product may be a different style but will install in the same way.



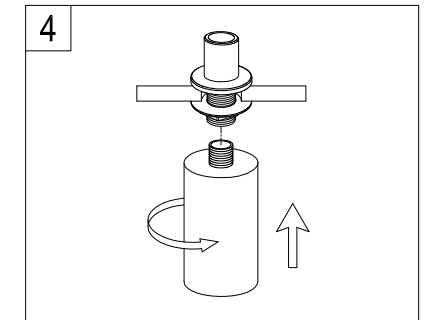
1. Install pipe into soap pump.



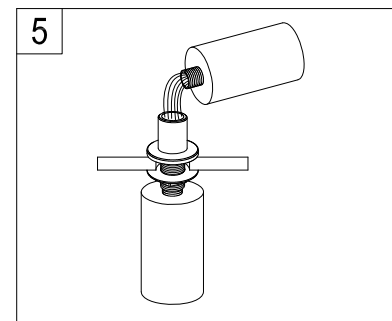
2. Remove washer and nut from soap dispenser sleeve.



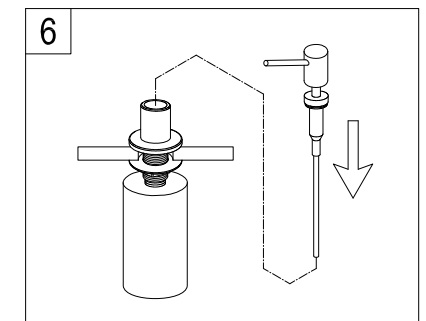
3. Insert soap dispenser sleeve through sink hole and secure with washer and nut.



4. Screw soap bottle into soap dispenser sleeve, hand tighten.



5. Pour in liquid soap (or hand lotion).



6. Put the pump nozzle and plastic pump into sleeve.