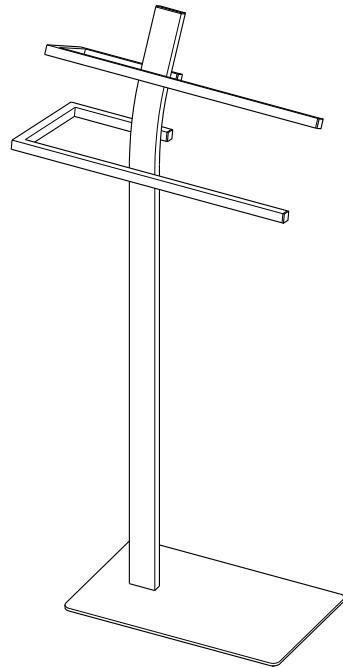
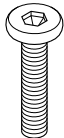
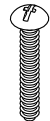



Pedestal Double Towel Rack Installation

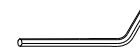


Parts:

Bolt	Screw	Gasket
		
2 Pcs	4 Pcs	4 Pcs

www.kingstonbrass.com
TOLL-FREE CUSTOMER SERVICE: 1-877-2-KBRASS
TECHNICAL SUPPORT E-mail: service@kingstonbrass.com
12775 Reservoir Street, Chino, CA91710

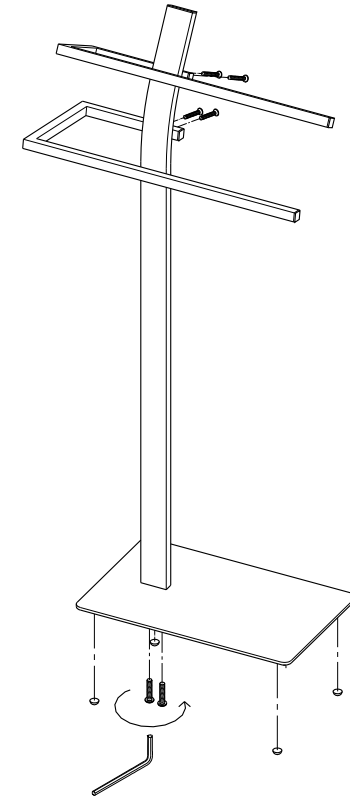
TOOLS REQUIRED



Allen Wrench



Phillips Screwdriver



Installation Steps:

- Step 1. Insert the towel bar onto the tube and secure the screw tightening with Phillips screwdriver
- Step 2. Then install towel rack assembly onto the base and secure the bolt tightening with the Allen wrench.
- Step 3. To complete the installation, use the provided gaskets to cover the exposed corners of the bottom of the base. This helps prevent direct contact with the floorboard and extends product life.

Cleaning

Clean with a damp cloth only.
Avoid using metal or abrasive polishes.