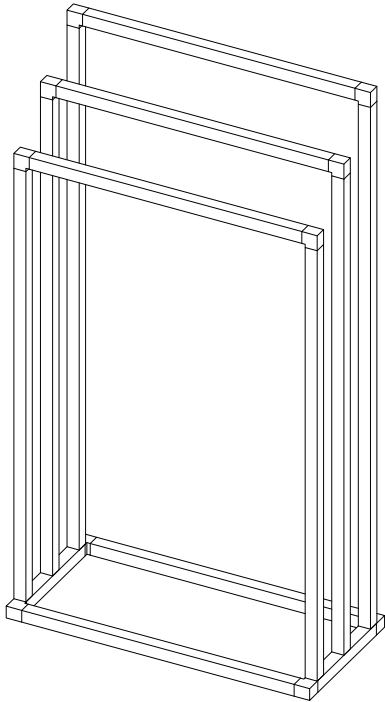


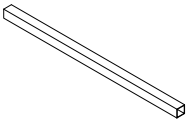
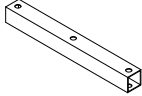
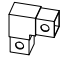
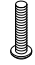

KINGSTON

KITCHEN & BATH

Pedestal 3-Tier Steel Frame Towel Rack Installation

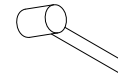


Parts:

| Straight Tube | | Base | | Two-way connector | |
|---|--|---|--|---|--|
|  | |  | |  | |
| A 15-7/8" | | 2 Pcs | | 10 Pcs | |
| B 26" | | Screw | | Gasket | |
| C 28-3/4" | |  | |  | |
| D 31-1/2" | | 6 Pcs | | 4 Pcs | |

www.kingstonbrass.com
 TOLL-FREE CUSTOMER SERVICE: 1-877-2-KBRASS
 TECHNICAL SUPPORT E-mail: service@kingstonbrass.com
 12775 Reservoir Street, Chino, CA 91710

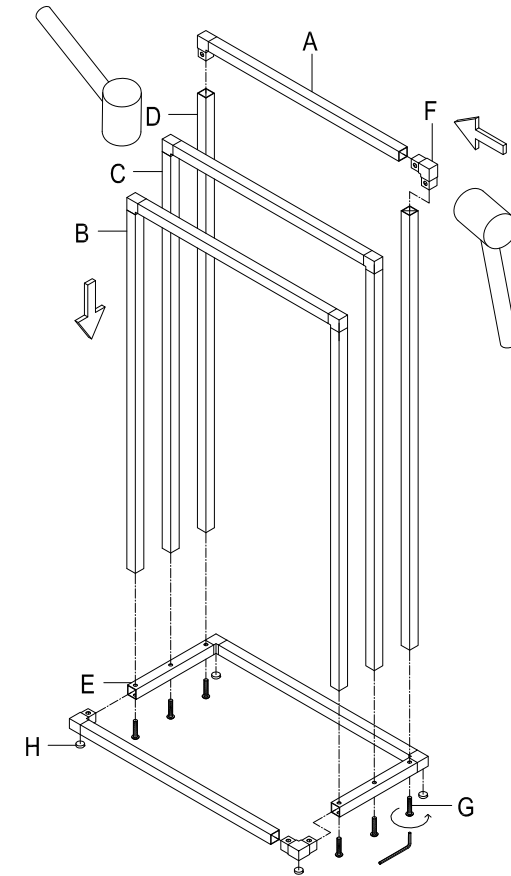
TOOLS REQUIRED



Rubber Mallet



Allen Wrench



Installation Steps:

- Step 1. Using a rubber mallet, gently tap the two-way connectors (part F) into the straight tube (part A). Repeat on the other side and for the remaining 4 pieces.
- Step 2. After completing step 1 with parts A. Locate parts B, C, D and E.
- Step 3. Next, locate the base (part E), then the screws (part G) provided and secure them into base (part E) and parts B, C, and D by tightening with an Allen wrench.
- Step 4. To complete the installation, use the gaskets (part H) to cover the 4 exposed holes on the bottom of the base. This helps prevent direct contact with the floorboard and extends product life.

Cleaning

Clean with a damp cloth only.
 Avoid using metal or abrasive polishes.