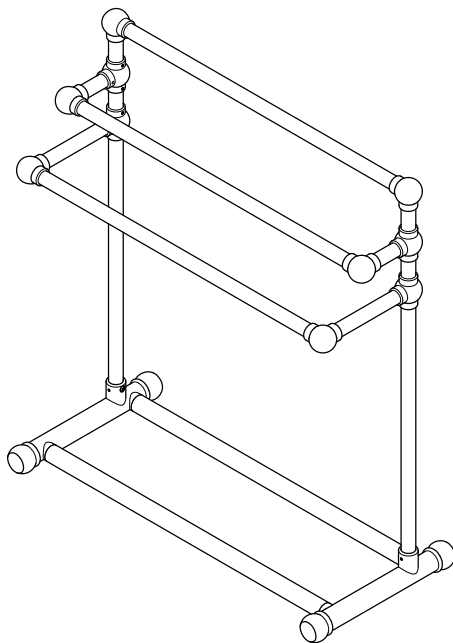


KINGSTON

KITCHEN & BATH

Pedestal Towel Rack Installation



Parts:

□ Shape Base	Straight Tube	Front Bar Set	Side Bar (Long)	Side Bar (Short)
1 Pc	2 Pcs	2 Pcs	2 Pcs	2 Pcs
1 Pc	2 Pcs	1 Pc	2 Pcs	1 Pc
1 Pc	2 Pcs	1 Pc	2 Pcs	1 Pc



WARNING

Lifting hazard.

Single person lift could cause injury.
Use assistance when moving or lifting.

www.kingstonbrass.com
TOLL-FREE CUSTOMER SERVICE: 1-877-2-KBRASS
TECHNICAL SUPPORT E-mail: service@kingstonbrass.com
12775 Reservoir Street, Chino, CA 91710

TOOLS REQUIRED



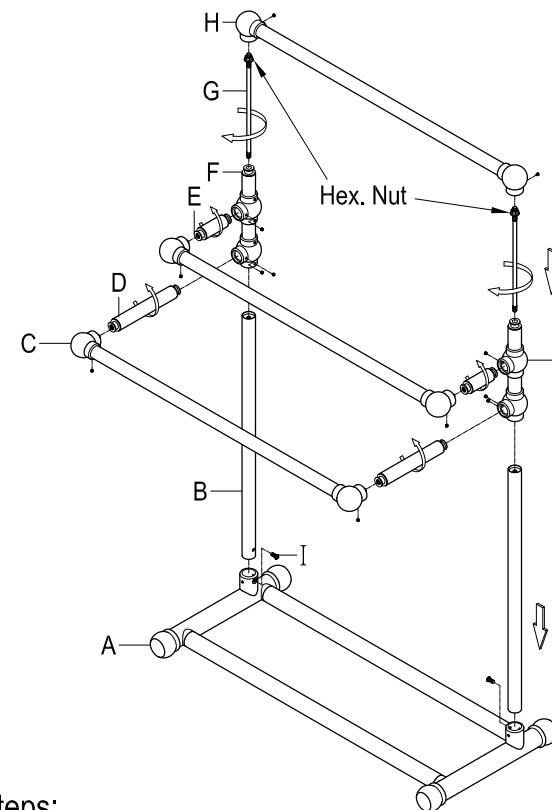
Allen Wrench



Phillips Screwdriver



Adjustable Wrench



Installation Steps:

- Step 1. Place the base (A) on a flat level surface and insert both risers (B).
- Step 2. Insert the 3-way ball joint assembly (F, J) on the riser (B). Insert both bolts (G) through the 3-way ball joint assembly (F, J) to thread-connect with risers (B). Then tighten up the Hex. nuts to secure F & J and tighten up the screws (I).
- Step 3. Insert top bar assembly (H) onto the 3-way ball joint assembly (F, J) and secure by tightening the set screws using an Allen wrench.
- Step 4. Assemble the lower and upper towel bars by threading the long (D) and short (E) horizontal bars.
- Step 5. Insert the upper and lower towel bars onto the 3-way ball joint assembly (F, J) and secure using an Allen wrench.
- Step 6. Check all threaded connections.

Cleaning

Clean with a damp cloth only.
Avoid using metal or abrasive polishes.