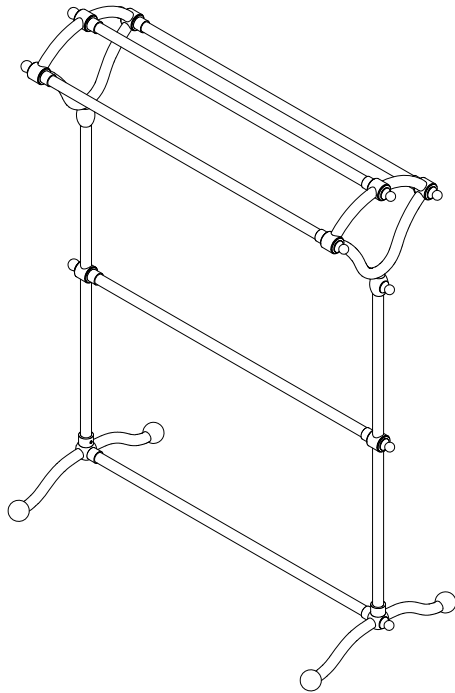




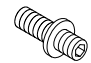

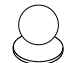

KINGSTON

KITCHEN & BATH

Pedestal 3-Tier Y Type Towel Rack Installation



Parts:

Bolt			Set Screw	Sift Head	
A	B	C	D	E	F
					
# 3	# 7	# 11	# 9	# 4	# 6
8 Pcs	4 Pcs	2 Pcs	2 Pcs	12 Pcs	2 Pcs

www.kingstonbrass.com

TOLL-FREE CUSTOMER SERVICE: 1-877-2-KBRASS

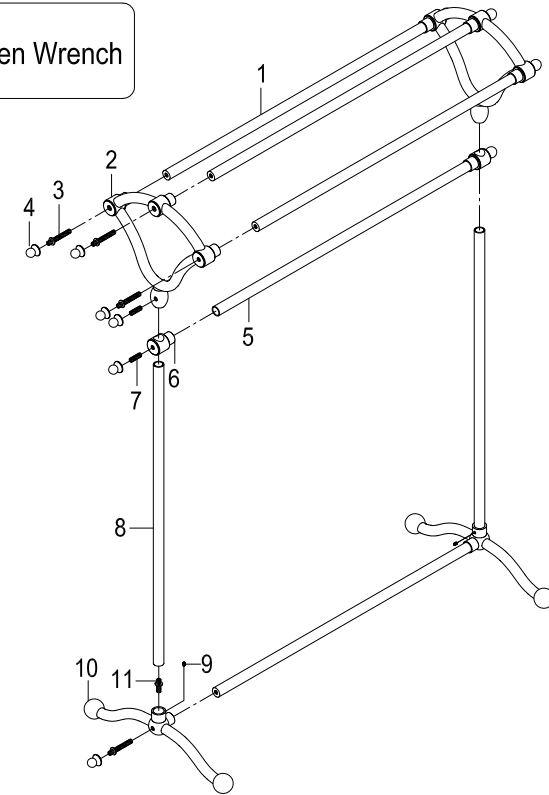
TECHNICAL SUPPORT E-mail: service@kingstonbrass.com

12775 Reservoir Street, Chino, CA 91710

TOOLS REQUIRED



Allen Wrench



Before Installation:

There are a total of seven poles in this product. Five poles (#1 & 5) are longer in length and are for the horizontal installations. The horizontal pole (#5) is for the slide bar, this pole is hollow inside. Two poles (#8) are shorter in length and are for the vertical installation.

Installation Steps:

Step 1. Rack Assembly:

Find the two rack assembly pieces (#2) and secure three horizontal poles (#1) to the assembly with screws (#3).

Step 2. Base Assembly:

Find the two base assembly pieces (#10). Secure the base assembly pieces to the vertical poles (#8) with screws (#11). Place the horizontal pole (#1) between the base assembly pieces and secure with screws (#3).

NOTE: It may be necessary to move the slide bar up or down to place the base pole onto the base assembly pieces.

Step 3. Slide Bar Assembly:

Find the vertical poles (#8). The two vertical poles should be hollow on one side.

Place the hollow ends to the rack assembly (#2) and secure it with bolts (#7). Slide the slide bar caps (#6) onto the vertical poles (#8) and place the hollow slide bar (#5) onto the caps. Secure the slide bar with bolts (#7) but do not tighten.

Step 4. Complete the Installation:

Cover all exposed ends of bolts with sift heads (#4). Position the slide bar and tighten the bolts (#7) to lock the slide bar in place. Use the set screws (#9) to tighten the base assembly pieces (#10) to the vertical poles (#8).

Cleaning

Clean with a damp cloth only.

Avoid using metal or abrasive polishes.