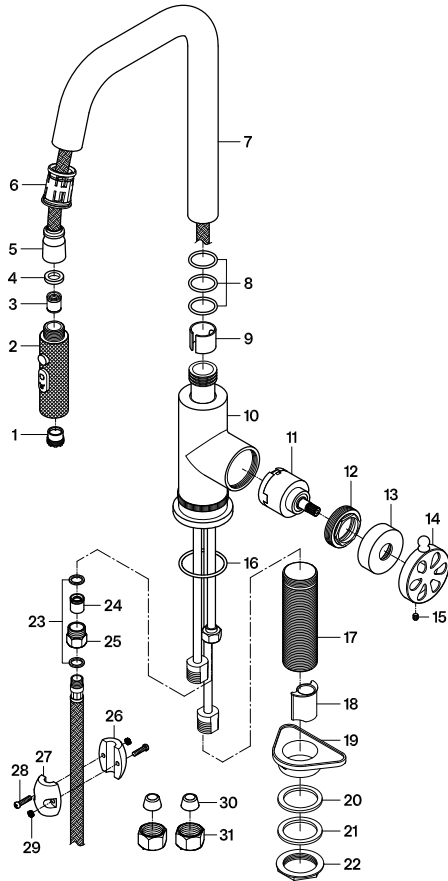
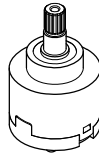


Parts:



Replacement Parts:



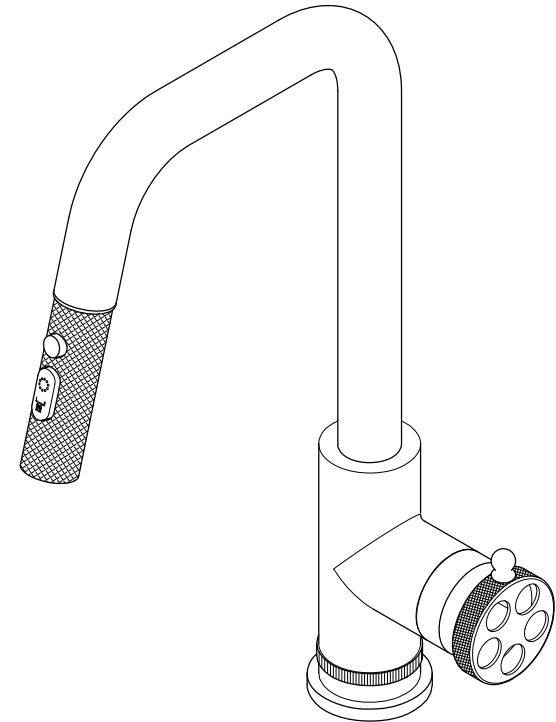
Cartridge: LSRP2731C



Handle: LSH6001RX



GOURMETIER



CARE AND MAINTENANCE OF YOUR FAUCET

Your KINGSTON faucet has been finished to the most strict standards; however, due to the high content of minerals in the water, your finish may appear dull and tarnished after time. These are some do's and don'ts to maintain the luster on your faucet for many years to come.

DO

1. Use a silicon based caulking when installing.
2. Clean your faucet with only a mild soap and water solution.
3. Dry your faucet after using it.
4. Give it a coat of Carnauba Wax periodically.

DON'T

1. Use plumbers putty when installing the faucet.
2. Use any abrasive cleaning agents.

It may seem like a very simple and short list but it is that simple to maintain your faucet, looking shiny and new.

If your faucet is already looking somewhat dull and tarnished, before replacing it, try cleaning it with a 50/50 solution of vinegar and water, you may need to soak some rags and wrap around those stubborn areas, leave overnight and rinse completely in the morning, apply Carnauba wax once you have removed the mineral deposits.

Parts:

Washer & Lock Nut	Support	Brass Adapter	Weight	Cone Washer & Coupling Nut
1Pc	1Pc	1Pc	1Set	2 Pcs

NOTICE

Failure to follow all directions may cause leaks which may result in water damage

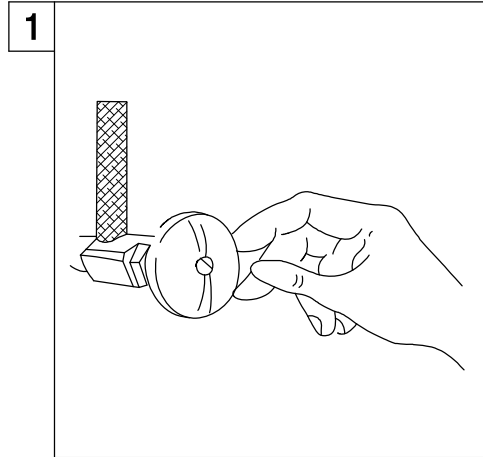
www.kingstonbrass.com

TOLL-FREE CUSTOMER SERVICE: 1-877-2-KBRASS
 TECHNICAL SUPPORT E-mail: service@kingstonbrass.com
 12775 Reservoir Street, Chino, CA 91710

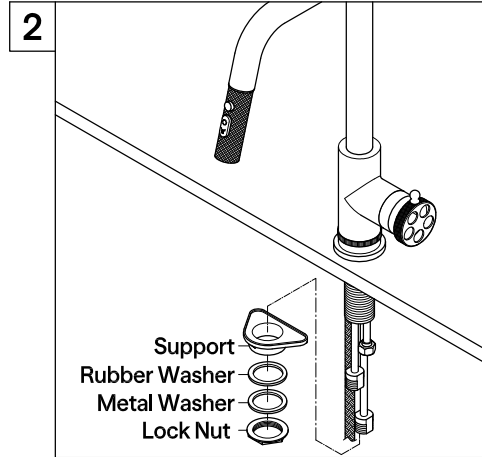
Single Handle Pull-Down Kitchen Faucet Installation Instructions

BEFORE BEGINNING INSTALLATION:

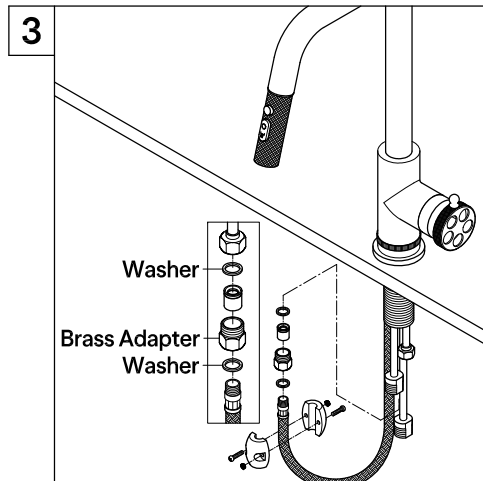
1. Flush plumbing lines to clear any debris.
2. Shut off both supply lines after flushing.



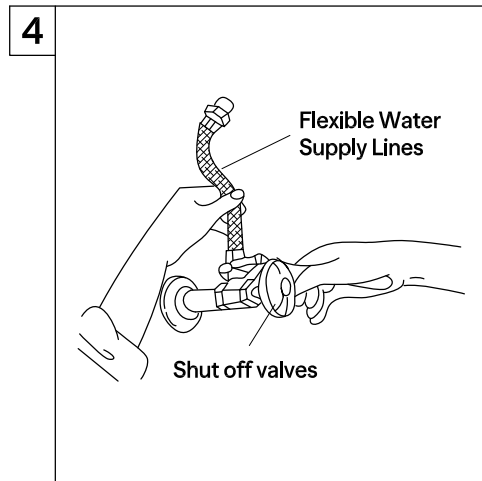
1. Shut off hot and cold water supply under sink. Plug sink drain with cloth to avoid losing small parts. Remove old faucet.



2. Insert the faucet through hole and carefully place the support, washers and lock nut into faucet shank and secure them gently, make sure faucet is in center position.

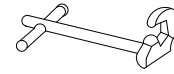


3. Insert the washer into the hose inlet. Install the brass adapter to the hose inlet from below. Attach the counterweight to the hose using the provided washer and screw. Secure the sprayer hose to the hose inlet.



4. Apply Teflon tape to threads on faucet shank and shut off valves, connect water supply line.

Tools Required



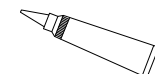
Basin Wrench



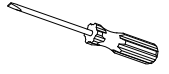
Adjustable Wrench



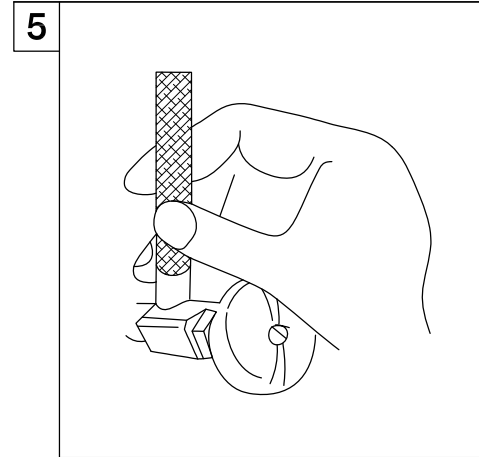
Teflon Tape



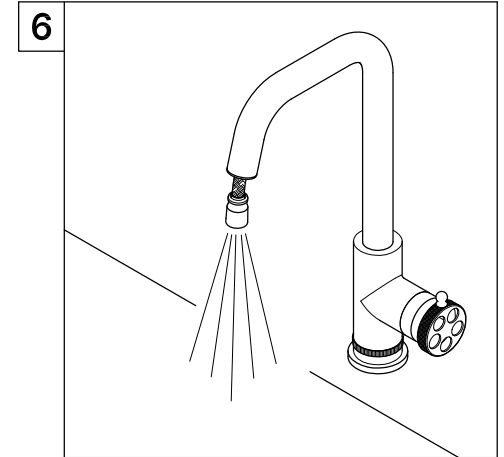
Silicone Sealant



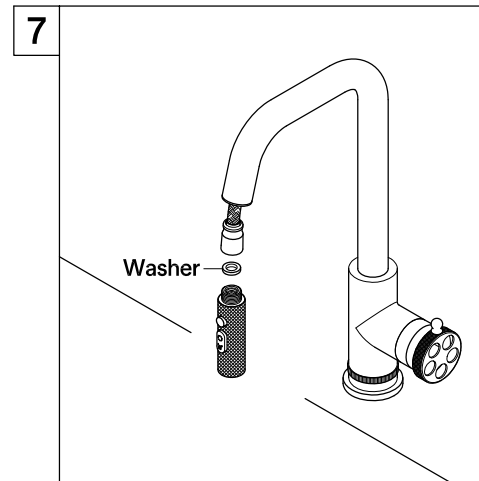
Screwdriver



5. Turn on water supply valves and check for leaks, especially all supply line connections.



6. Pull the spray hose through the spout and hold securely, turn on the faucet and let the water run for at least 1 minute, this will clear any debris from the line.



7. Insert washer and attach spray head, insert spray head onto faucet body.

Warning!!!

- Do not over-tighten nut during installation.
- Over-tighten may crack the valve and cause severe leak.