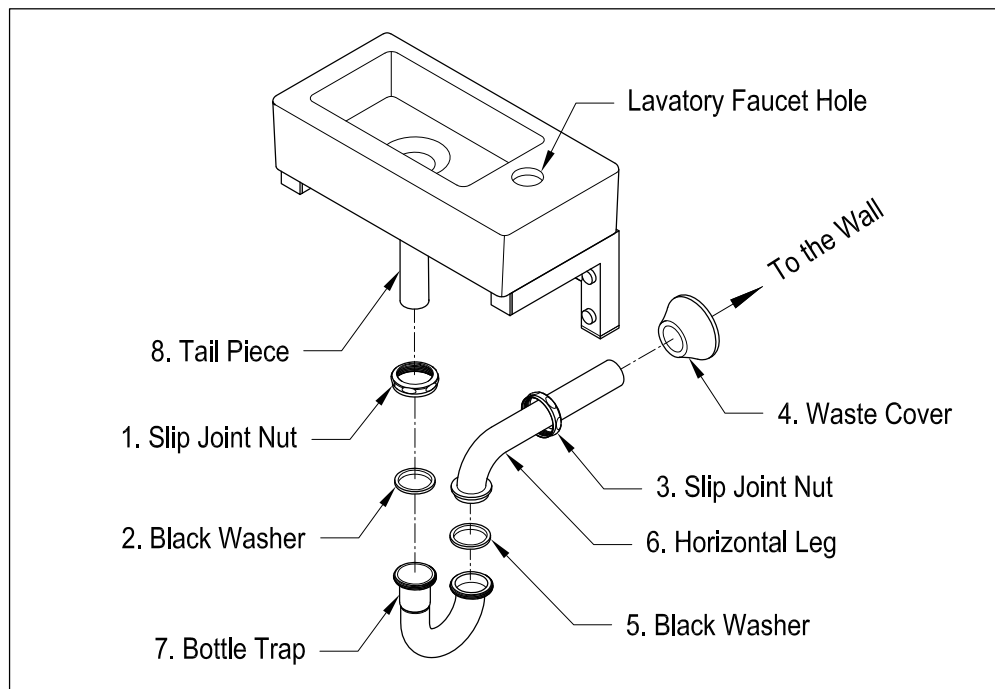
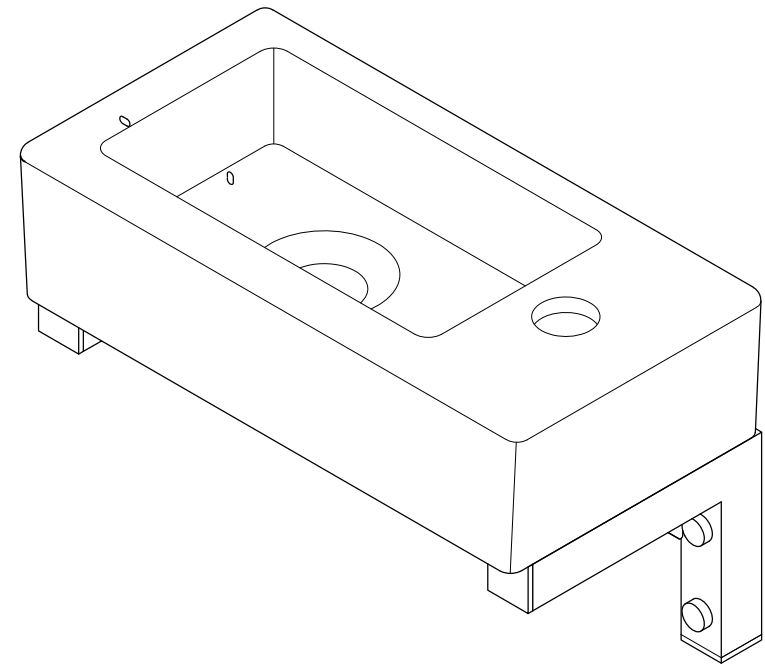


P-Trap Installation:



1. Remove horizontal leg and slip joint nut from bottle trap.
2. Apply Teflon tape to all exposed threads.
3. Insert slip joint nut (3) and waste cover (4) onto horizontal leg (6).
4. Insert horizontal leg into wall waste opening, do not tighten.
5. Insert black washer (2) and slip joint nut (1) onto tail piece (8).
6. Attach bottle trap (7) to tail piece and hand tighten slip joint nut (1).
7. Align bottle trap with horizontal leg and tail piece, at this point it may be necessary to cut part of tail piece or part of horizontal leg to obtain proper alignment.
8. After all components have been properly aligned, insert horizontal leg making sure to insert black washer (5) before tightening slip joint nut (3).
9. Thread both slip joint nuts onto bottle trap and tighten along with slip joint securing horizontal leg to wall waste opening.
10. Check for leakage by opening faucet and letting water run for at least 45 seconds.

FAUCETURE



CAUTION

Failure to follow all installation directions may cause product to detach from the wall and cause serious injury

www.kingstonbrass.com

TOLL-FREE CUSTOMER SERVICE: 1-877-2-KBRASS
TECHNICAL SUPPORT E-mail: service@kingstonbrass.com
12775 Reservoir Street, Chino, CA 91710

FAUCETURE

INSTALLATION INSTRUCTIONS

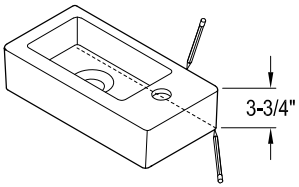
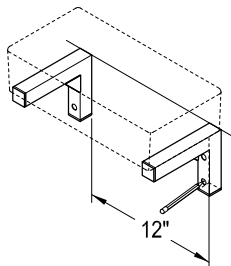
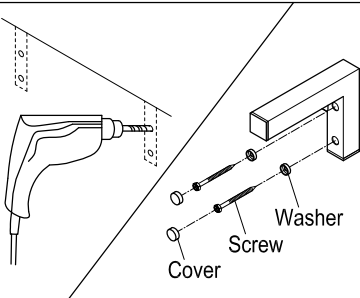
For Use WALL MOUNT BASIN

Before Installation :


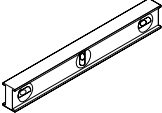
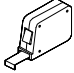
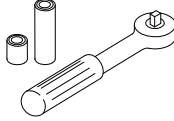
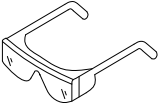



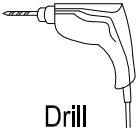
Follow all local building codes.
Open box and make sure that all the components are complete.

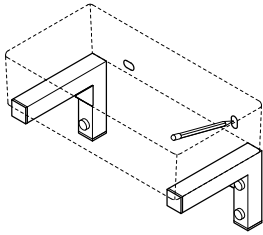
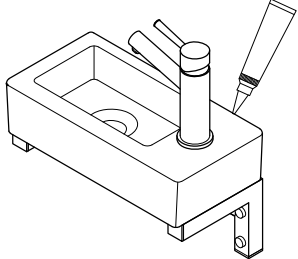
IMPORTANT although, anchors are included with your sink, you must consult a qualified professional to determine the appropriate anchors for your specific site conditions, manufacturer shall not be held liable for any damages caused by a faulty installation of this item.

Installation Step :

1		<p>1. It is recommended that this sink be secured to 2" x 6" lumber bracing on the wall where it is to be installed. Measure the desired height of the sink and mark a horizontal leveled line at the height where the top of the sink will be situated; measure 3-3/4" down from the previous line and mark another horizontal leveled line.</p>
2		<p>2. Place the top of the L brackets at the lower line, allowing a space of 12" between the brackets, and mark the location of the holes.</p>
3		<p>3. Remove the wall hanger and drill 1/16" holes at the marked locations. Insert white washers onto the screws and secure L brackets to the wall; cover screw heads by pressing decorative covers.</p>

Need Tools:

				
Conventional Woodworking Tools & Materials	Socket Wrench	Goggle		
				
Adjustable Wrench	Silicone Sealant	Screwdriver	Drill	

4		<p>4. Place the sink on top of the L Brackets and mark the location of the holes at the back of the sink; remove the sink and drill the appropriate size holes for the screws or anchors that will be used.</p>
5		<p>5. Pre-install the faucet, supply lines and drain on the sink, apply a bead of adhesive caulking to the back of the sink and top of the L brackets, place on top of the L Brackets, secure to the wall, Install P-trap as per manufacturer's instructions and check for leaks around the drain.</p>