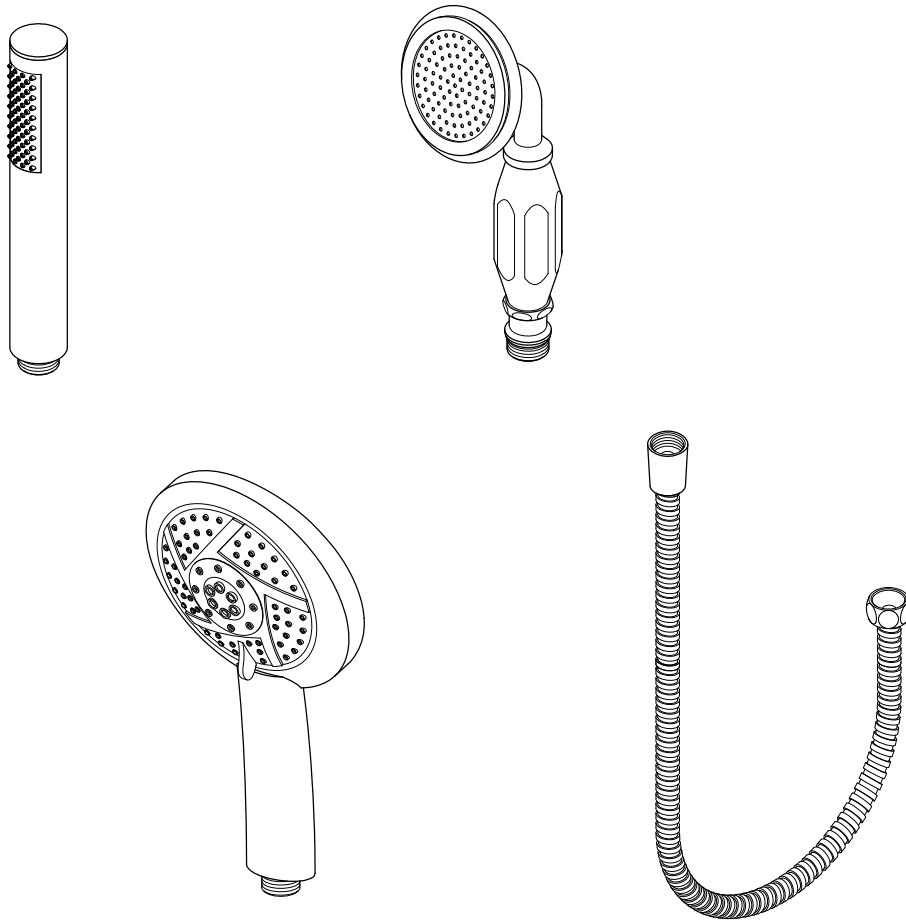




Hand Shower & Shower Hose Installation Instructions



NOTICE

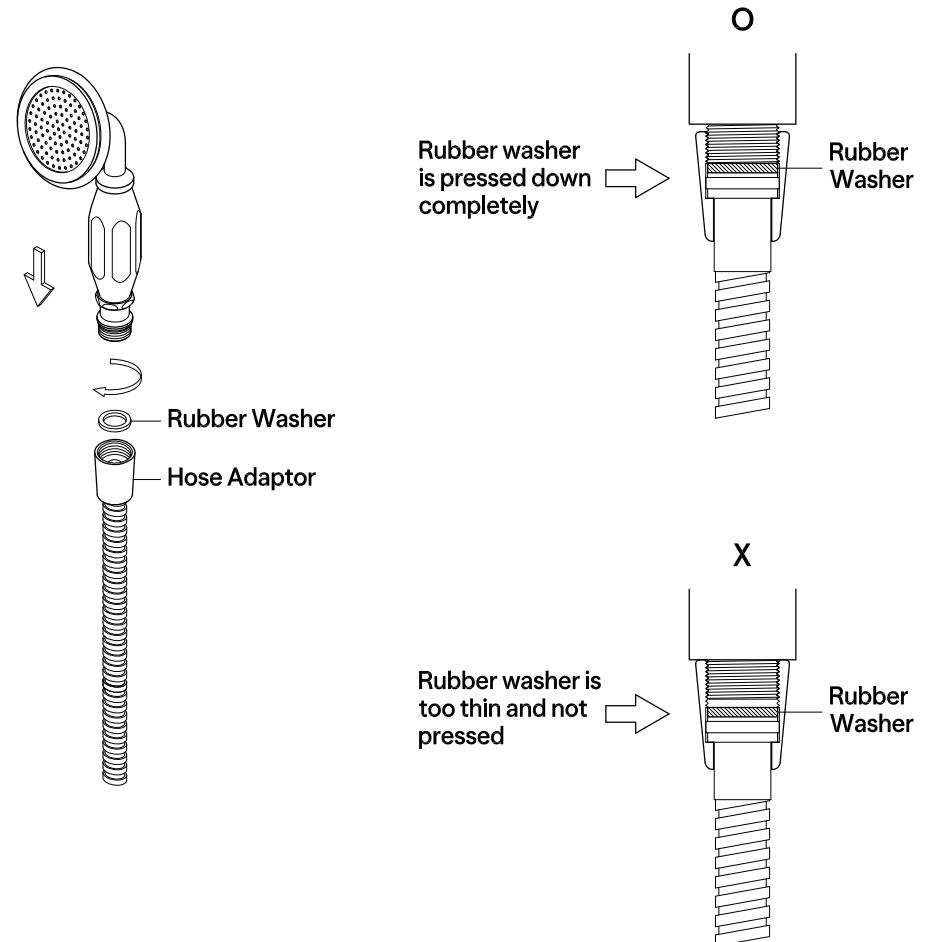
Failure to follow all directions may cause leaks which may result in water damage

www.kingstonbrass.com

TOLL-FREE CUSTOMER SERVICE: 1-877-2-KBRASS
TECHNICAL SUPPORT E-mail: service@kingstonbrass.com
12775 Reservoir Street, Chino, CA 91710

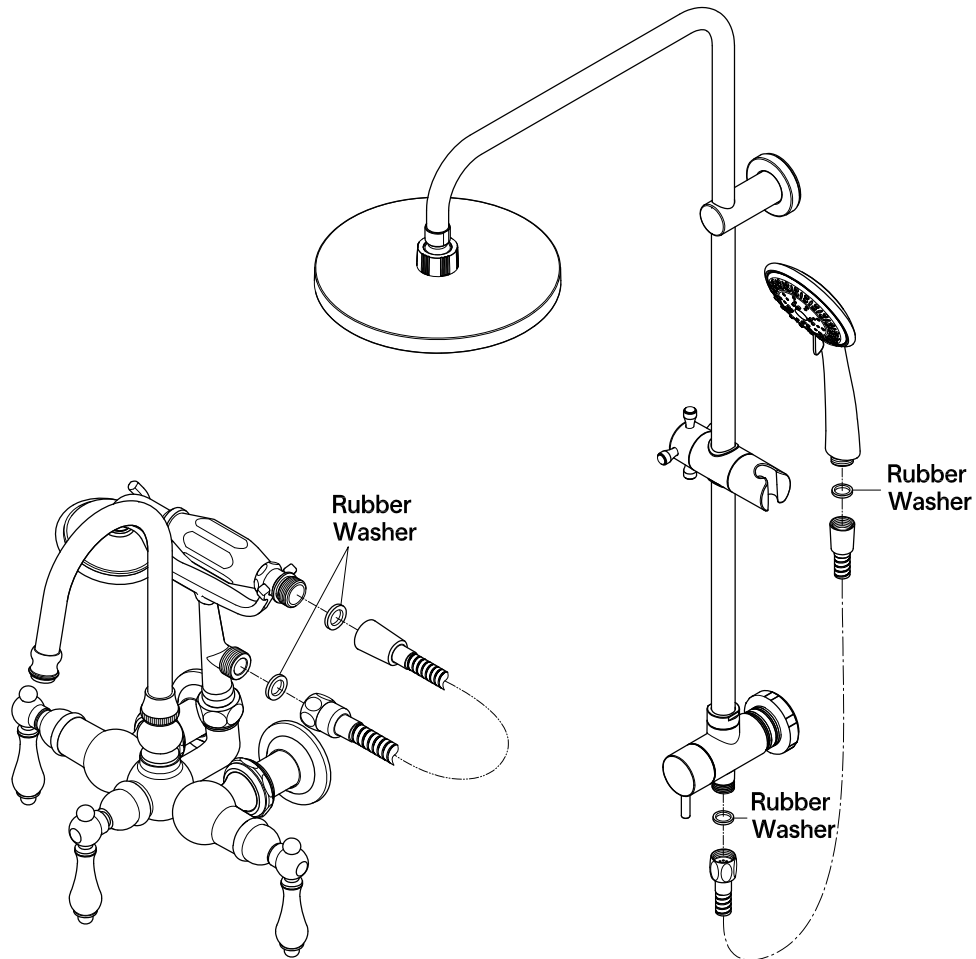
Installation Steps for Hand Shower:

1. Remove the old hand shower from the hose by turning it counter-clockwise.
2. Check the original washer on the hose adapter for any damage; replace if necessary.
3. Clean the washer and remove any debris from inside the hose adapter.
4. Reinsert the washer into the hose adapter, ensuring it sits flat against the bottom.
5. Hand-tighten the new hand shower onto the hose adapter by turning it clockwise. Ensure it's secure but do not over-tighten.
6. Turn on the water to check for leaks around the hose adapter. If leaks are found, loosen and re-tighten the hand shower or replace it with a thicker sealing washer.



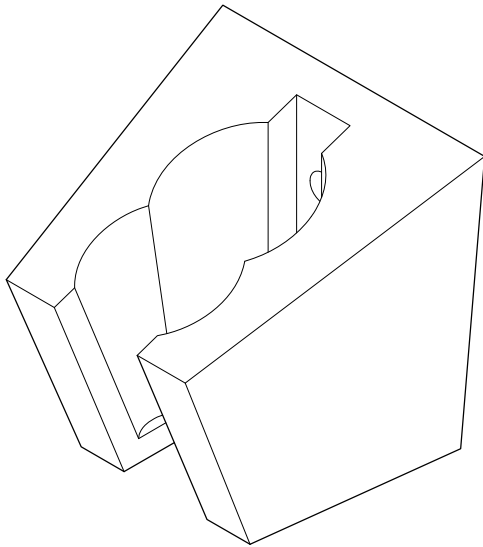
Installation Steps for Shower Hose:

1. Remove the Old Hose, Turn the hose adapter counterclockwise to detach it from the outlet.
2. Insert the enclosed rubber washers into each end of the new shower hose, ensuring they are seated fully inside the adapters.
3. Hand-tighten the end of the hose with the faceted adapter into the outlet. Turn on the water for at least 30 seconds to flush out any debris from the line. Check for leaks at the connection.
4. Hand-tighten the other end of the hose to the hand shower. Turn on the water to check for any leaks, re-tighten if necessary.



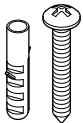


Wall Bracket Installation Instructions



Parts:

Mounting
Screw &
Anchor



2 Pcs

www.kingstonbrass.com

TOLL-FREE CUSTOMER SERVICE: 1-877-2-KBRASS
TECHNICAL SUPPORT E-mail: service@kingstonbrass.com
12775 Reservoir Street, Chino, CA 91710

CAUTION

Failure to follow all installation directions may cause product to detach from the wall and cause serious injury

Tools Required

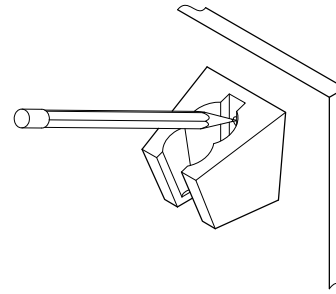


Fig. 1

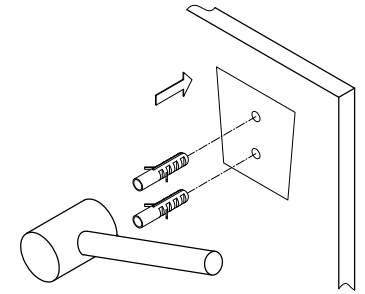


Fig. 2

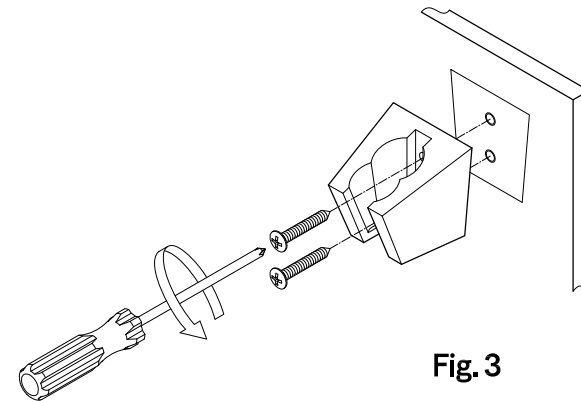


Fig. 3

Installation Steps:

- Step 1. Locate position on the wall and mark outline of cover plate on the wall (Fig. 1).
- Step 2. Locate wall bracket in the center of outline. Mark location of the mounting screw (Fig.1) and drill holes at the marked location.
- Step 3. Insert anchors into the holes until flush with wall (Fig. 2).
- Step 4. Screw the wall bracket to wall with mounting screw (Fig. 3).

Cleaning

Clean with a damp cloth only.
Avoid using metal or abrasive polishes.

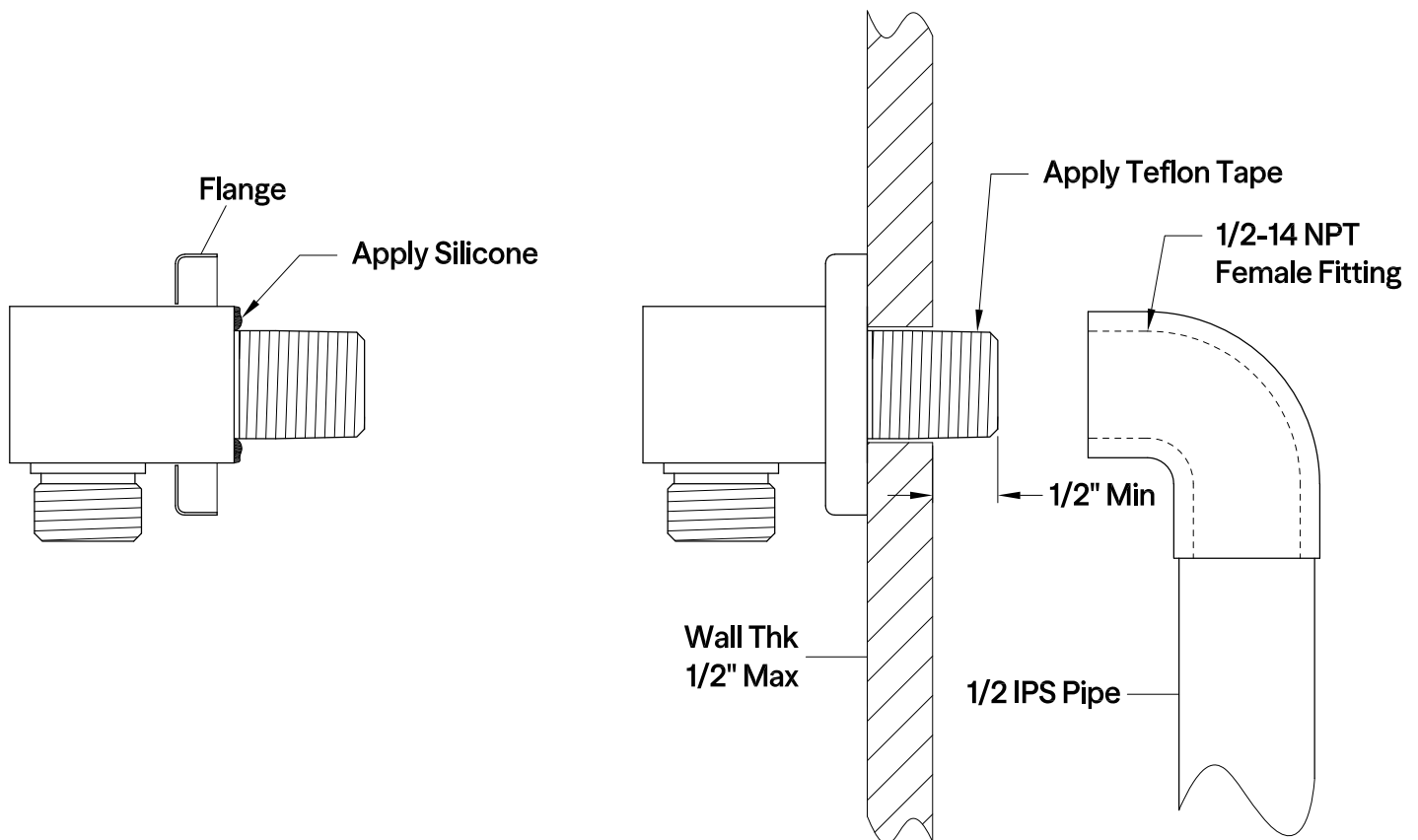
©2025 LVC Kingston LLC. All Rights Reserved.
2025-05-T

Installation Step:

1. At the desired location, drill a hole $\text{Ø}7/8"$ on the wall.
2. Apply silicone on the back of show supply elbow and inset the flange.
3. Install the shower supply elbow through the hole and make sure inlet thread extrudes at least $1/2"$ from the hole.
4. Apply Teflon tape on the $1/2$ -NPT male thread and connect with a $1/2$ -14 NPT female fitting behind the wall.

Do Not Over Tighten The Thread Connection.

5. Push the flange against the wall.



www.kingstonbrass.com

TOLL-FREE CUSTOMER SERVICE: 1-877-2-KBRASS
TECHNICAL SUPPORT E-mail: service@kingstonbrass.com
12775 Reservoir Street, Chino, CA 91710

CAUTION

Failure to follow all installation directions may cause product to detach from the wall and cause serious injury

NOTICE

Failure to follow all directions may cause leaks which may result in water damage