

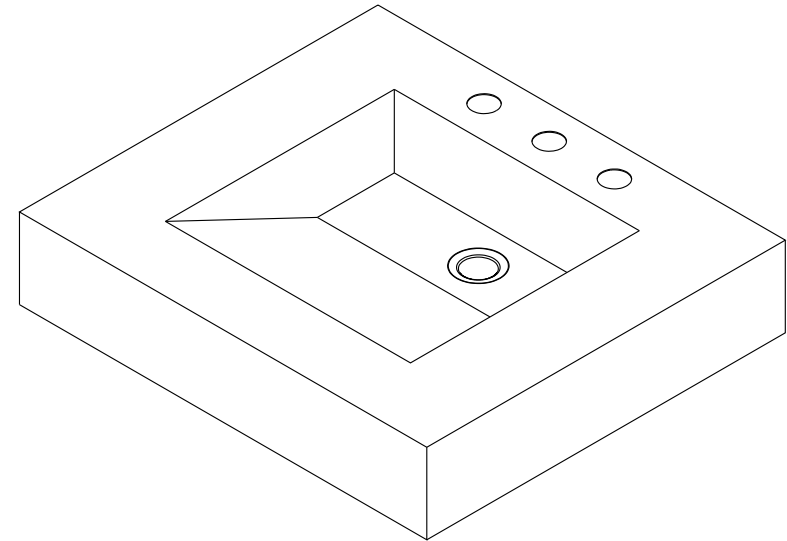
## CARE AND CLEANING

For best usage, keep in mind when caring lavatory products:

1. Use a soft, dry sponge or cloth to wipe lavatory surfaces and nearby surfaces, clean and rinse completely with water immediately after applying cleaner.
2. Do not leave cleaners to soak on surfaces after each use.
3. Do not use abrasive material to clean surfaces, such as brush or scouring pad.
4. Do not leave staining materials in contact with the surface for extended periods of time.

# *KINGSTON BRASS*

THE TRADITION OF FINE BRASS



[www.kingstonbrass.com](http://www.kingstonbrass.com)

TOLL-FREE CUSTOMER SERVICE: 1-877-2-KBRASS

TECHNICAL SUPPORT E-mail: [service@kingstonbrass.com](mailto:service@kingstonbrass.com)

12775 Reservoir Street, Chino, CA91710

# KINGSTON BRASS

THE TRADITION OF FINE BRASS

## KINGSTON BRASS INSTALLATION INSTRUCTIONS SELF-RIMMING LAVATORY SINK

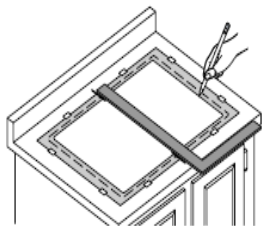
These instructions are for installing Kingston Brass stainless steel lavatory sinks.

### Note:

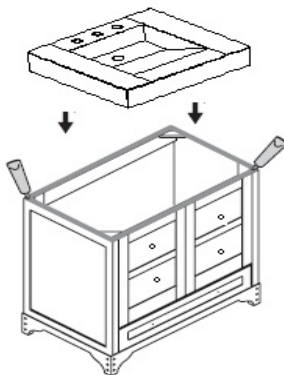
- It is recommended that all countertops be cut and installed by an approved or certified professional.
- Thoroughly inspect the product and all materials for any damage prior to installation. Do not install a damaged or defective unit.
- Responsibility with observing all local plumbing and building codes lies with the consumer.
- Warranty will be voided if the product has not been installed and maintained in accordance with all written instructions accompanying the product.

### For Countertop Installation

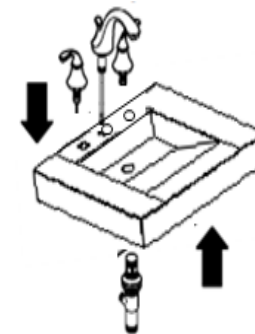
1. Place the sink on counter where it will be installed, make sure item is parallel with the front of the counter.
2. Mark the perimeter of the sink and remove sink, mark new cut-out lines 2" inside the perimeter lines.



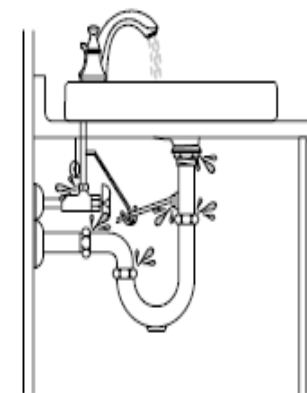
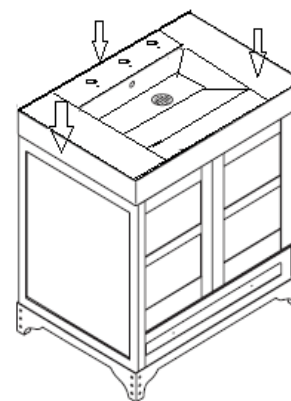
3. Install faucet and drain, apply a bead of silicone based caulking around the bottom of the sink and install in its intended location.



4. Connect the water supply lines and drain line

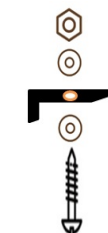
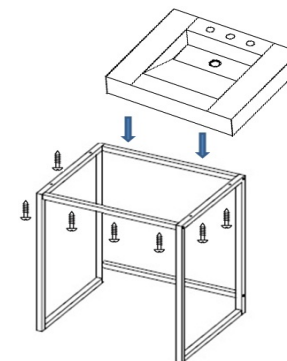


5. Clean excess silicone around the perimeter of the sink, run water into the lavatory and check for leaks, Let silicone dry overnight before using the sink.



### For installation with Console leg base

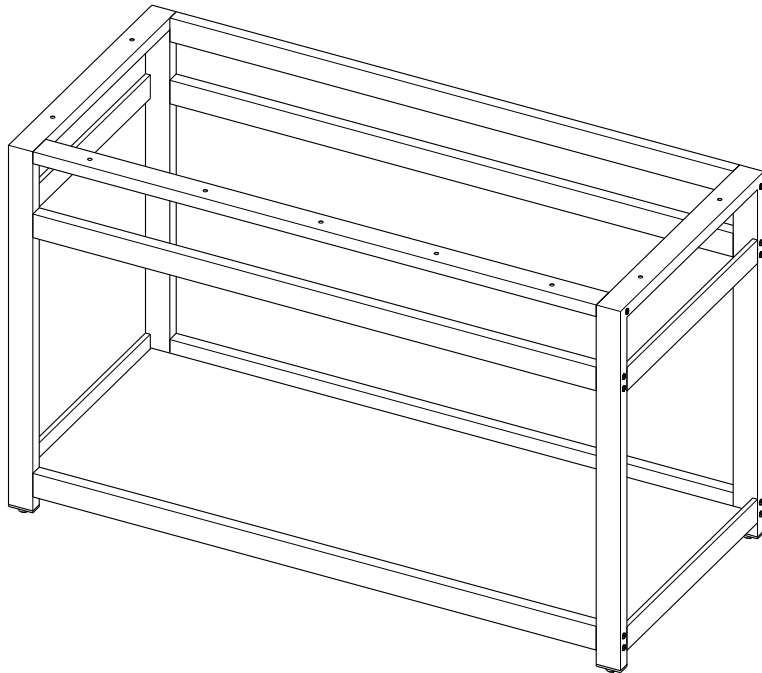
1. Install faucet and drain on lavatory sink.
2. Place lavatory on top of the support base and line up the predrilled holes on top of the support base with the predrilled holes on the bottom of the lavatory.
3. Secure lavatory to the base by attaching with the screws and nuts provided as shown on graphic.
4. Run water into the lavatory and check for leaks.



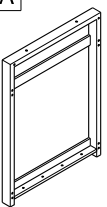
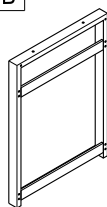


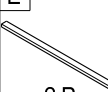
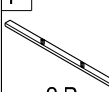
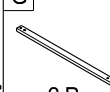
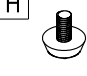
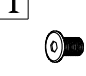
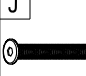
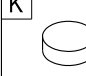
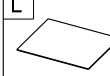
# KINGSTON BRASS

THE TRADITION OF FINE BRASS

## Iron Bathroom Console Sink Base With Glass Shelf Installation



### Parts:

□ Shape		Straight Tube				
						
1 Pc	1 Pc	1 Pc	1 Pc	2 Pcs	2 Pcs	2 Pcs
		Screw		Bolt	Gasket	Glass Shelf
						
4 Pcs	8 Pcs	20 Pcs	12 Pcs	1 Pc		

[www.kingstonbrass.com](http://www.kingstonbrass.com)

TOLL-FREE CUSTOMER SERVICE: 1-877-2-KBRASS

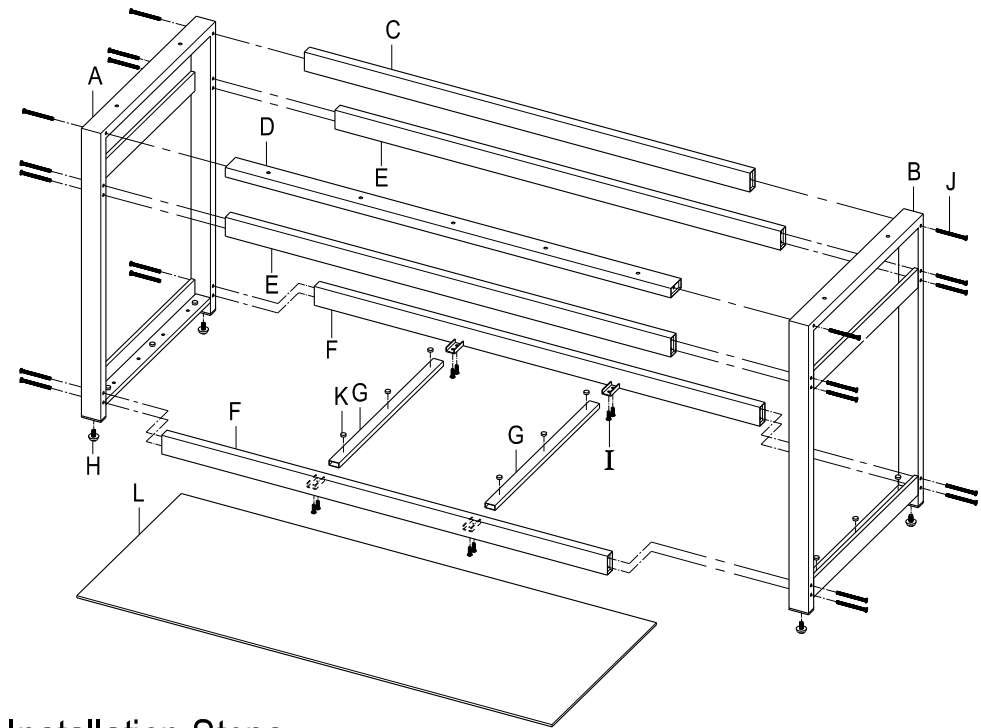
TECHNICAL SUPPORT E-mail: [service@kingstonbrass.com](mailto:service@kingstonbrass.com)

12775 Reservoir Street, Chino, CA91710

### TOOLS REQUIRED



Allen Wrench



### Installation Steps:

- Step 1. Thread adjustable leg screws (Part H) to the bottom of Parts A & B.
- Step 2. Locate the two pieces of Part F as well as Part G. Place Part G in the groves and secure with the short screw (Part I). Repeat again for the second Part G.
- Step 3. Locate Part A and Part B, face the sides with railing to each other and secure Part F from Step 2 using the long screws (Part J). Do not secure completely until the end of installation to leave room for the other support bars.
- Step 4. Install Part E to the frame using the long screws (Part J) and do not secure completely.
- Step 5. Install Part D and Part C using the same procedures as above. Once all bars are secure, use the Allen wrench to secure the screws completely to the frame.
- Step 6. Flip the sink base upright and ensure all screws have been tightened, apply Part K to Part A, B and G, then install the glass panel to the sink base. Exercise caution when installing the glass panel.
- Step 7. Level entire structure by adjusting leg screws (Part H) as necessary.

### Cleaning

Clean with a damp cloth only.  
Avoid using metal or abrasive polishes.