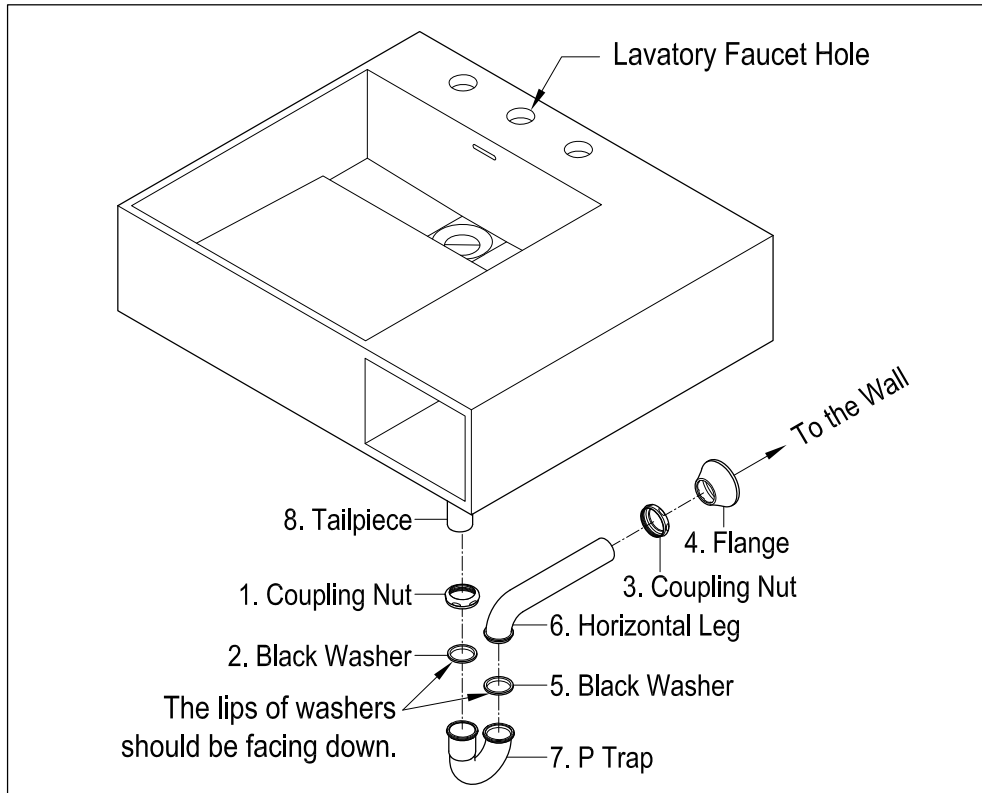
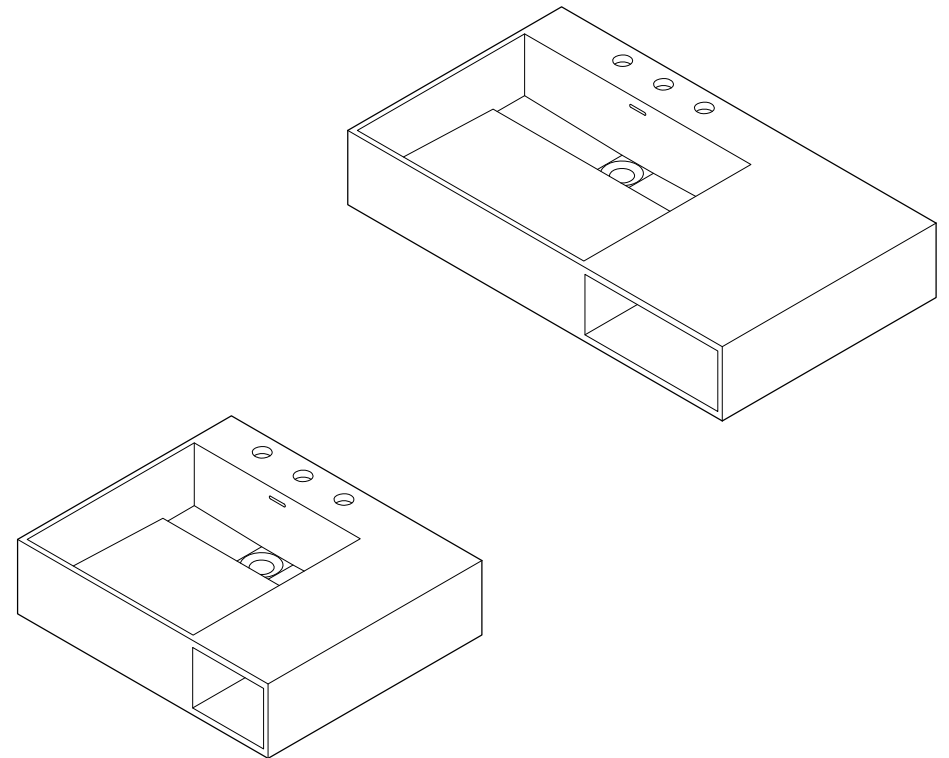


## P-Trap Installation:



1. Insert horizontal leg (6) into wall drain stub-out.
2. Remove coupling nut (1) and black washer (2) from the P-trap (7).
3. Insert coupling nut (1) and black washer (2) onto the tailpiece (8), make sure the lip of washer is facing down.
4. Attach P-trap to the tailpiece (8). Slowly and carefully move the black washer (2) down to touch the inlet of P-trap (7) by hand. Then tighten up the coupling nut (1).
5. Align P-trap (7) with horizontal leg (6) and tailpiece (8), at this point it may be necessary to cut part of tailpiece (8) or part of horizontal leg (6) to obtain proper alignment.
6. Check if all components are properly tightened.
7. Run water. If leaks appears and tightening doesn't correct it, loosen coupling nuts (1) or (3), check black washers (2) and (5) are properly installed. Retighten coupling nuts (1) or (3).

# FAUCETURE



## CAUTION

Failure to follow all installation directions may cause product to detach from the wall and cause serious injury

## NOTICE

Failure to follow all directions may cause leaks which may result in water damage

www.kingstonbrass.com  
TOLL-FREE CUSTOMER SERVICE: 1-877-2-KBRASS  
TECHNICAL SUPPORT E-mail: service@kingstonbrass.com  
12775 Reservoir Street, Chino, CA 91710



## WARNING

### Lifting hazard.

Single person lift could cause injury.  
Use assistance when moving or lifting.

# FAUCETURE

## INSTALLATION INSTRUCTIONS

### WALL MOUNT SINK

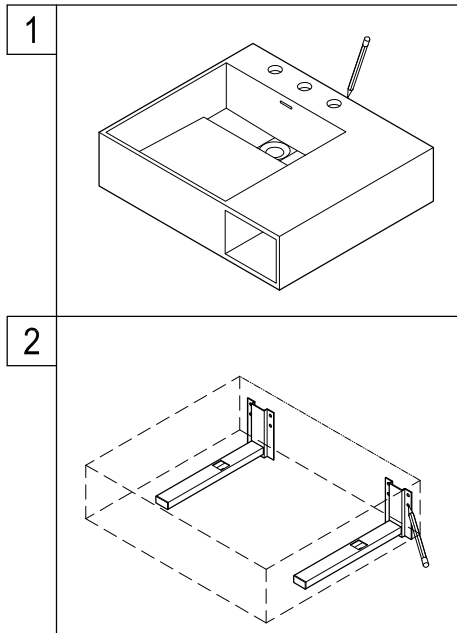
This sink is designed to be wall mounted, please follow the directions accordingly.

### Before Installation

- Follow all local building codes.
- Open box and make sure that all the components are complete.
- Because of the weight of this sink it is recommended that you recruit the assistance of a second person.
- Attach 2" x 6" or larger lumber bracing at the area where the sink will be installed.

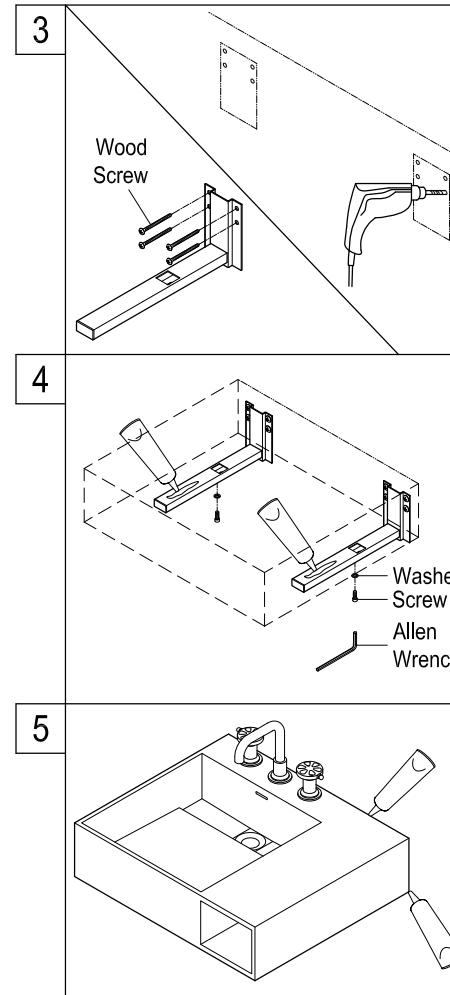
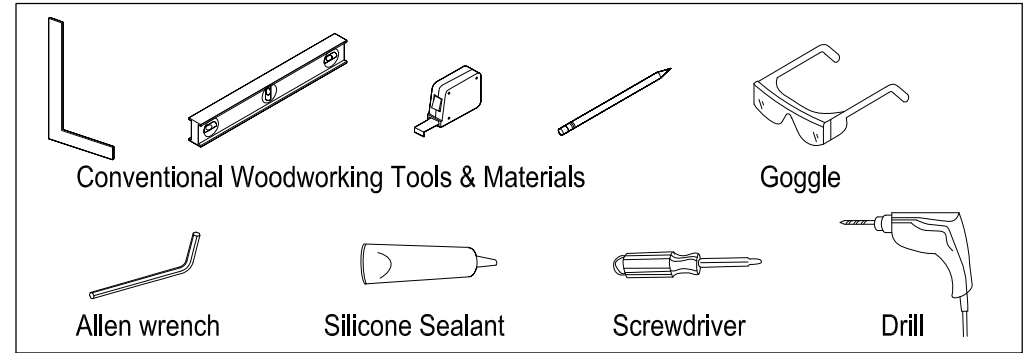
**IMPORTANT** you must consult a qualified professional to determine if anchors are required and recommendation of the appropriate anchors for your specific site conditions, manufacturer shall not be held liable for any damages caused by a faulty installation of this item.

### For wall mount installation



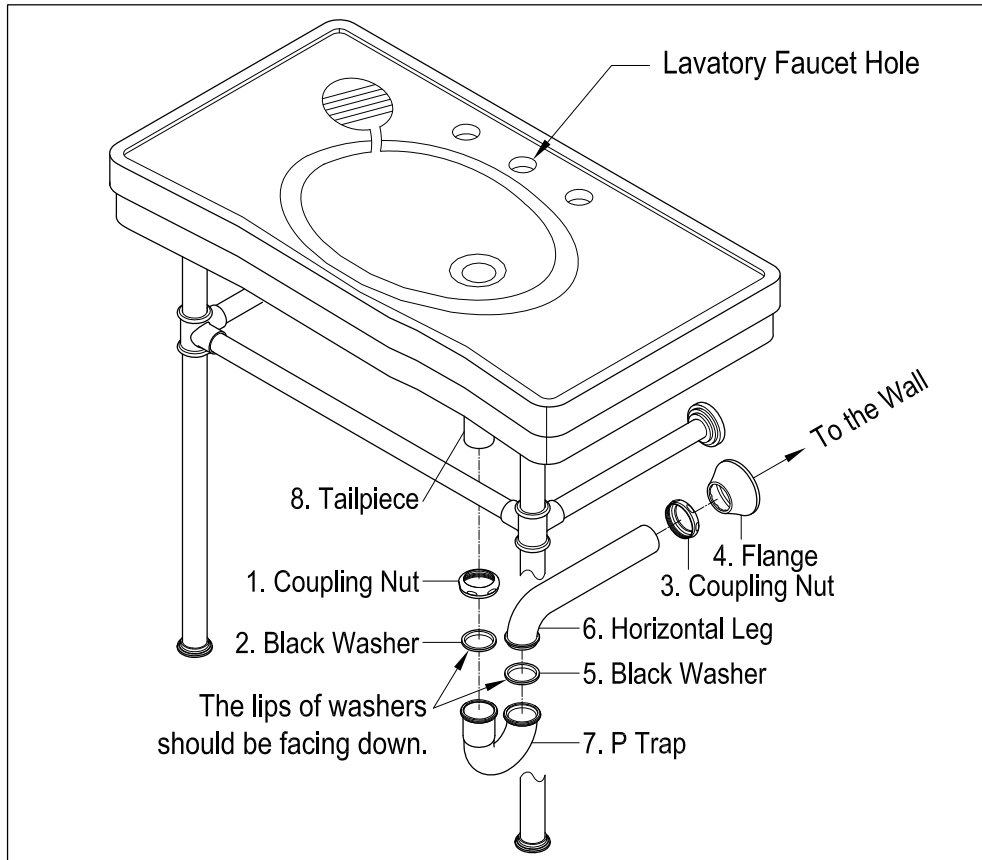
1. It is recommended that this sink be secured to 2" x 6" lumber bracing on the wall where it is to be installed. Measure the desired height of the sink and mark a horizontal leveled line at the height where the top of the sink will be situated.
2. Place enclosed template at the marked line and mark the perimeter and hole location of the vertical L bracket.

### Need Tools:



3. Remove the wall hanger and drill 1/16" holes at the marked locations. Insert the wood screws and secure L brackets to the wall.
4. Pre-install the faucet, supply lines and drain on the sink, apply a bead of adhesive caulking to the back of the sink and top of the L brackets.
5. Place the sink on the wall at the location where it will be installed and slide down onto the wall brackets. Insert the washer onto the screw and secure the L brackets to the bottom of the sink using an Allen wrench.
6. Check that the sink is level from side to side and front to back, add wood shims if necessary, once sink has been leveled, fill the gaps using silicone caulking.

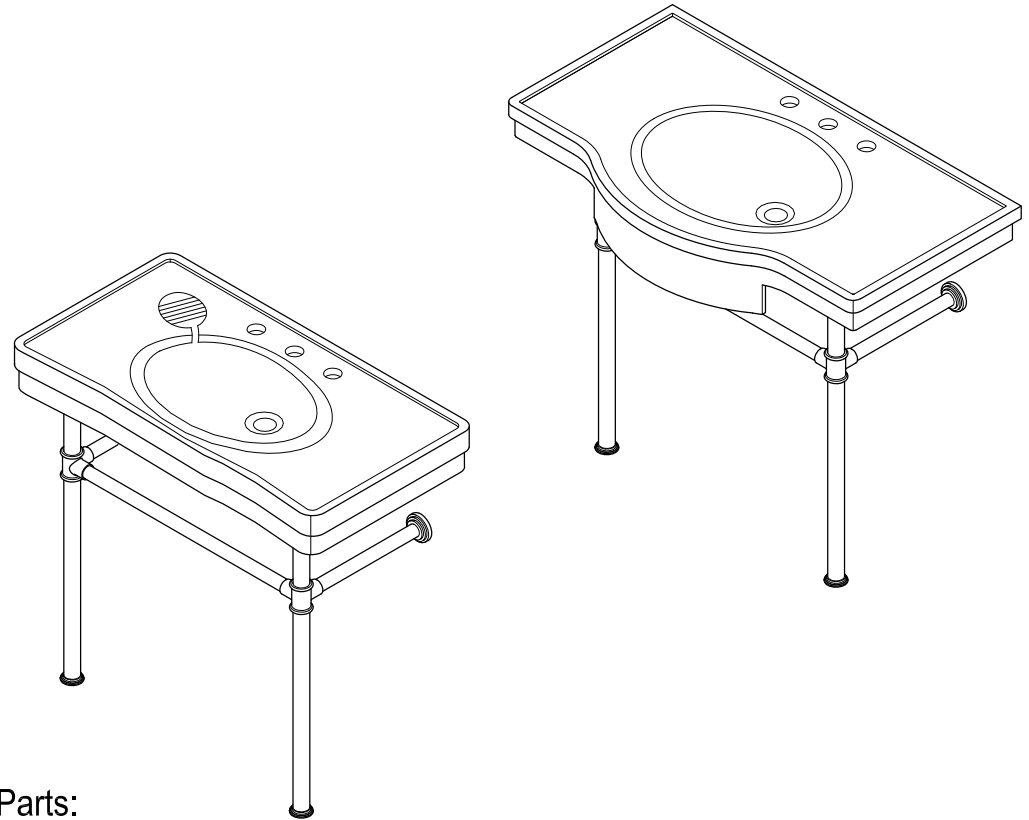
## P-Trap Installation:



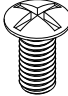

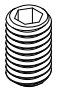
1. Insert horizontal leg (6) into wall drain stub-out.
2. Remove coupling nut (1) and black washer (2) from the P-trap (7).
3. Insert coupling nut (1) and black washer (2) onto the tailpiece (8), make sure the lip of washer is facing down.
4. Attach P-trap to the tailpiece (8). Slowly and carefully move the black washer (2) down to touch the inlet of P-trap (7) by hand. Then tighten up the coupling nut (1).
5. Align P-trap (7) with horizontal leg (6) and tailpiece (8), at this point it may be necessary to cut part of tailpiece (8) or part of horizontal leg (6) to obtain proper alignment.
6. Check if all components are properly tightened.
7. Run water. If leaks appears and tightening doesn't correct it, loosen coupling nuts (1) or (3), check black washers (2) and (5) are properly installed. Retighten coupling nuts (1) or (3).

**Cleaning Instructions:** Wipe this whole set off with warm water and a soft cloth. Do not use soaps, cleansers, or brass cleaners as they will disintegrate the protective coating and leave the brass exposed therefore causing tarnishing.

# FAUCETURE



## Parts:

Screw	Mounting Screw	Floor Pin
		
4 Pcs	8 Pcs	2 Pcs

**CAUTION**

Failure to follow all installation directions may cause product to detach from the wall and cause serious injury

www.kingstonbrass.com  
 TOLL-FREE CUSTOMER SERVICE: 1-877-2-KBRASS  
 TECHNICAL SUPPORT E-mail: service@kingstonbrass.com  
 12775 Reservoir Street, Chino, CA 91710

# FAUCETURE

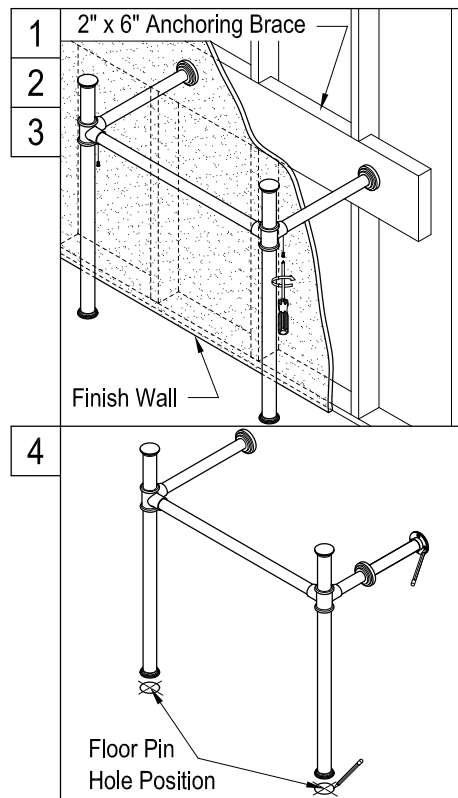
## INSTALLATION INSTRUCTIONS

### Console Sink Legs

#### Before Installation :

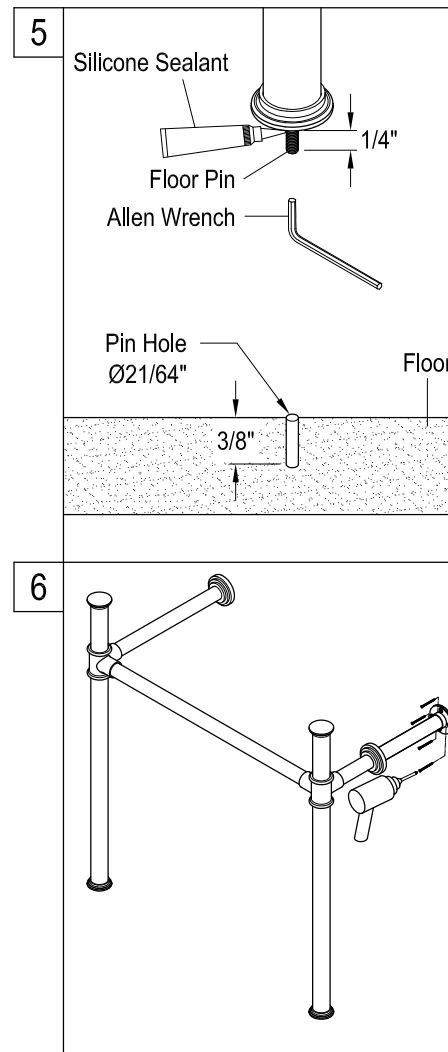
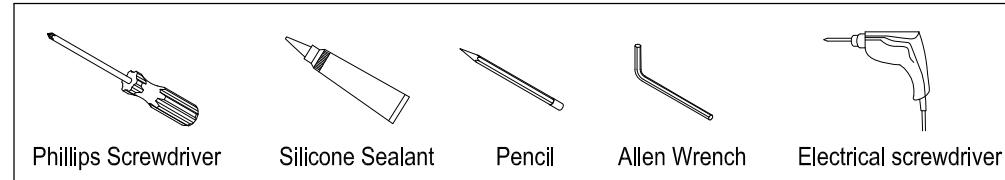
1. Before beginning the installation of your console pedestal basin, it is important to identify the type of wall where the pedestal will be installed and prepare the installation location accordingly.
2. Install an anchoring brace in the wall prior to installing the drywall, this can be a 2" x 6" piece of wood that will fit between the two studs, then install drywall and finish as usual. Due to the excessive weight of this pedestal it should not be mounted on drywall unless it is properly secured to the anchoring brace.
3. For safety concern, make sure your sink has proper wall mounting parts or brackets to fix the sink on wall.
4. For maximum weight capacity, we recommend that you can use our bracket # VSPLBRKT as shown in the last page.
5. For higher installation height (34" & 36"), we recommend that you can use our extension-leg parts # VPBL31488\* (3.5") or # VPBL51488\* (5.5").

#### Installation Step :



1. Join the two vertical leg supports by inserting the horizontal crossbar into the leg support tees, and secure by tightening screw from underneath.
2. Insert the two horizontal short arms (wall support arm) into the leg support tees, and secure by tightening screw from underneath.
3. Place the leg support assembly at the location where the console basin will be installed. Adjust to make sure the vertical legs are plumb and horizontal arms are level.
4. Use pencil to mark the locations of wall support flanges and floor pin holes. Remove the leg support assembly. If you want to fix the legs on the floor, drill pin holes  $\text{Ø}21/64"$  X  $3/8"$  deep on the floor.

#### Need Tools:



5. If you choose to fix the legs on the floor, apply silicone sealant on the threaded end of the floor pin and secure it into the bottom of legs with an Allen wrench. Make sure the floor pin protrude  $1/4"$  from the bottom surface.
6. Move and adjust the position of the leg support assembly, so the two floor pins can completely go into the drilled holes on the floor. Then secure the leg support assembly to the wall by tightening all the wood screws on the wall flanges.