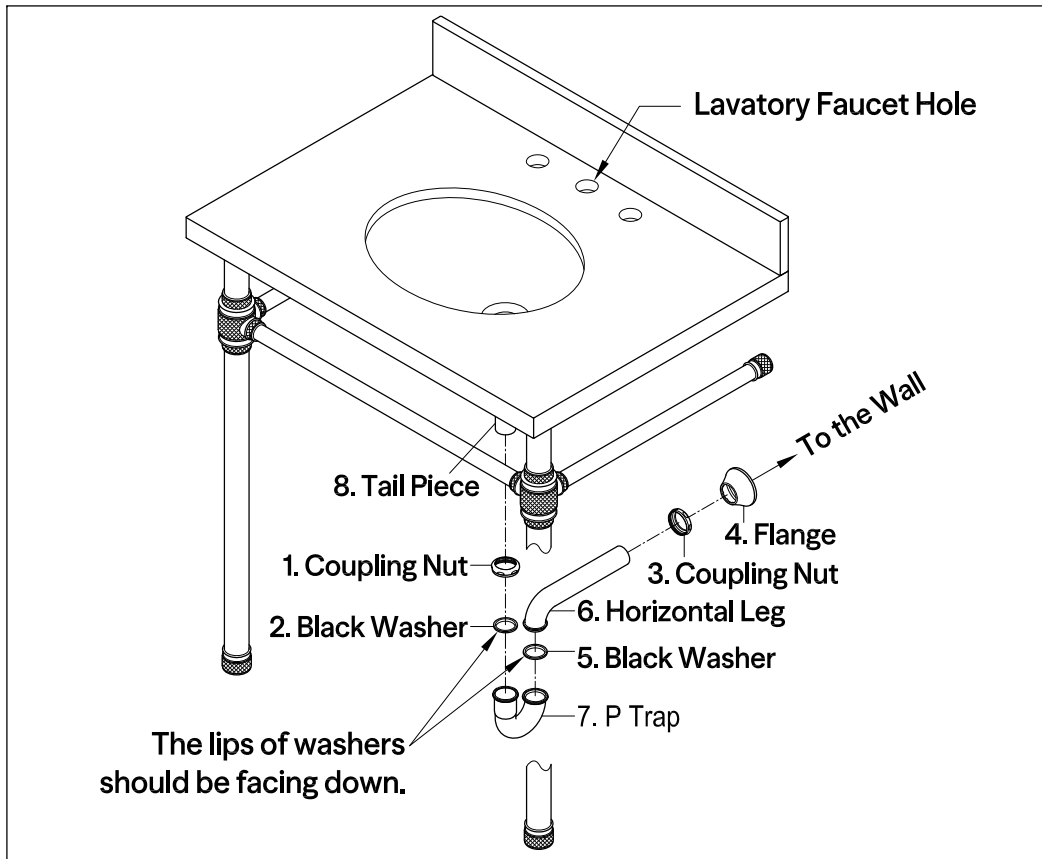


## P-Trap Installation:

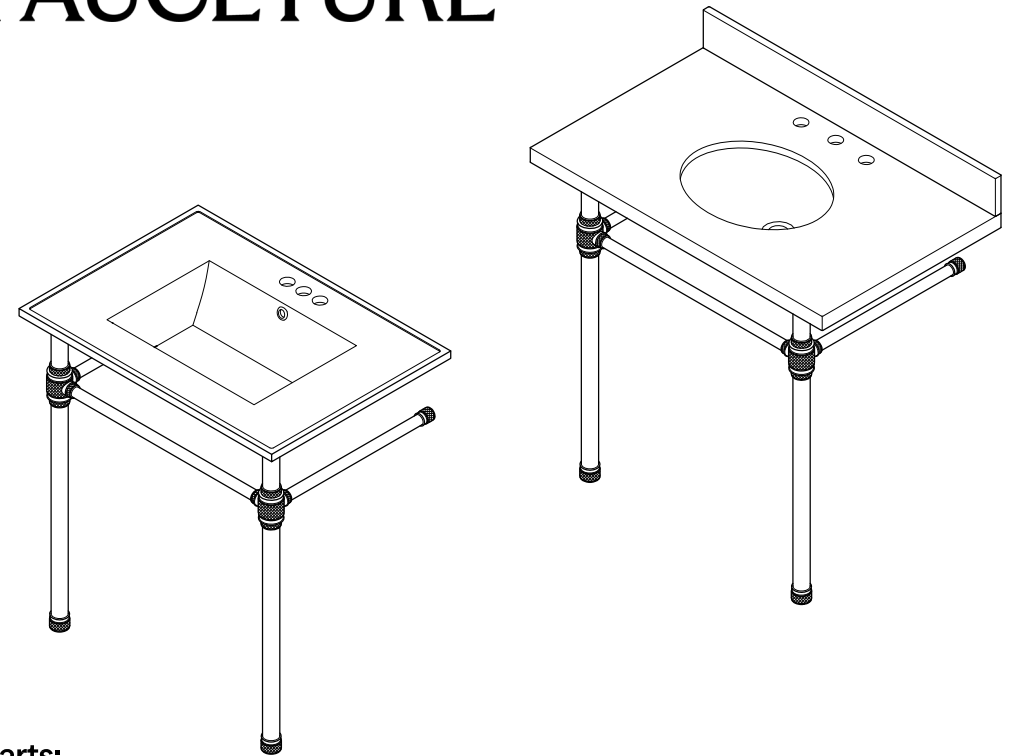


1. Insert horizontal leg (6) into wall drain stub-out.
2. Remove coupling nut (1) and black washer (2) from the P-trap (7).
3. Insert coupling nut (1) and black washer (2) onto the tailpiece (8), make sure the lip of washer is facing down.
4. Attach P-trap to the tailpiece (8). Slowly and carefully move the black washer (2) down to touch the inlet of P-trap (7) by hand. Then tighten up the coupling nut (1).
5. Align P-trap (7) with horizontal leg (6) and tailpiece (8), at this point it may be necessary to cut part of tailpiece (8) or part of horizontal leg (6) to obtain proper alignment.
6. Check if all components are properly tightened.
7. Run water. If leaks appears and tightening doesn't correct it, loosen coupling nuts (1) or (3), check black washers (2) and (5) are properly installed. Retighten coupling nuts (1) or (3).

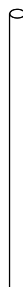
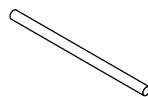



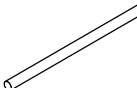



**Cleaning Instructions:** Wipe this whole set off with warm water and a soft cloth. Do not use soaps, cleansers, or brass cleaners as they will disintegrate the protective coating and leave the brass exposed therefore causing tarnishing.

 KINGSTON

# FAUCETURE



## Parts:

Support Leg	Front Bar	Top Flange & Floor Flange	4-Way Joint	Wall Flange
<b>A</b>  2 Pcs	<b>B</b>  1 Pc	<b>D</b>  4 Pcs	<b>E</b>  2 Pcs	<b>F</b>  2 Pcs
	Side Bar	Floor Screw	Wooden Screw	Buffer Pad
	<b>C</b>  2 Pcs	<b>G</b>  2 Pcs	<b>H</b>  2 Pcs	<b>I</b>  2 Pcs

 **CAUTION**

Failure to follow all installation directions may cause product to detach from the wall and cause serious injury

[www.kingstonbrass.com](http://www.kingstonbrass.com)

TOLL-FREE CUSTOMER SERVICE: 1-877-2-KBRASS  
TECHNICAL SUPPORT E-mail: [service@kingstonbrass.com](mailto:service@kingstonbrass.com)  
12775 Reservoir Street, Chino, CA 91710

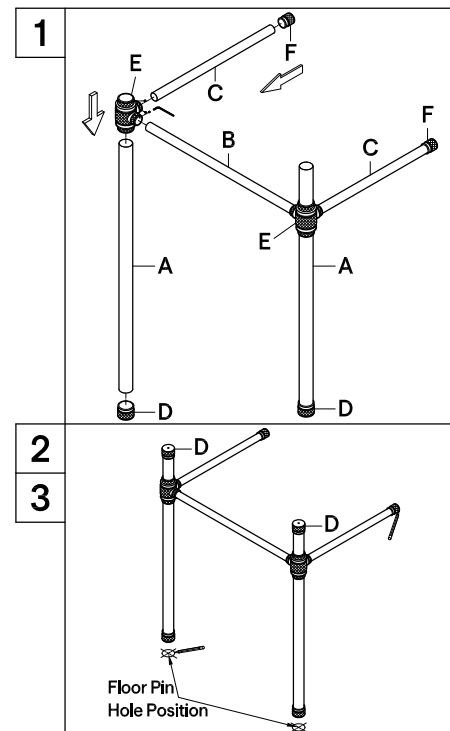
# FAUCETURE

## Console Sink Legs Installation Instructions

### Before Installation :

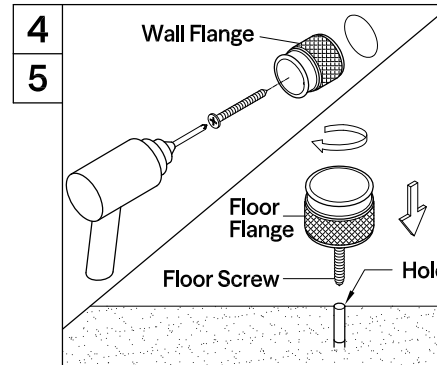
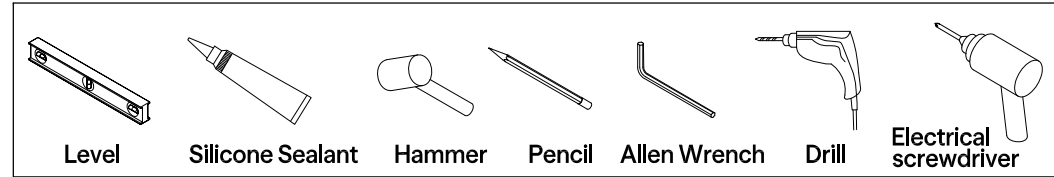
1. Unpack your new KINGSTON product and inspect it keep the product in its original package until you are ready to install it.
2. Shut the water supply off when replacing an existing fixture. Preparation of the floors and walls, including all additional wall supports, maybe required.
3. Observe all local plumbing and building codes.
4. It is recommended that you enlist the assistance of a second person to install this unit.
5. Make sure to select appropriate drain as some of Kingston Brass vessel sinks do not include overflow hole.
6. The weight capacity of this unit is solely dependent on its installation.
  - a) Once the location has been selected, make sure to install 2" x 6" lumber or larger wood bracing, in order to secure the console properly.
  - b) Make sure your sink has come with wall-mounting screw hardware or bracket to fix on the wall.
  - c) If not, for safety concern, we recommend that you use our bracket # VSPLBRKT, bracket should be attached to 2" x 6" lumber or larger wood bracing for added safety

### Installation Step :

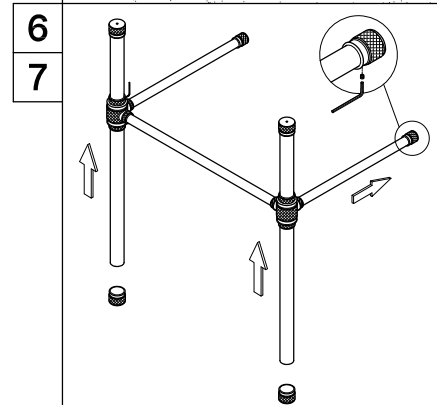


1. Start by assembling the right and left support legs (A) as shown in Figure 1. If necessary, refer to the parts breakdown chart included in these installation instructions. After assembling the right and left sides of the support legs, attach the front bar (B) to both sides. Refer to the drawing for the height of front bar and 4-way joints (E), fix them to the required position. Attach side bars (C) to the 4way joints. Make sure to tighten all set screws on the leg support assembly. Finally, attach the flanges (F) to the two side bars (C) and the flanges (D) beneath both legs and their tops.
2. With the help of a second person position the leg support assembly at the desired location, make sure to level and plumb the leg support assembly, mark the location of the holes on the wall support flanges as well as the perimeter of the location where the legs will be secured to the floor
3. Remove the leg support assembly. Locate the center-points of the two floor flanges and drill 5/16" holes on the floor.

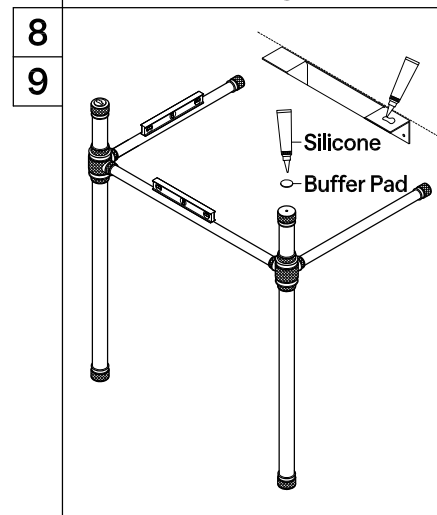
### Tools Required



4. Install the wall flanges (F) by securing them with wood screws (H) using an electric screwdriver at the marked locations on the wall. If you are unable to secure the flanges to wood bracing as specified, consult your contractor to determine the appropriate anchors for your application.
5. Attach the floor screws (G) to the floor flanges (D) and fix them to the floor.



6. Reposition the leg support assembly and insert the side bars into both wall flanges (F). Then, secure the assembly to the wall by tightening the set screws on the wall flanges (F) with an Allen wrench.
7. Loosen the set screws of the 4-way joints for the support legs, raise the support legs, and insert them into the floor flanges so they fit properly. Level the front bar and sides, then secure the set screws on the 4-way joints with an Allen wrench.



8. If you are using a VSPLBRKT wall bracket, using a level, mark a horizontal line at the height of the top of the frame of the leg support assembly and attach the bracket to the wood bracing at the line previously marked.
9. Stick two buffer pads on the tops of the console leg assembly. Apply silicone adhesive to the tops of the buffer pads as well as to the top of the wall bracket. As well as to the back of the console top, place the top (sink) on top on the console leg assembly, wipe off any excess adhesive and let the adhesive cure as per the manufacturer's recommendation.

# FAUCETURE

## Console Sink Installation Instructions

### Granite/Marble Care & Maintenance

Your new granite/marble vessel top has been factory sealed and polished to a smooth glass finish. In order to maintain the surface and keep it looking fresh and natural, we recommend the following procedures:

1. All stone products require a resealing at least once a year. Since your top has already been sealed at the factory. You will need to schedule your top for resealing accordingly.
2. Before applying the sealer, the exposed areas should be completely clean and dry.
3. For routine maintenance and cleaning, we recommend Stone Care's "Clean Encounters." The cleaner should be used weekly and more frequently with heavier than usual use or for cleaning of chemicals, such as those commonly found in the bathroom. Be sure to follow the instructions on the container.
4. To keep your granite/marble vessel top hygienically clean, we recommend Stone Care's "Counterriffic" on a weekly basis. This spray disinfectant will kill all types of bacteria and is FDA and EPA approved for food handling surfaces.
5. Liquid spills, such as alcohol, medications, etc should be cleaned up promptly. Some liquids with high-acid content can etch granite/marble surfaces if left for any length of time. Popular products that should be promptly cleaned up are: shaving cream, toothpaste, perfume, cologne, nail polish remover, hair coloring and perm products, shampoo, drain opener, and toilet bowl cleaner.
6. Place protective pads on the bottoms of any heavy objects, such as pottery, appliances, or other objects that may scratch the granite/marble surface.
7. Avoid abrasive cleaners or rough cleaning pads. If necessary, a soft buffing pad can be used.
8. Use coasters under drinking glasses to prevent glass rings on the surface.
9. Do not stand on the granite/marble top to fix overhead lights or other items.

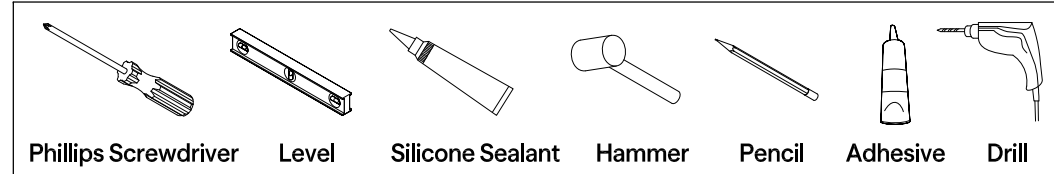
### Note

1. 2" x 6" lumber or larger wood bracing needs to be added to the wood wall structure for the bracket supporting.
2. If the basin is going to be installed on console base which has 4 legs standing on floor, the bracket could be optional.

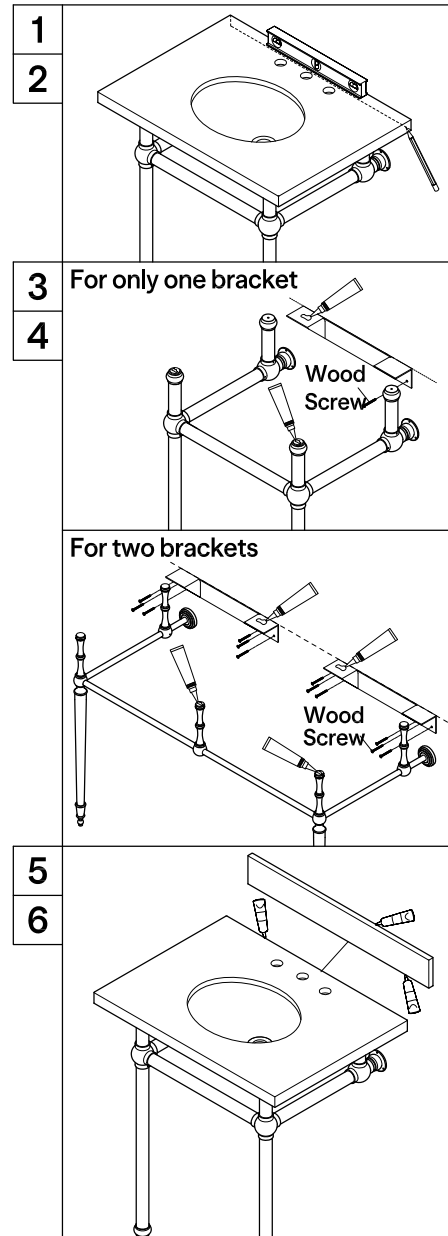
### Before Installation

Professional installation by 2 or more persons is recommended for this fixture. Install water supplies and drain pipes according to local plumbing and building code. Ensure that wall and floor are leveled and plumb at the installation site. This console top is designed to be secured to wood bracing, if proper wood bracing is not available, consult a qualified professional as to the best anchors to use.

### Need Tools:



### Installation Step :



1. With the help of a second person gently place basin on top of pedestal and level.
2. Mark the location of the holes on the support bracket.  
Make sure the bracket is located properly under the sink, so it will not interfere with the installation of the faucet.
3. Remove basin, pre-drill pilot holes at the marked location, secure the bracket using the wood screws included.
4. Apply silicone sealant on the top surface of bracket and the tops of the vertical legs.
5. Place your granite/marble top on the vertical legs and the top of bracket, make sure its back edge is completely against wall. Apply silicone sealer along the back edge of granite/marble top.
6. If you plan to use the provided backsplash, apply a construction adhesive to the bottom and back of the backsplash and push firmly against the wall. Make sure that the wall is clean, dry, smooth, and free of any loose paint or wallpaper before installing backsplashes.

### CAUTION!!!!:

Please make sure the faucet you have selected will not interfere with the backsplash. In some installations, the base of your faucet might be too large in diameter to allow for back splash installation.