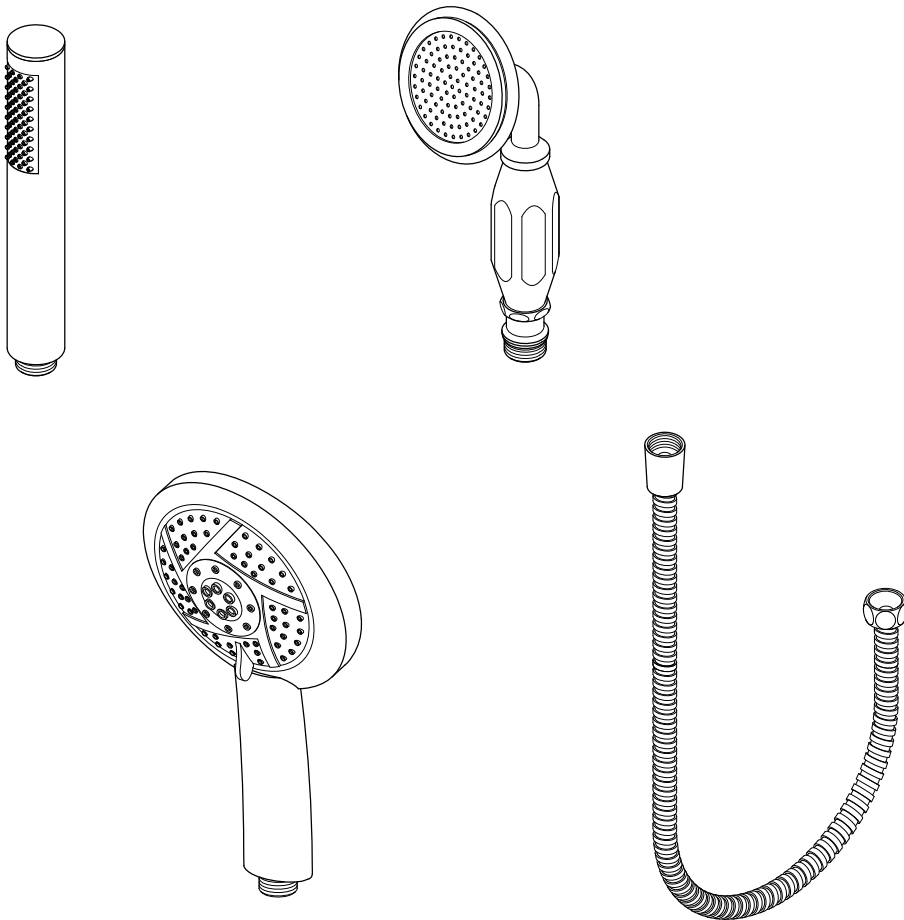


KINGSTON

KITCHEN & BATH

INSTALLATION INSTRUCTIONS Hand Shower & Shower Hose



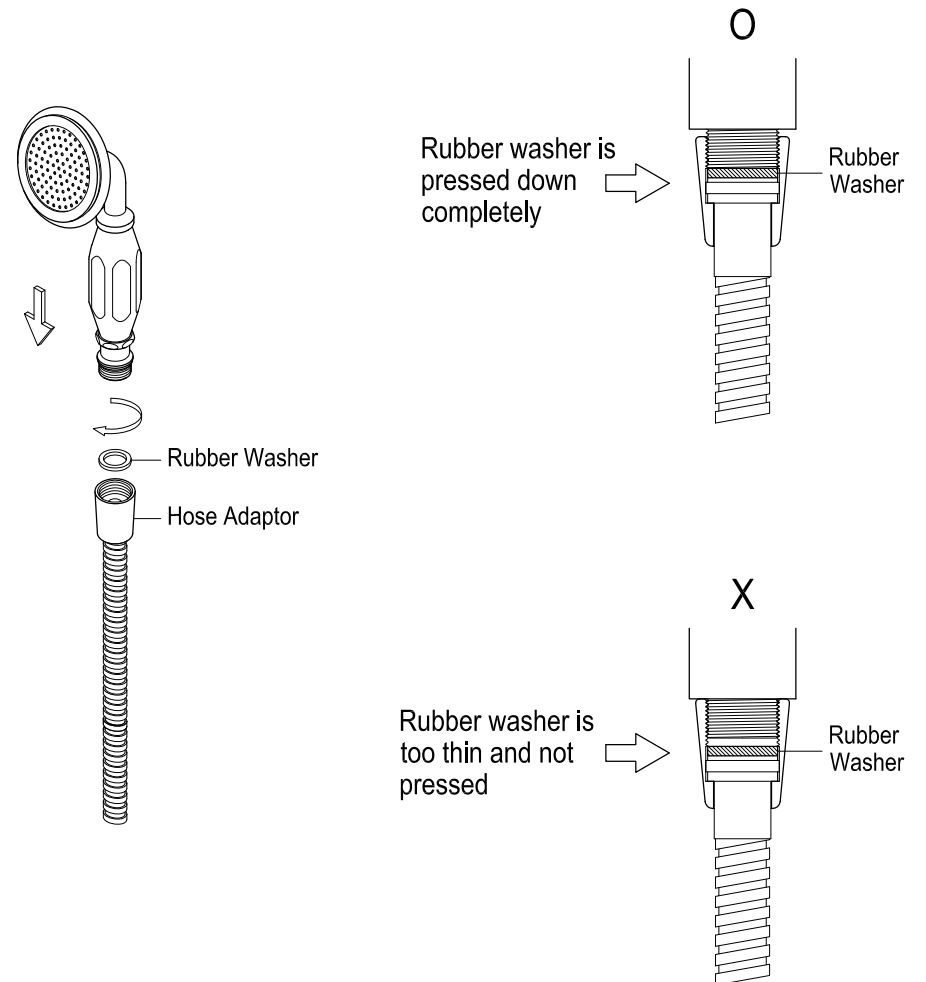
NOTICE

Failure to follow all directions may cause leaks
which may result in water damage

www.kingstonbrass.com
TOLL-FREE CUSTOMER SERVICE: 1-877-2-KBRASS
TECHNICAL SUPPORT E-mail: service@kingstonbrass.com
12775 Reservoir Street, Chino, CA 91710

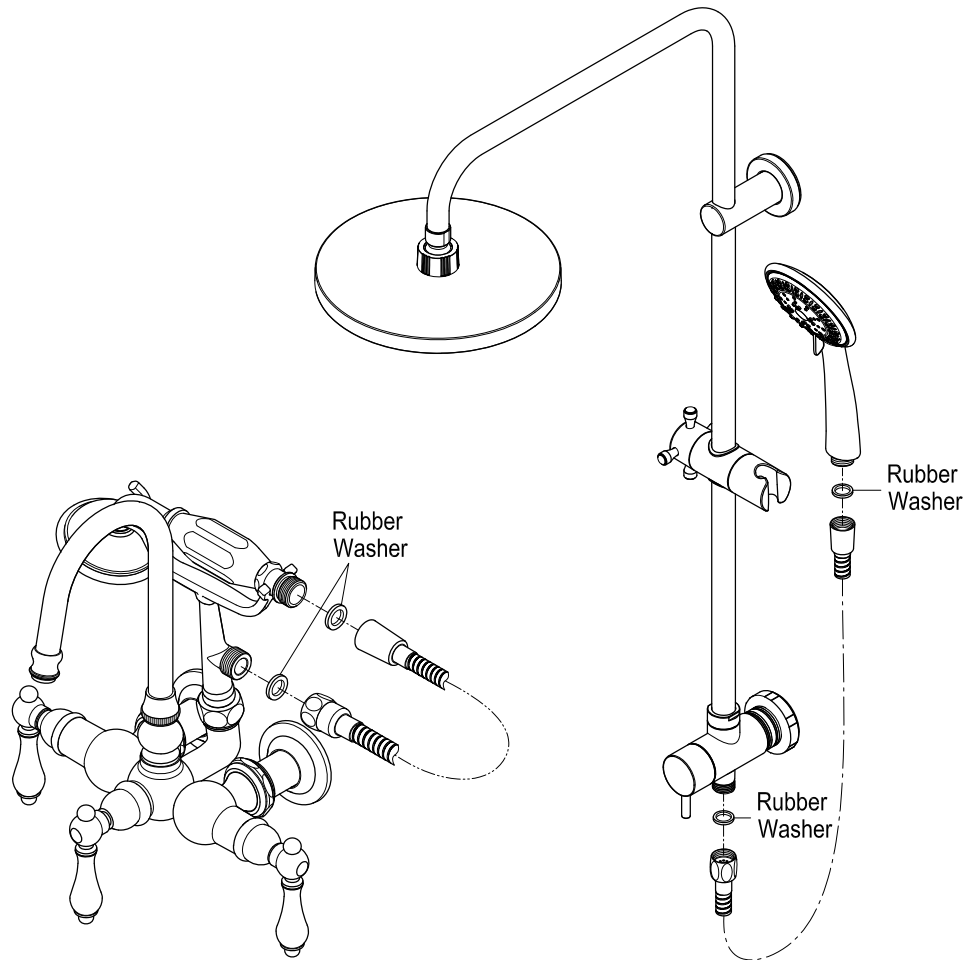
Installation Steps for Hand Shower:

1. Remove the old hand shower from the hose by turning it counter-clockwise.
2. Check the original washer on the hose adapter for any damage; replace if necessary.
3. Clean the washer and remove any debris from inside the hose adapter.
4. Reinsert the washer into the hose adapter, ensuring it sits flat against the bottom.
5. Hand-tighten the new hand shower onto the hose adapter by turning it clockwise. Ensure it's secure but do not over-tighten.
6. Turn on the water to check for leaks around the hose adapter. If leaks are found, loosen and retighten the hand shower or replace it with a thicker sealing washer.



Installation Steps for Shower Hose:

1. Remove the Old Hose, Turn the hose adapter counterclockwise to detach it from the outlet.
2. Insert the enclosed rubber washers into each end of the new shower hose, ensuring they are seated fully inside the adapters.
3. Hand-tighten the end of the hose with the faceted adapter into the outlet. Turn on the water for at least 30 seconds to flush out any debris from the line. Check for leaks at the connection.
4. Hand-tighten the other end of the hose to the hand shower. Turn on the water to check for any leaks, re-tighten if necessary.



KINGSTON

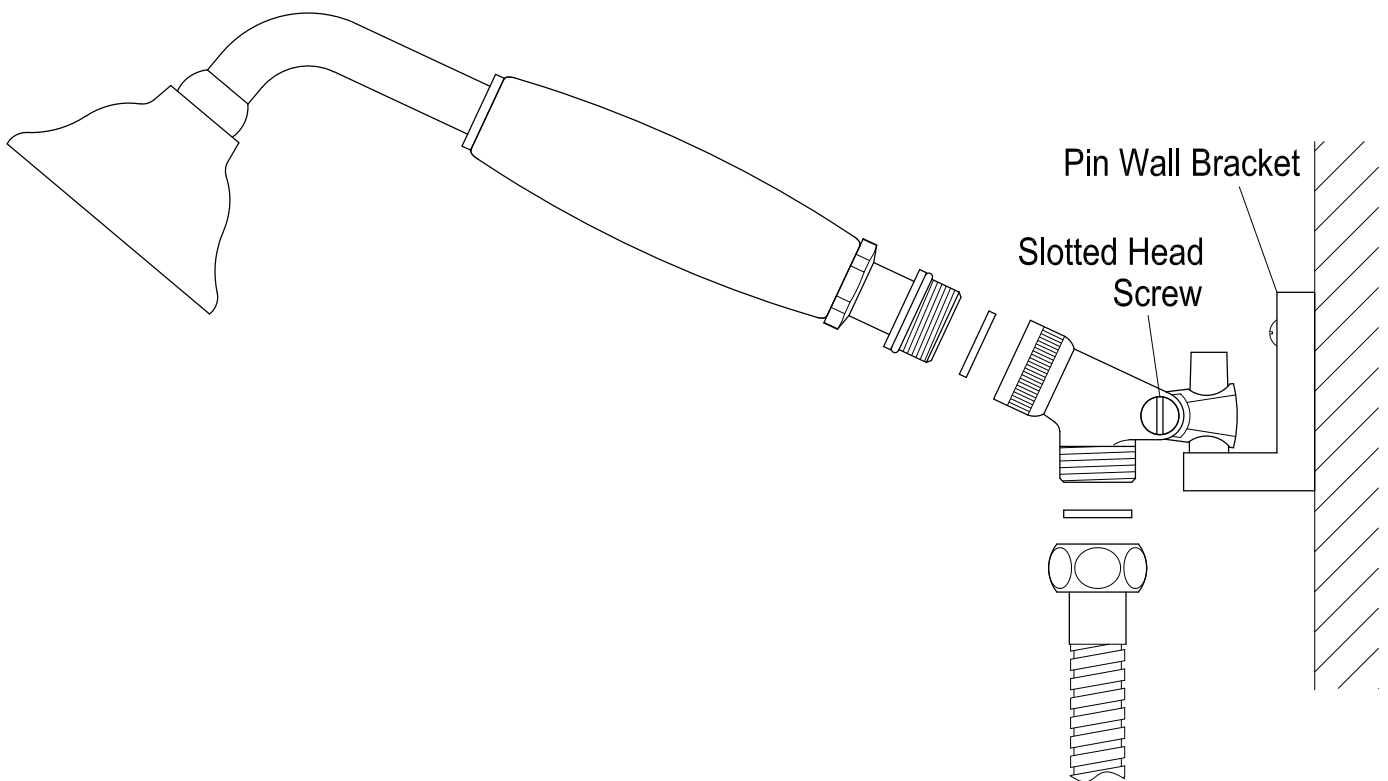
KITCHEN & BATH

INSTALLATION INSTRUCTIONS

Pin Mount Swivel Connector for Hand Shower

Installation Steps:

- Step 1. Thread the hand shower onto the IPS female thread hole, make sure there is a rubber washer inside the hole.
- Step 2. Thread the shower hose onto the IPS male thread, make sure there is a rubber washer inside the hose adapter.
- Step 3. Hang it on a pin wall bracket.
Loosen and tighten up the slotted head screw to adjust the angle of hand shower as desired.



NOTICE

Failure to follow all directions may cause leaks
which may result in water damage

www.kingstonbrass.com

TOLL-FREE CUSTOMER SERVICE: 1-877-2-KBRASS

TECHNICAL SUPPORT E-mail: service@kingstonbrass.com

12775 Reservoir Street, Chino, CA 91710

© 2024-01-D Kingston Brass

KINGSTON

KITCHEN & BATH

INSTALLATION INSTRUCTIONS

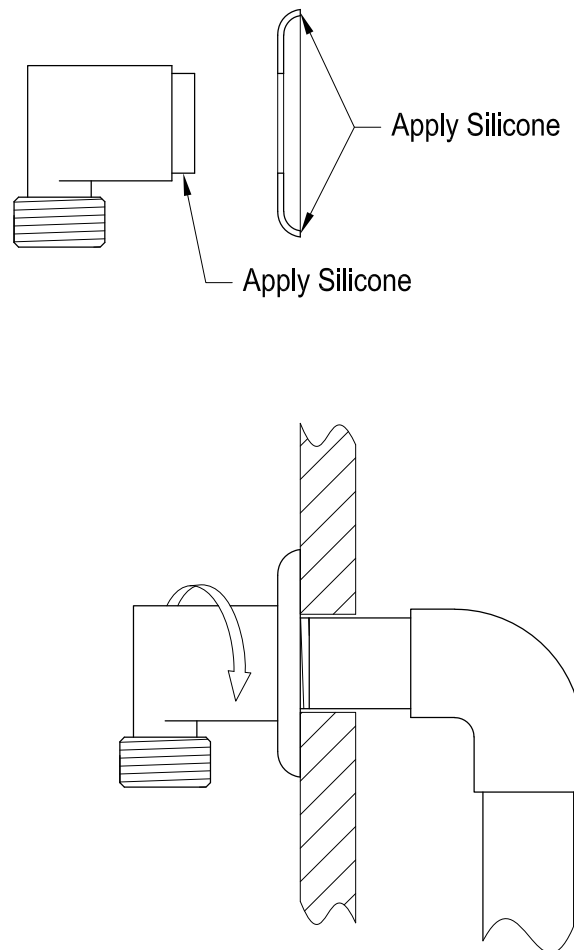
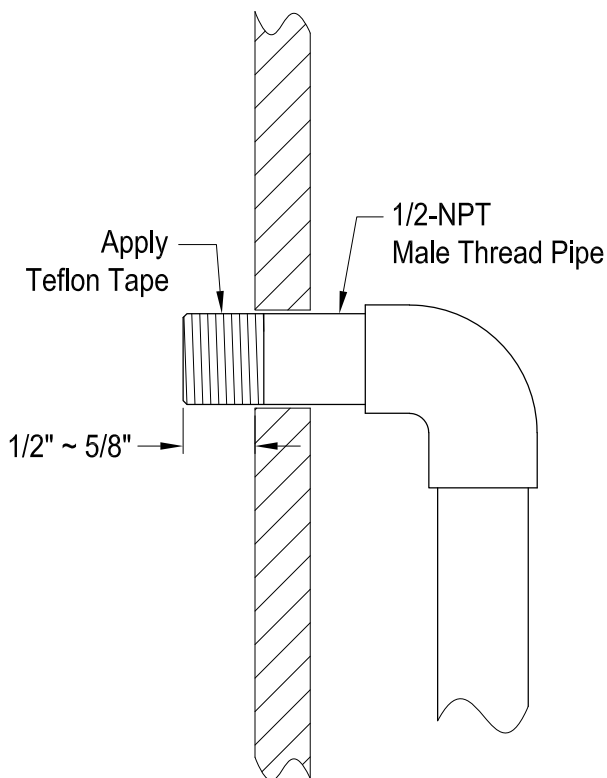
Shower Supply Elbow

Instructions:

1. At the desired location, drill a hole $\text{Ø}7/8"$ on the wall.
2. Install 1/2-NPT male thread pipe protruding from the wall 1/2" to 5/8".
3. Apply Teflon tape onto the threads.
4. Apply silicone around the neck of shower supply elbow and the back of flange.
5. Insert flange and thread the shower supply elbow onto the 1/2-NPT male thread pipe.

Do Not Over Tighten The Thread Connection.

6. Wipe off excess silicone around the flange.



www.kingstonbrass.com
TOLL-FREE CUSTOMER SERVICE: 1-877-2-KBRASS
TECHNICAL SUPPORT E-mail: service@kingstonbrass.com
12775 Reservoir Street, Chino, CA 91710

NOTICE

Failure to follow all directions may cause leaks which may result in water damage

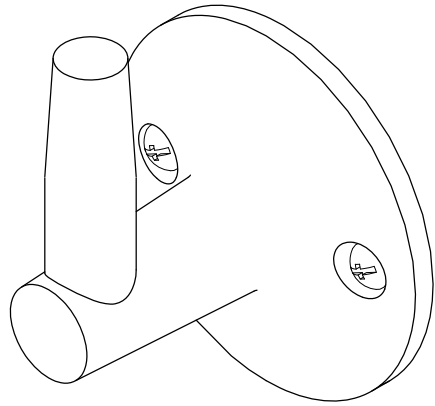
CAUTION

Failure to follow all installation directions may cause product to detach from the wall and cause serious injury

KINGSTON

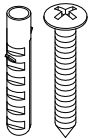
KITCHEN & BATH

Wall Bracket Installation



Parts:

Mounting Screw
&
Anchor



2 Pcs

⚠ CAUTION

Failure to follow all installation directions may cause product to detach from the wall and cause serious injury

www.kingstonbrass.com
TOLL-FREE CUSTOMER SERVICE: 1-877-2-KBRASS
TECHNICAL SUPPORT E-mail: service@kingstonbrass.com
12775 Reservoir Street, Chino, CA 91710

TOOLS REQUIRED



Flathead Screwdriver



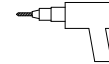
Phillips Screwdriver



Marking Pencil



Hammer



Power Drill

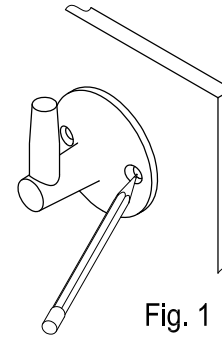


Fig. 1

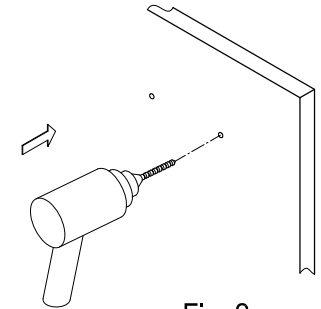


Fig. 2

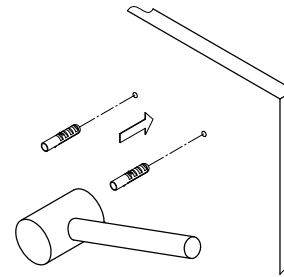


Fig. 3

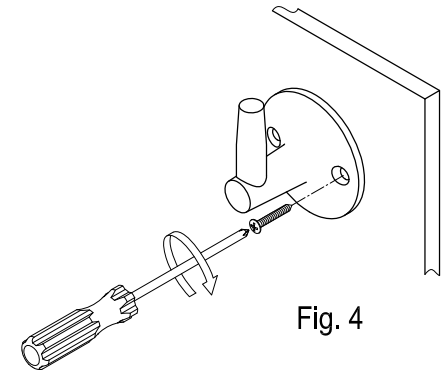


Fig. 4

Installation Steps:

Step 1. Locate where you would like to install the wall bracket.

Place a base onto the wall and mark the location of the mounting screws (fig 1).

Step 2. Drill holes at the marked locations (fig 2).

Step 3. Insert anchors into the holes with a hammer until flush with the wall (fig 3).

Step 4. Screw the wall bracket to wall with mounting screw (fig 4).

Cleaning

Clean with a damp cloth only.
Avoid using metal or abrasive polishes.