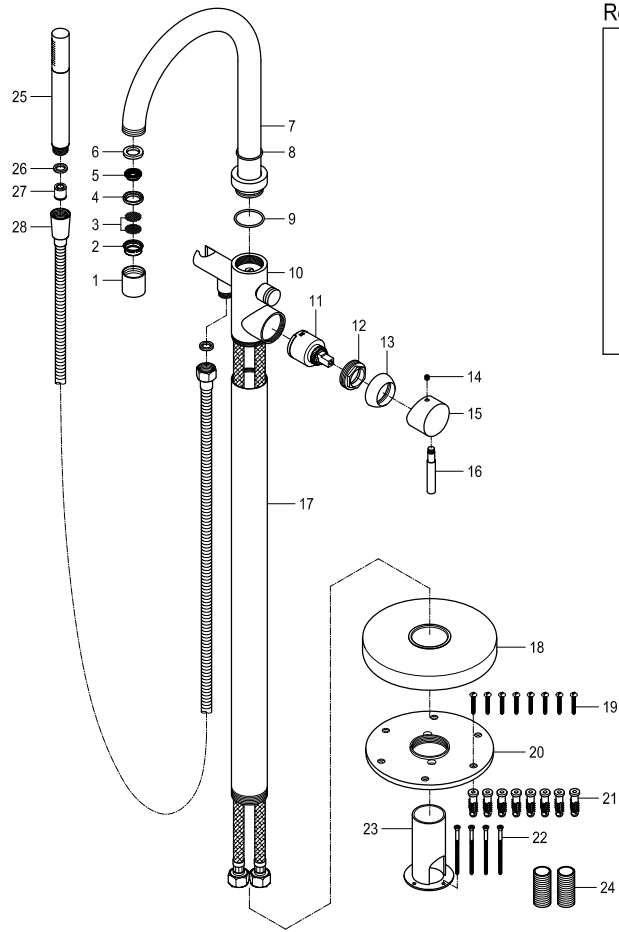
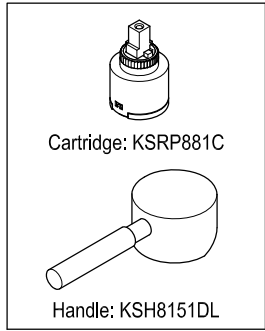


**Parts:**

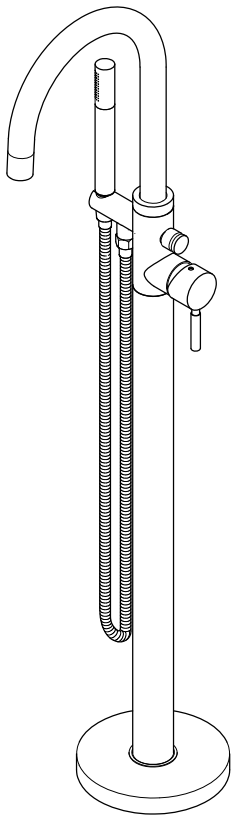


**Replacement Parts:**



# KINGSTON

KITCHEN & BATH



## CARE AND MAINTENANCE OF YOUR FAUCET

Your Kingston Brass faucet has been finished to the most strict standards; however, due to the high content of minerals in the water, your finish may appear dull and tarnished after time. These are some do's and don'ts to maintain the luster on your faucet for many years to come.

**DO**

1. Use a silicon based caulking when installing.
2. Clean your faucet with only a mild soap and water solution.
3. Dry your faucet after using it.
4. Give it a coat of Carnauba Wax periodically.

**DON'T**

1. Use plumbers putty when installing the faucet.
2. Use any abrasive cleaning agents.

It may seem like a very simple and short list but it is that simple to maintain your faucet, looking shiny and new.

If your faucet is already looking somewhat dull and tarnished, before replacing it, try cleaning it with a 50/50 solution of vinegar and water, you may need to soak some rags and wrap around those stubborn areas, leave overnight and rinse completely in the morning, apply Carnauba wax once you have removed the mineral deposits.

**Parts:**

Screw & Anchor	Screw	Sleeve	Adaptor
8 Pcs	4Pcs	1 Pc	2 Pcs

## NOTICE

Failure to follow all directions may cause leaks which may result in water damage

www.kingstonbrass.com  
 TOLL-FREE CUSTOMER SERVICE: 1-877-2-KBRASS  
 TECHNICAL SUPPORT E-mail: service@kingstonbrass.com  
 12775 Reservoir Street, Chino, CA 91710

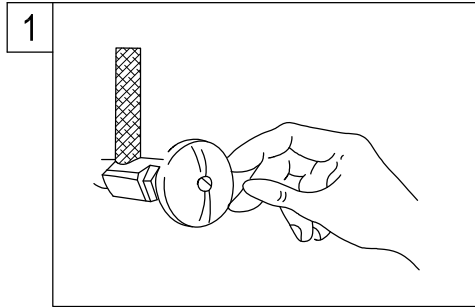
# KINGSTON

KITCHEN & BATH

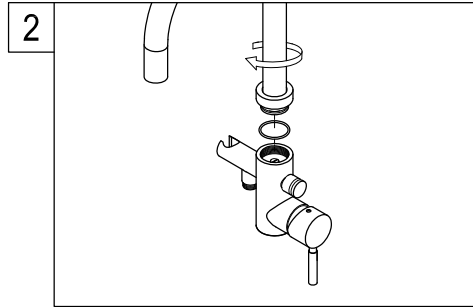
## INSTALLATION INSTRUCTIONS Floor Mount Roman Tub Filler with Hand Shower

### BEFORE BEGINNING INSTALLATION:

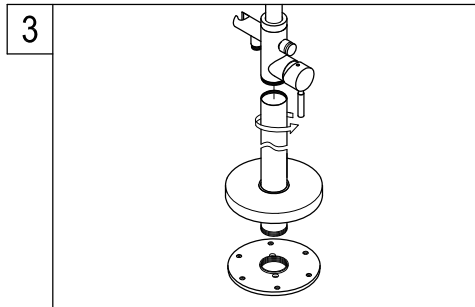
1. Flush plumbing lines to clear any debris.
2. Shut off both supply lines after flushing.



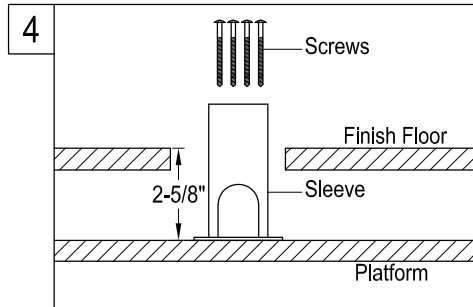
1. Shut off main water supply valve before installation.



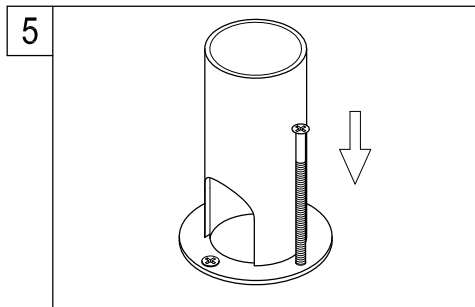
2. Install spout into faucet body tightly with clockwise direction.



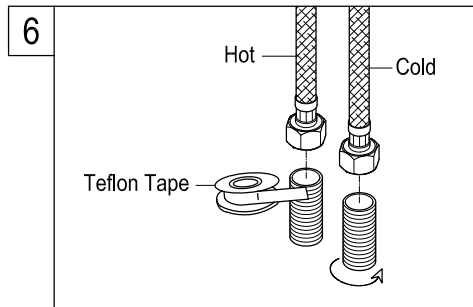
3. Then Install tube into other end of the faucet body tightly and base with counter clockwise direction.



4. Prepare location by securing a platform 2-5/8" below the finish surface of the floor, (Special care should be taken when calculating the depth of the platform).



5. Secure sleeve to platform using the 3 (included) screws, if attaching to concrete, anchors should be used to insure an adequate support.



6. Apply Teflon tape to supply line threads and attach to incoming hot and cold supply lines, open hot and cold water main and test connection for leaks.

### Need Tools:



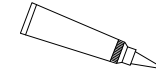
Basin Wrench



Adjustable Wrench



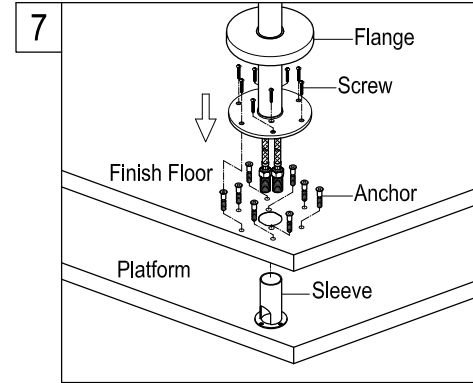
Teflon Tape



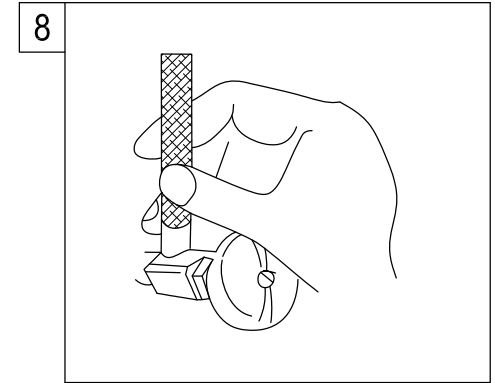
Silicone Sealant



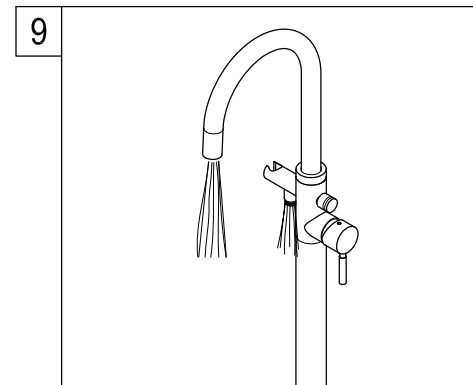
Screwdriver



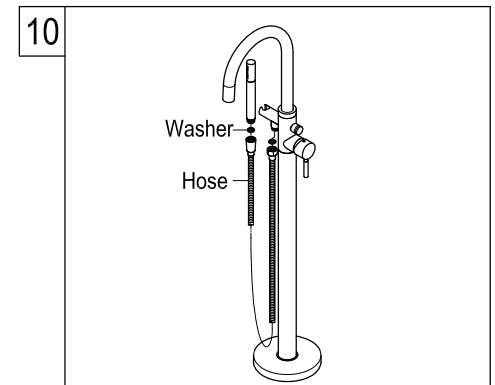
7. Insert sleeve into body of faucet, secure faucet assembly, make sure the faucet supply lines are protruding from sleeve.



8. Turn on water supply valves and check for leaks, especially all supply line connections.



9. Turn on hot and cold water supply and check for leaks.



10. Attach hose to hand shower outlet located under the spout. Once floor has been finished, secure faucet to floor by threading attached screws, cover screws with flange.

### Warning!!!

- Do not over-tighten nut during installation.
- Over-tighten may crack the valve and cause severe leak.

### Warning!!!

- Please do not lean on, step on or use this faucet as support to come in or out of the tub.
- This faucet should be located away from traffic areas; impact both by foot traffic or floor cleaning equipment, may damage the faucet and potentially cause a leak which, may result in water damage.