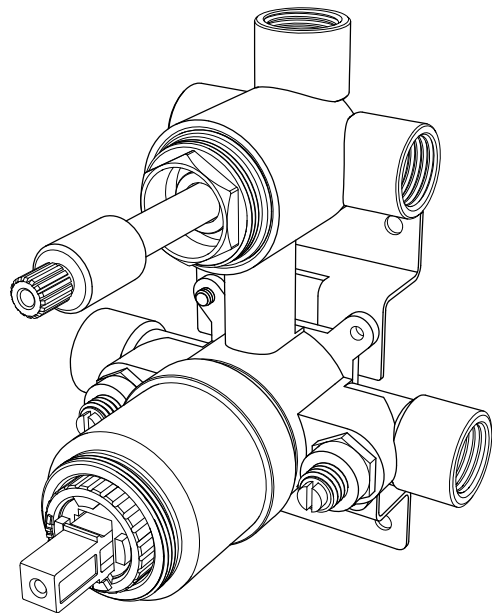




## PRESSURE BALANCING VALVE Installation Instructions



[www.kingstonbrass.com](http://www.kingstonbrass.com)

TOLL-FREE CUSTOMER SERVICE: 1-877-2-KBRASS  
TECHNICAL SUPPORT E-mail: [service@kingstonbrass.com](mailto:service@kingstonbrass.com)  
12775 Reservoir Street, Chino, CA 91710

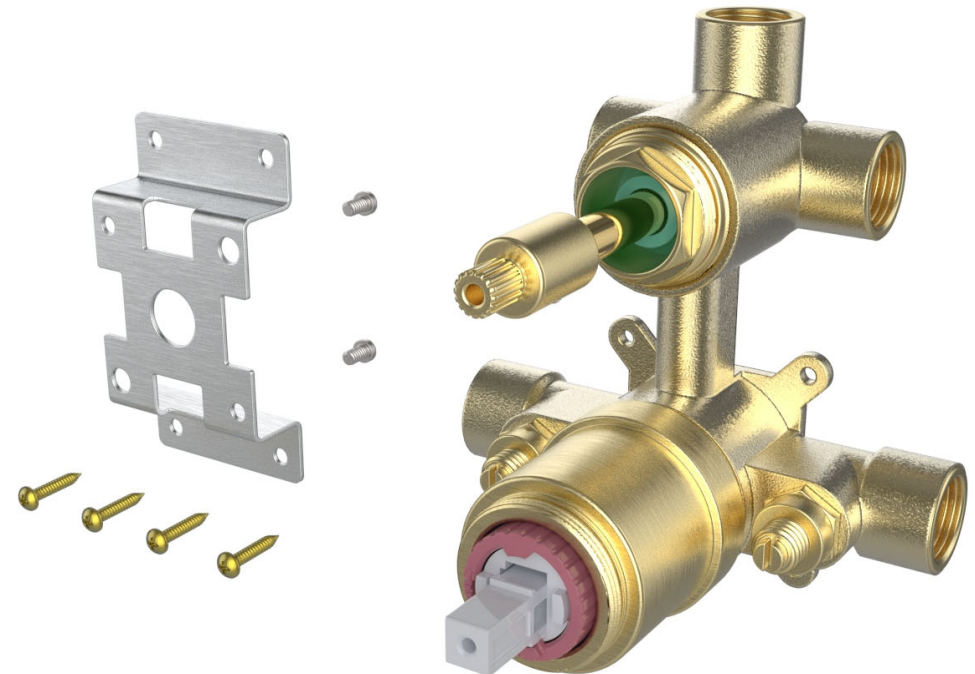
### NOTICE

Failure to follow all directions may cause leaks  
which may result in water damage

### CAUTION

Failure to follow all installation directions may  
cause product to detach from the wall and  
cause serious injury

## Pressure Balancing Valve and Mounting Bracket:



### Before Installation :

Flush all lines to avoid debris from getting into your shower valve as this may affect its proper functioning.

Failure to flush lines properly will void warranty

Apply Teflon tape or pipe thread sealer on all threaded connections

Do not over-tighten any of the threaded connections as this may create structural damage and cause leaking.

Do not use any power tools for assembly or installation of this shower valve as this may cause structural damage to the fixture.

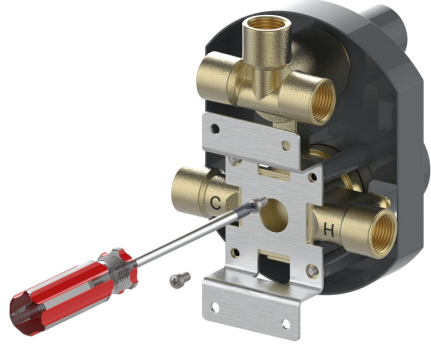
Shut off water supply to the shower valve

Tools required for installation of this product are :

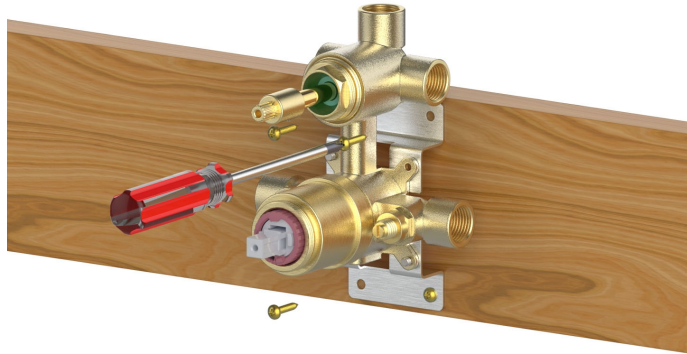
1. Screw Driver
2. Tubing Cutter
3. Teflon Tape
4. Adjustable Wrench
5. Channel-lock Pliers
6. Measuring Tape

## Installation Step:

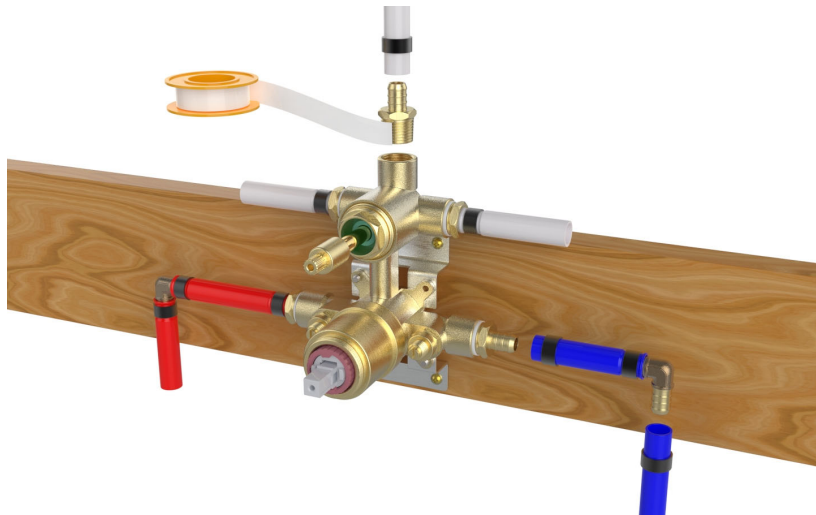
1. Flip the valve to the back side, then secure the mounting bracket onto the valve. Use a screwdriver to tighten the screws.



2. Remove the plastic plate, then secure the valve onto the mounting bracket using the provided wood screws. Finally, secure the bracket to the wall.

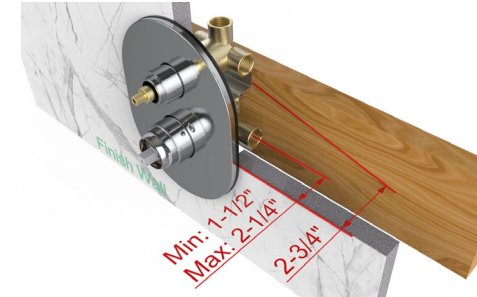


3. Apply Teflon tape or pipe thread sealer on all threaded connections.

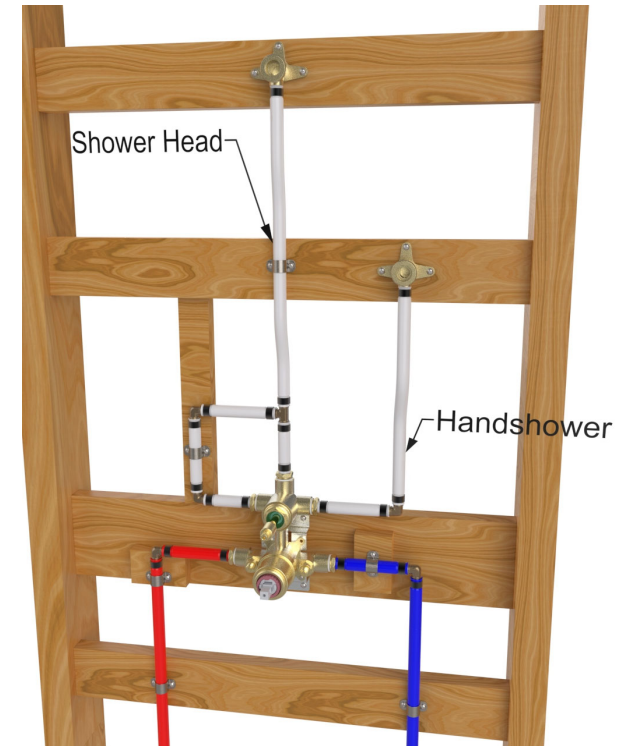


2.

4. Install your supply pipes so that the rough-in valve is placed at 1-1/2" to 2-1/4" from the centerline of the inlets to the surface of the finished wall, the plastic plate pre-installed on your valve may also be used as a guide.



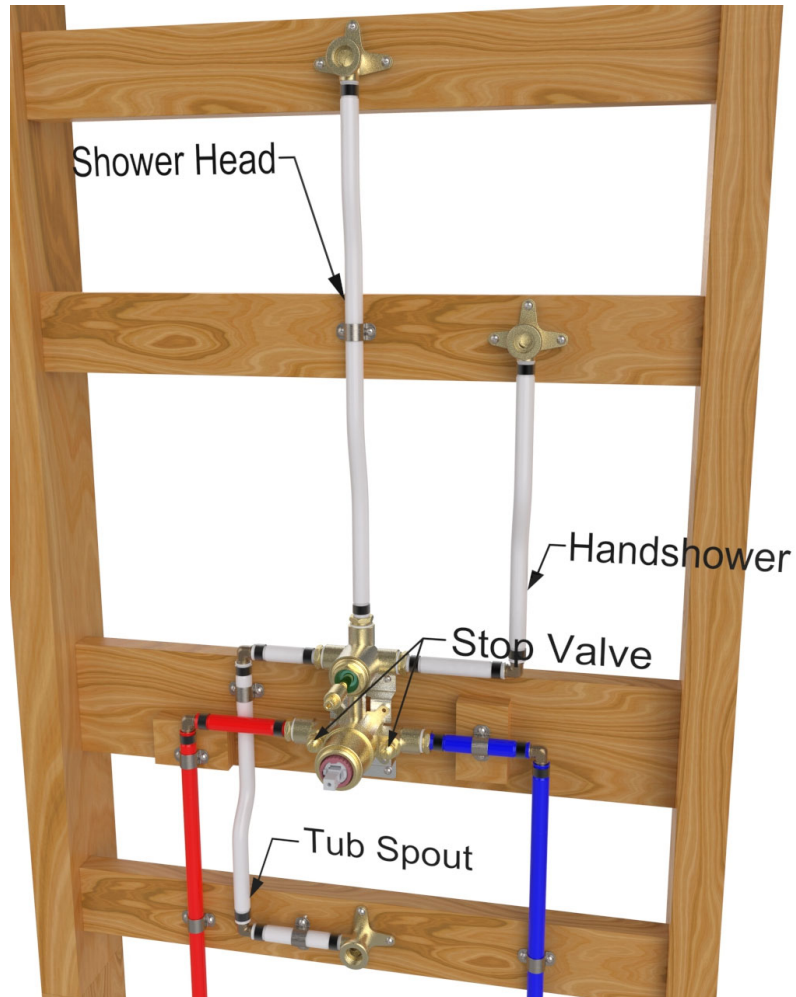
5. Attach the valve making sure to follow the "H" and "C" markings on the back of the valve, connect the hot and cold water lines to their respective inlets, do not overtighten as this may cause structural damage to the valve and create a potential leak.
6. This valve is designed as a way to direct water to one of three different functions, (e.g., showerhead, Hand shower, tub spout, etc.)
7. If you are going to plumb only 2 functions out of the 3 way diverter, it is recommended that the outlet that is not in use be plumbed into the line of one of the other functions.



3.

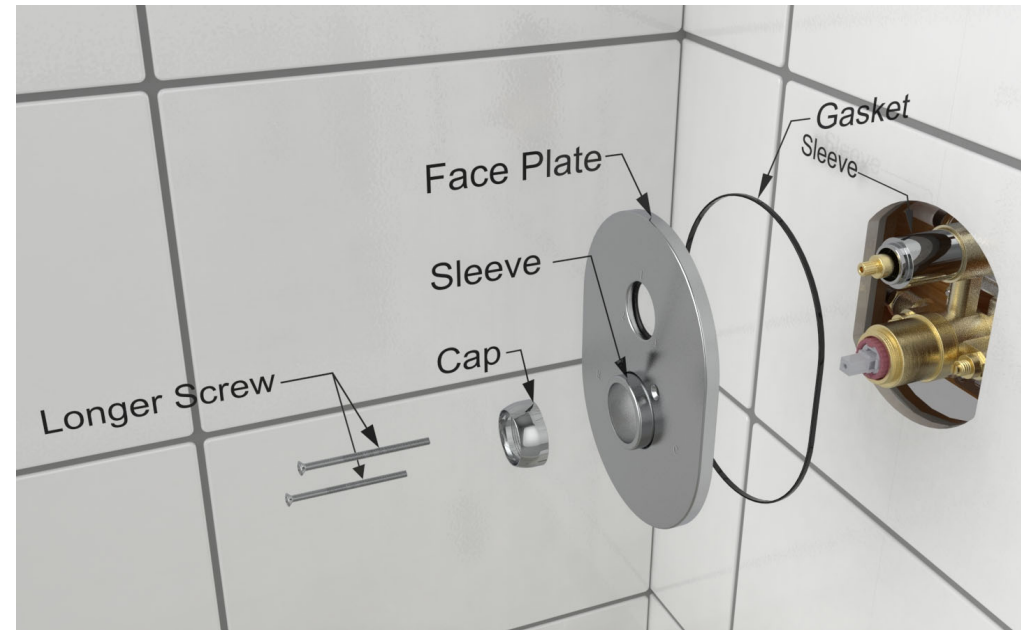
**8. Supply pipe and connector installation:**

- 8-1. Connect the outlet of the diverter valve to its designated fixture (Showerhead, Hand shower, Tub spout, etc.), if any outlet is not to be used, the outlet should be plugged into the line of the other outlets, plug the outlets at each outlet port.
- 8-2. Rough in the stub-outs for the tub spout and shower hose wall outlet by installing a male 1/2" NPT protruding 3/4" from the finished wall at both locations.
- 8-3. Rough in the stub-out at the desired placement of the shower arm by roughing in a 1/2" NPT female outlet to be flush with the finished wall.
- 8-4. Perform pressure testing by opening the water supply to the valve, fully open screwdriver stops, open shower mixer valve, one by one turn diverter handle to all three ports checking for leaks each time.

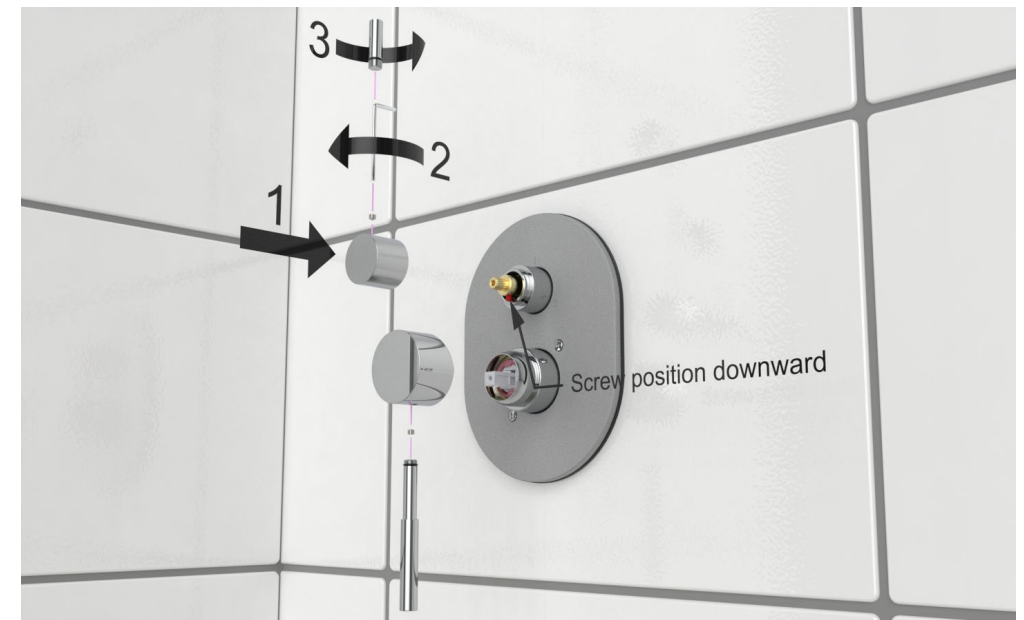


4.

9. Remove plaster guard and install the trim pieces by inserting the face plate on the valve and attaching handle.



10. Check the direction of the handle at all three points, adjust accordingly. Attach the handle by securing with the Allen wrench, and cover the screw by inserting the handle tip.

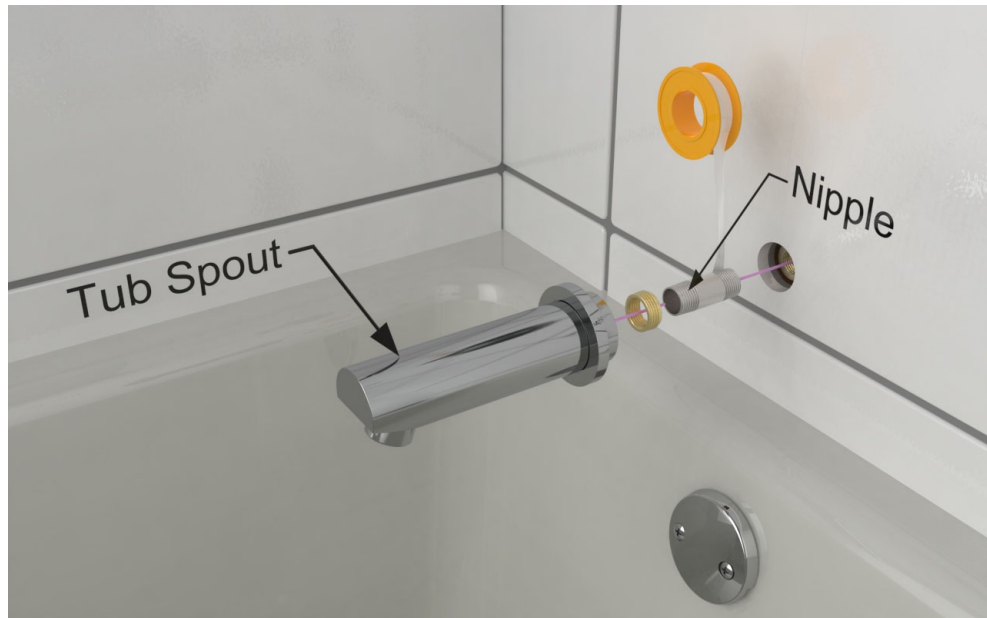


5.

**11. For the tub spout & shower head installation:**

11-1. Once the wall is finished, Apply Teflon tape to the tub spout stub out and wall outlet stub-out as well as both ends of the shower arm.

11-2. Apply a bead of silicone-based caulking to the back of the spout and thread onto the tub spout stub out, clean excess caulking.



11-3. Thread shower arm onto wall stub-out, add a bead of caulking to the back of the flange and push against the wall.



**12. For hand shower set installation:**

12-1. Install 1/2-NPT male thread pipe protruding from the wall 1/2" to 5/8". Apply Teflon tape onto the threads and apply silicone based caulking to the back of the flange and insert onto the stub-out, thread the shower supply elbow onto the 1/2-NPT male thread pipe.

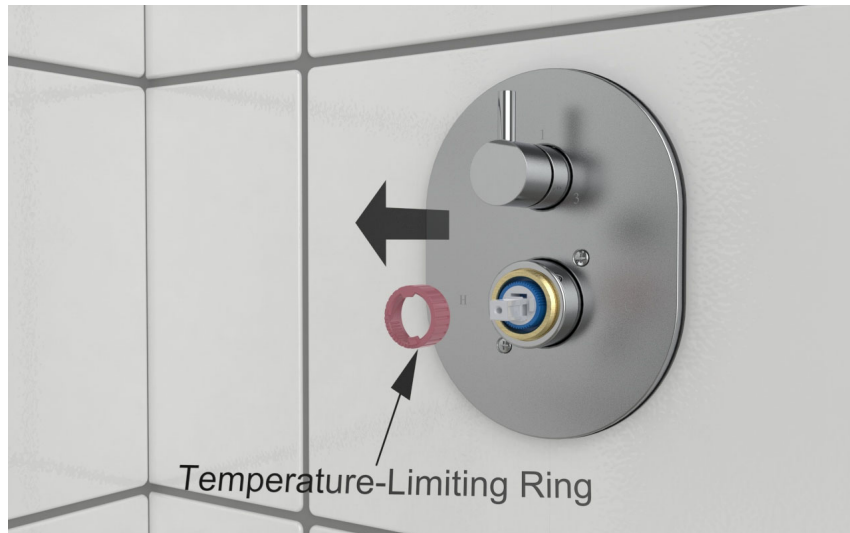


12-2. Insert the rubber washers into the two ends of the hose. Connect the hexagonal nut end to the swivel joint, connect the tapered end of the shower hose to the hand shower. Insert the handheld shower into the hand shower holder.



### Adjusting temperature limiting feature:

Your valve is designed with a temperature limiting feature, which allows you to limit the range of motion of the lever, thereby preventing accidental scalding by children or seniors.



### Procedure for Pressure Balance and Cartridge replacement and maintenance:

1. Remove handle and face plate.
2. Close the stop valves, located on either side of the valve.
3. Remove cap and bonnet nut using a crescent wrench.
4. Pull cartridge by hand.
5. Using needle nose pliers pull spool assembly.
6. The spool is a cylindrical piece located horizontally inside the spool assembly, this spool is designed to move freely.
7. Place the spool in the same position as if it was installed in the valve and shake in a horizontal motion, if the spool does not rattle, your spool might be stuck.
8. Soak it for at least 4 hours in a 50/50 solution of water and vinegar.
9. Take it out and rinse, perform the same test. If the spool is still not rattling, change the spool.
10. Reinstall the spool and valve assembly making sure to line up the 2 nubs in the back of the spool assembly with the indentations inside the valve body.
11. Replace cartridge and cap.
12. Fully open the stop valves, replace the faceplate and handle.

### Install Cartridge back into Transfer Valve:

1. Place the cartridge into the transfer valve body and watch the seal is on the right position.
2. Position the pins correctly as the figure shows and match the body position holes and fit in securely.
3. Reassemble the top cover to the transfer valve by turning it clockwise until hand tight.
4. Then turn additional 1/2 turn with a wrench.

Ensure that the handle is aligned with its designated outlet for proper functionality.

