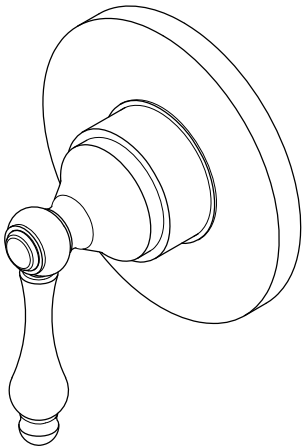
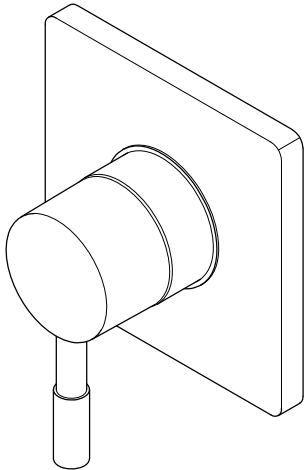
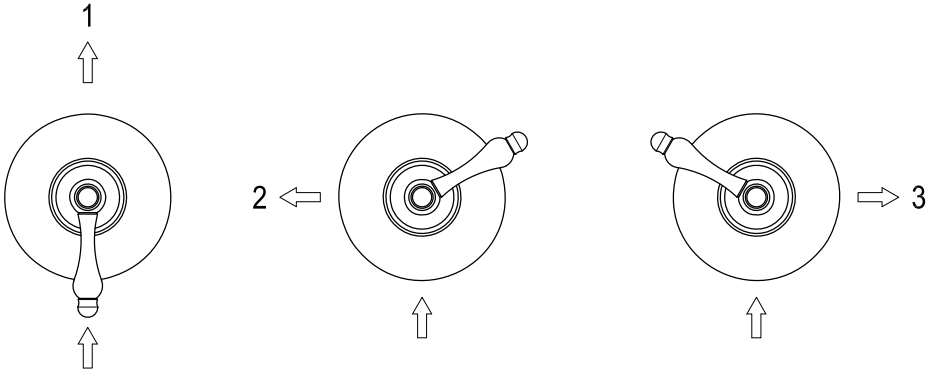


KINGSTON

KITCHEN & BATH

To divert the flow of water to any 1 of 3 different functions, point handle to that specific outlet, located at the 6, 2 and 10 o'clock positions.



NOTICE

Failure to follow all directions may cause leaks which may result in water damage

www.kingstonbrass.com
TOLL-FREE CUSTOMER SERVICE: 1-877-2-KBRASS
TECHNICAL SUPPORT E-mail: service@kingstonbrass.com
12775 Reservoir Street, Chino, CA 91710

KINGSTON

KITCHEN & BATH

INSTALLATION INSTRUCTIONS Three-Way Diverter Valve with Trim Kit

Before installation:

- Please flush all lines prior to installation of this valve
- This valve is designed as a way to direct water to one of three different functions, (e.g., showerhead, Hand shower, body sprays, tub spout, etc.)
- A mixer valve is required to be used in conjunction with this valve, the mixer valve can be a conventional shower valve, Pressure balanced valve or thermostatic)
- Your mixer valve can serve as a shut-off valve or volume control valve, or as an option you may add an independent volume control valve.
- If you are going to be using a tub spout as part of your shower layout, plug the bottom outlet of your mixer valve and plumb the tub spout to one of the outlets on the 3 way diverter.
- If you are going to plumb only 2 functions out of the 3 way diverter, it is recommended that the outlet that is not in use be plumbed into the line of one of the other functions. (see Fig. 2)

Fig. 1

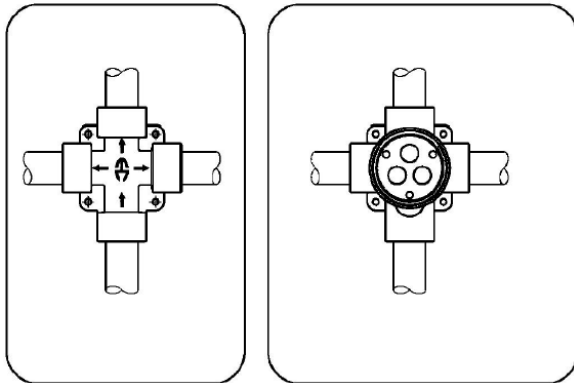
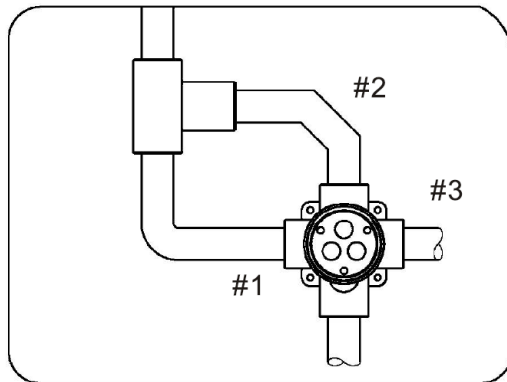


Fig. 2



Installation instructions:

1. Using the plastic plaster guard as a guide install the diverter valve so that the plaster guard will be flush with the finished wall or 1-3/4" from the centerline of the valve, locate the diverter valve at a convenient location above the mixer valve, make sure to identify the inlet by the arrow pointing towards the center of the diverter valve.
2. Connect the incoming line from the mixer valve to the inlet of the diverter, and plumb each outlet to its designated fixture.
3. Once the wall is finished, remove plaster guard and install the trim pieces by inserting the face plate on the valve and attaching handle.

Fig. 3

