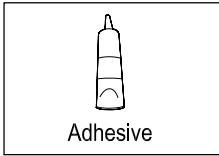


# FAUCETURE

## INSTALLATION INSTRUCTIONS

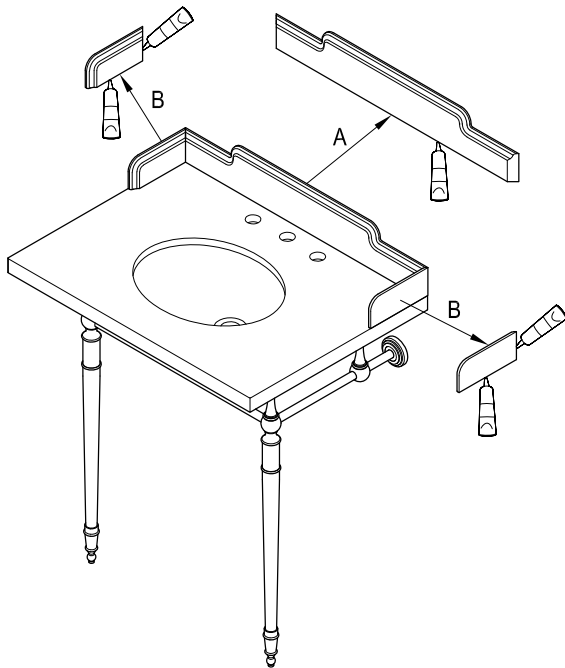
### Back and Side Splash Raised

#### Need Tools:



#### Installation:

1. Spread the adhesive on the bottom & back of the rear splash back (A), push the rear splash back into position. Make sure that the wall is clean, dry, smooth, and free of any loose paint or wallpaper before installing back or side splashes. See manufacturers instructions for drying time.
2. Repeat , if necessary with the side splashes (B).



[www.kingstonbrass.com](http://www.kingstonbrass.com)

TOLL-FREE CUSTOMER SERVICE: 1-877-2-KBRASS

TECHNICAL SUPPORT E-mail: [service@kingstonbrass.com](mailto:service@kingstonbrass.com)

12775 Reservoir Street, Chino, CA 91710