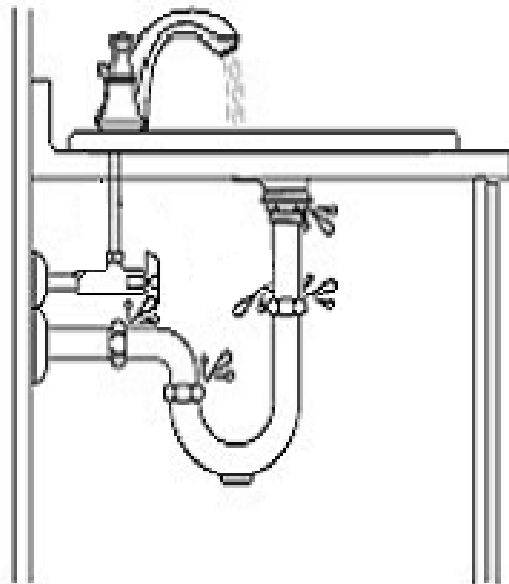
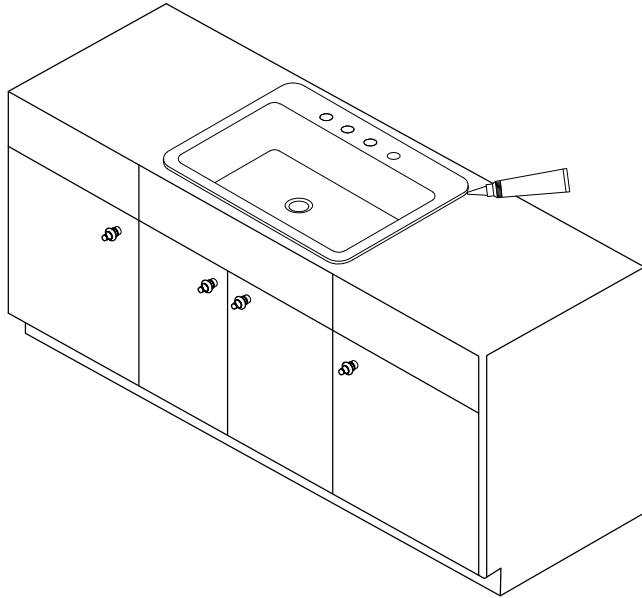


STEP 4

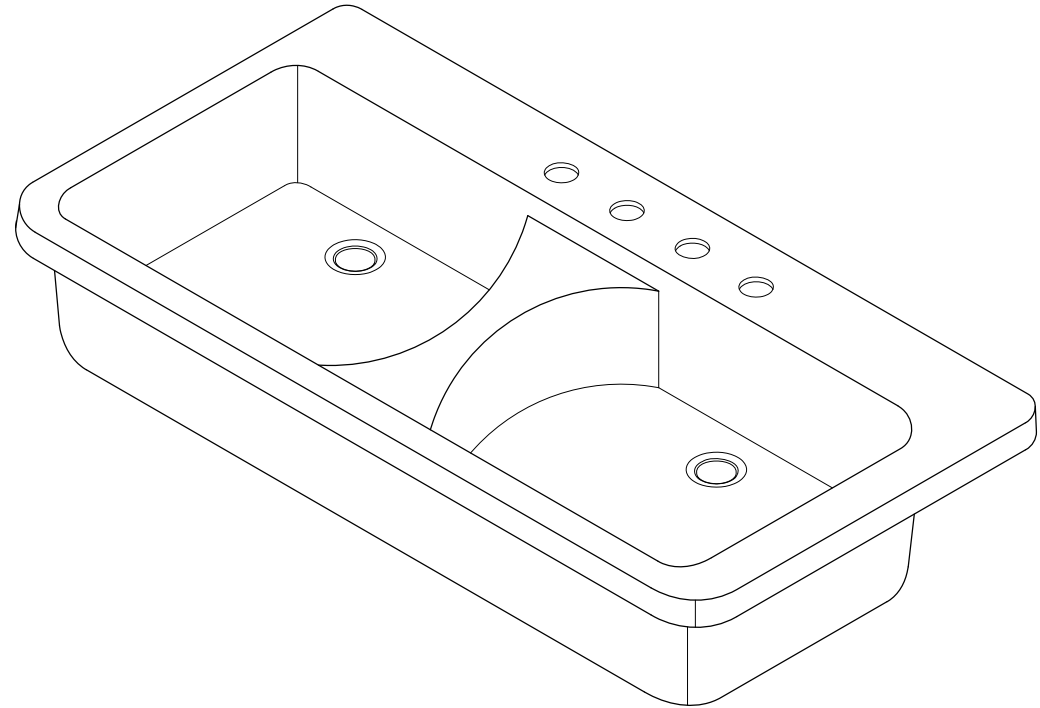
Insert sink into cut-out, check for a proper fit, adjust cut-out if necessary, remove sink.

Apply a thin bead of silicone and set sink at the desired location, complete the installation of the faucet and drain, check for leaks around the drain once the caulking has cured.



GOURMETIER™

KINGSTON CREATION



www.kingstonbrass.com
TOLL-FREE CUSTOMER SERVICE: 1-877-2-KBRASS
TECHNICAL SUPPORT E-mail: service@kingstonbrass.com
12775 Reservoir Street, Chino, CA 91710

NOTICE

Failure to follow all directions may cause leaks
which may result in water damage



WARNING

Lifting hazard.

Single person lift could
cause injury.
Use assistance when
moving or lifting.

GOURMETIER™

KINGSTON CREATION

INSTALLATION INSTRUCTIONS SELF-RIMMING KITCHEN SINK

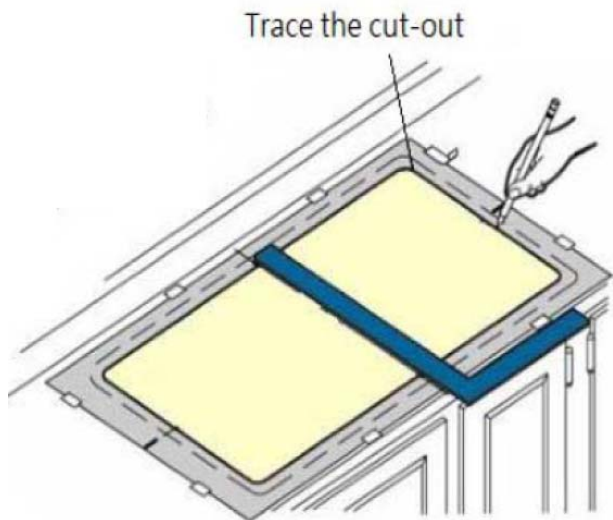
These instructions are for installing Kingston Brass Cast Iron Kitchen sinks.

Note:

- It is recommended that all countertops be cut and installed by an approved or certified professional.
- Thoroughly inspect the product and all materials for any damage prior to installation. Do not install a damaged or defective unit.
- Responsibility with observing all local plumbing and building codes lies with the consumer.
- Warranty will be voided if the product has not been installed and maintained in accordance with all written instructions accompanying the product.
- This sink was designed to be installed as a self-rimming sink.

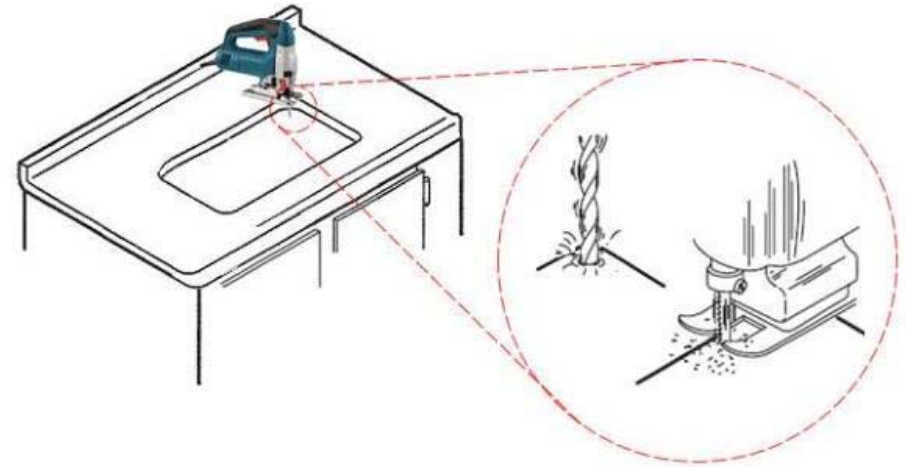
STEP 1

Attach the faucet and strainer to the sink before installing.
Place enclosed template at the desired location on the countertop,
mark the perimeter.



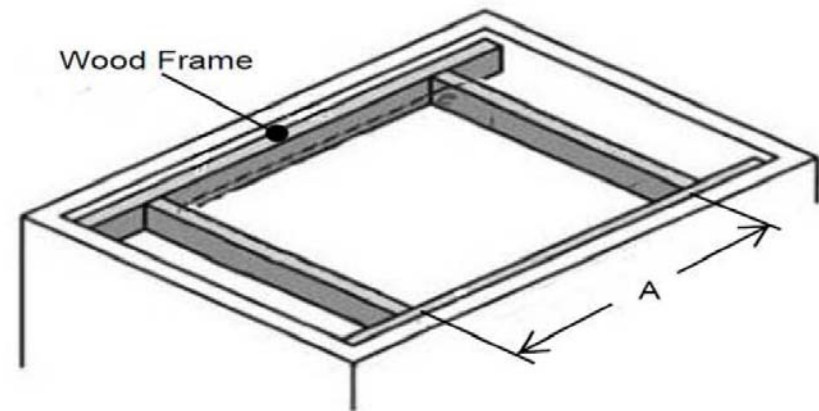
STEP 2

Drill pilot holes and cut-out the countertop.



STEP 3

Depending on the material used for the countertop it might be necessary to add a support structure made of 2" x 4" or larger lumber around the perimeter of the sink



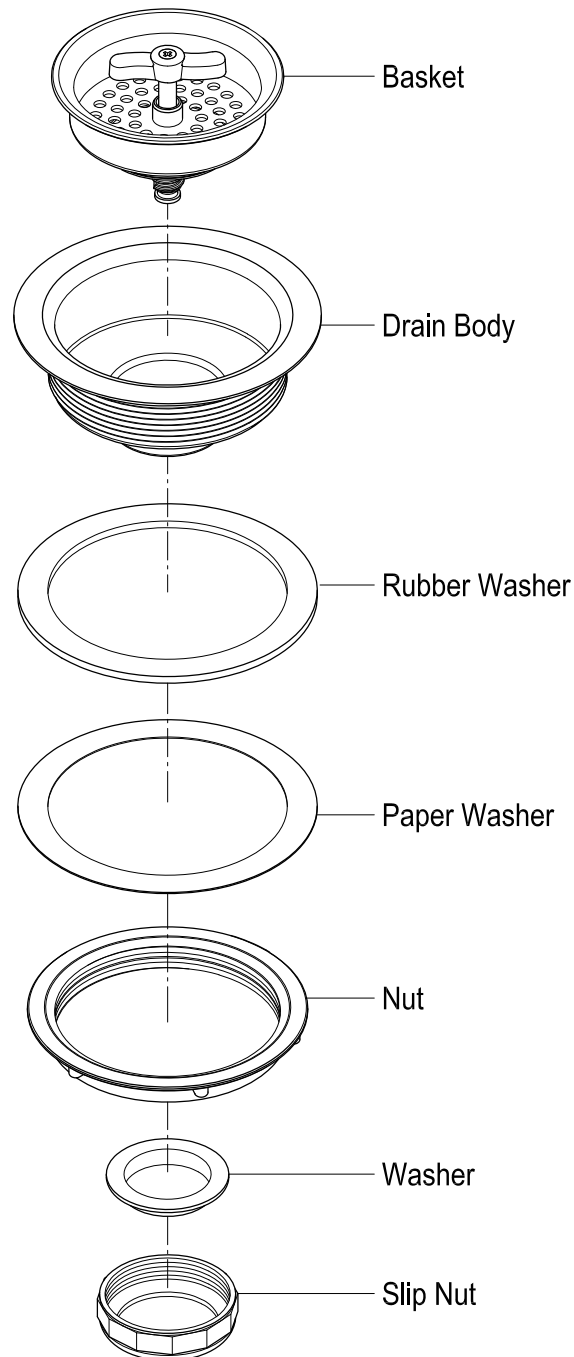
KINGSTON

KITCHEN & BATH

INSTALLATION INSTRUCTIONS

Basket Strainer

NOTE: USE TEFLON TAPE ON ALL THREADED CONNECTIONS



NOTICE

Failure to follow all directions may cause leaks
which may result in water damage

www.kingstonbrass.com
TOLL-FREE CUSTOMER SERVICE: 1-877-2-KBRASS
TECHNICAL SUPPORT E-mail: service@kingstonbrass.com
12775 Reservoir Street, Chino, CA 91710