

STEP 8

Apply caulking compound around the perimeter of the cutout opening. Place the sink into the cut out opening and be sure it is properly seated, make sure the sink rim covers caulking all round. Insert the clips into the U shape channels at the backside of the sink rim.

(Recommended clip placement, two clips on each rim, Figure 3)

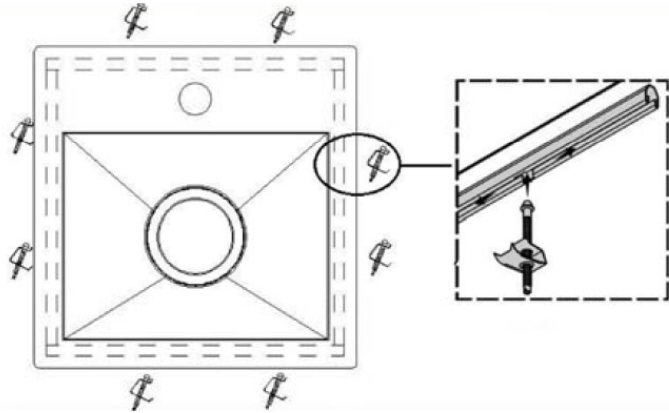


Figure 3

STEP 9

Rotate the clip, tighten to secure sink, do not over tighten as damage can result.

(Figure 4)

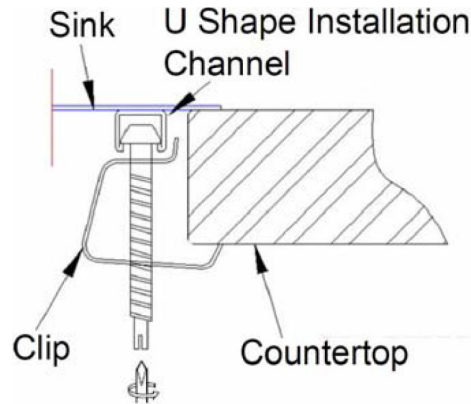
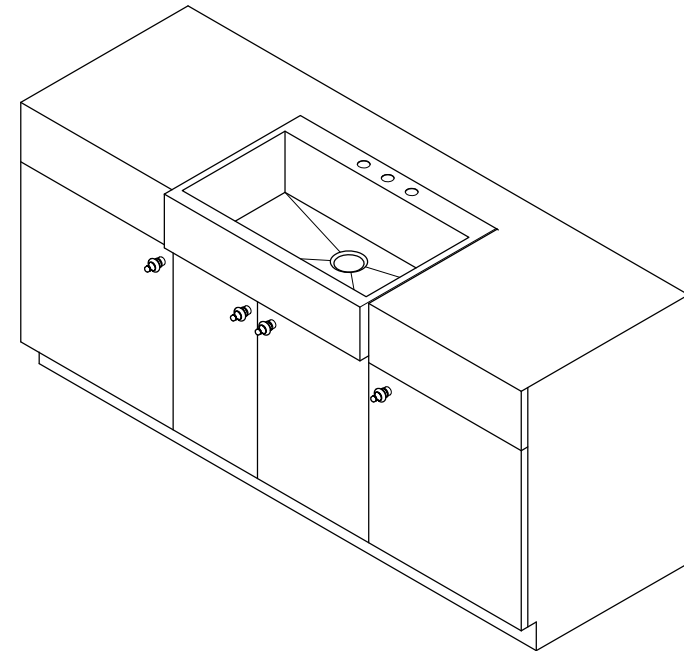


Figure 4

STEP 10

Install drain and water supply fittings as necessary. and Run water into the sink and check for leaks.



www.kingstonbrass.com
TOLL-FREE CUSTOMER SERVICE: 1-877-2-KBRASS
TECHNICAL SUPPORT E-mail: service@kingstonbrass.com
12775 Reservoir Street, Chino, CA 91710



KINGSTON BRASS INSTALLATION INSTRUCTIONS

Self-Rimming Sink

These instructions are for installing Kingston Brass self-rimming stainless steel sink and self-rimming Sinks are sinks that are installed from above the countertop and sealed to the top of the counter.

If you are Installing another type of sink, such as an undermount sink which sits below the countertop, please refer to instructions specifically for those sinks.

Templates are supplied only as a guide.

The physical use of the sink will ensure a more accurate cutout.

Note:

It is recommended that all countertops be cut by an approved or certified installer and that. The sinks be installed by the installer whenever possible. The countertop / sink unit ideally should be installed as one on the jobsite.

Before installing the sink, inspect it for damage. Do not install a damaged unit.

Remember, it is your responsibility to follow all local plumbing and building codes.

The warranty will be voided if these installation instructions are not followed.

STEP 1

Remove your new sink from the carton. Use caution as sink edges may cause minor cuts. Wear safety gloves for your protection.

STEP 2

If you are replacing old sink, remove old one and verify existing countertop opening will fit your new sink by setting it temporarily.

STEP 3

If you are installing a sink to a new counter top, please follow directions as shown.

STEP 4

Prepare the sink base cabinet. Topmount Apron sinks require a special sink base cabinet with a front cutout and a platform built in place to support the sink.

(Figure 1)

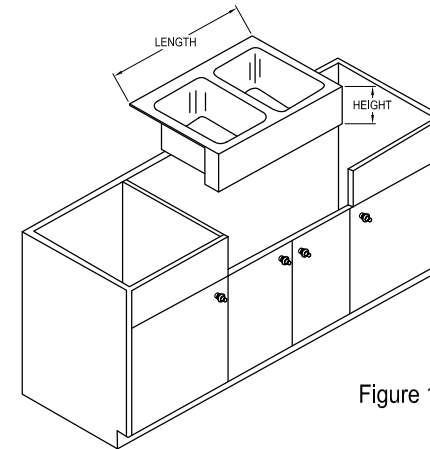


Figure 1

STEP 5

Fit the sink to the cabinet opening. The opening in the front face of the sink base cabinet can be modified to fit the job site. Be sure to have filler strips to site incase any adjustments need to be made in the depth of width of the sink base cabinet cutout.

STEP 6

Drill the tap holes on the countertop, according to the sink tap holes sizes and position. (Figure 2)

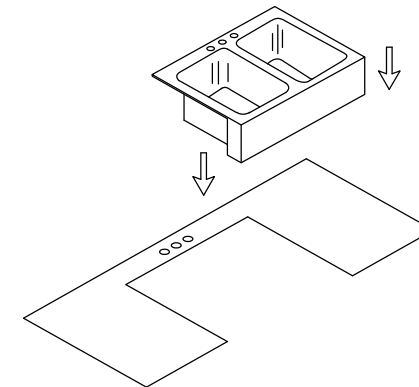


Figure 2

STEP 7

Attach faucet and strainer s as necessary according to the manufacturer's instructions.

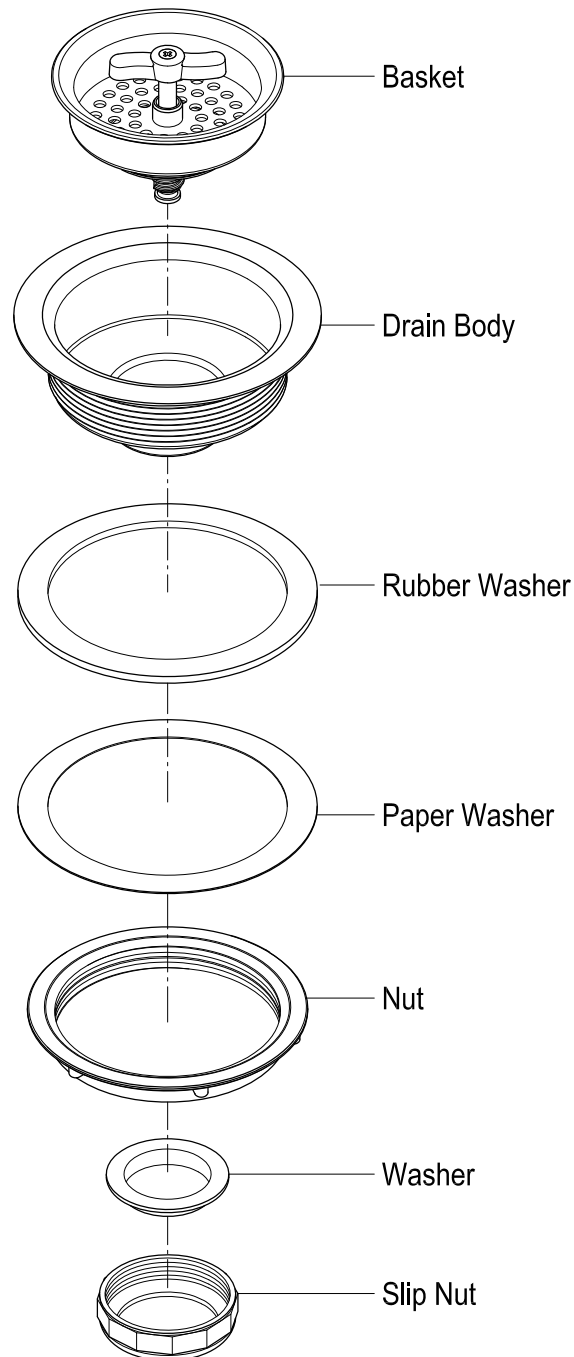
KINGSTON

KITCHEN & BATH

INSTALLATION INSTRUCTIONS

Basket Strainer

NOTE: USE TEFLON TAPE ON ALL THREADED CONNECTIONS



NOTICE

Failure to follow all directions may cause leaks
which may result in water damage

www.kingstonbrass.com
TOLL-FREE CUSTOMER SERVICE: 1-877-2-KBRASS
TECHNICAL SUPPORT E-mail: service@kingstonbrass.com
12775 Reservoir Street, Chino, CA 91710