

KINGSTON

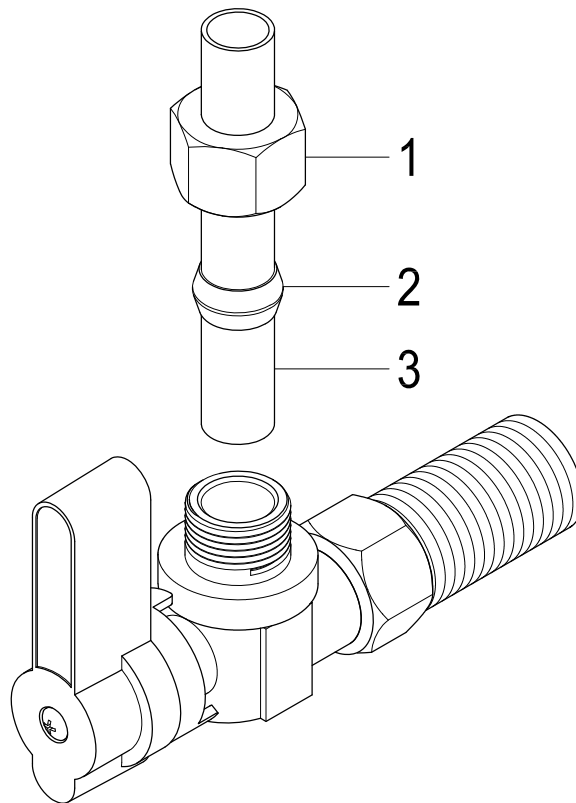
KITCHEN & BATH

INSTALLATION INSTRUCTIONS

Angle Stop

Instructions:

1. Apply Teflon tape to inlet and outlet, thread valve to a 1/2" FIP stub-out.
2. Place nut (1) and ring (2) on tube (3).
3. Insert tube (3) into valve.
4. Wrench tighten nut (1) onto valve.
5. Stop any leaks by tightening nuts slightly.



NOTICE

Failure to follow all directions may cause leaks
which may result in water damage

www.kingstonbrass.com
TOLL-FREE CUSTOMER SERVICE: 1-877-2-KBRASS
TECHNICAL SUPPORT E-mail: service@kingstonbrass.com
12775 Reservoir Street, Chino, CA 91710