

KINGSTON

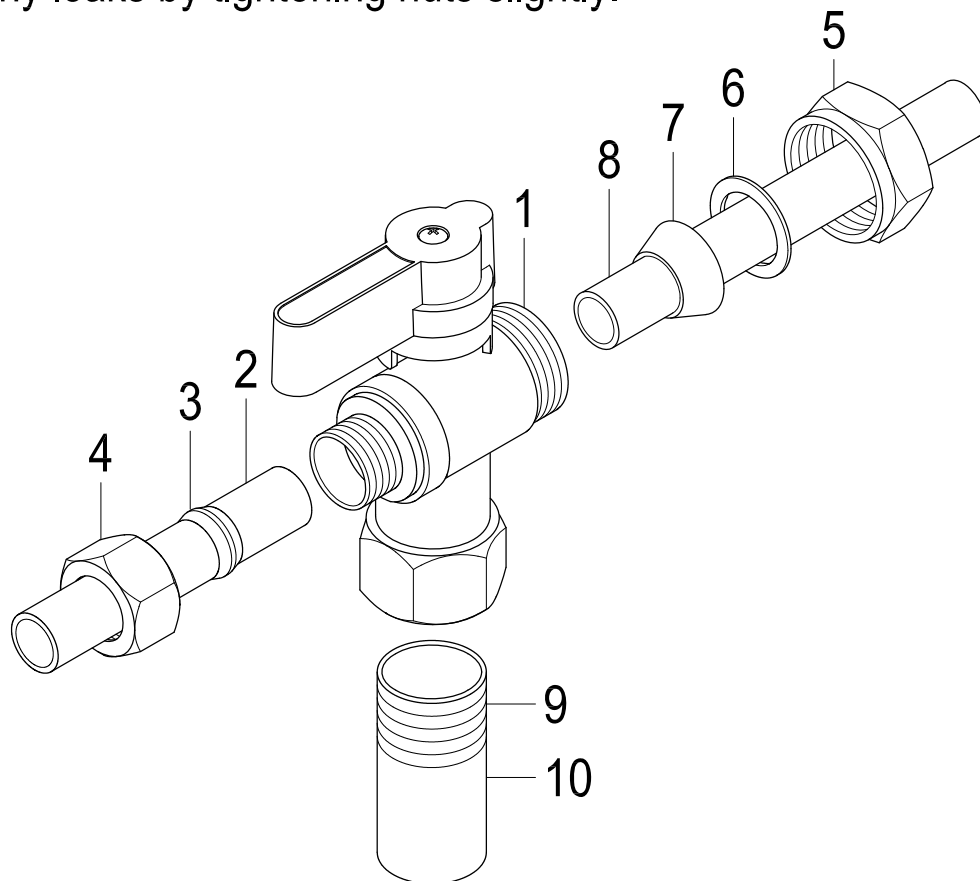
KITCHEN & BATH

INSTALLATION INSTRUCTIONS

Angle & Straight Stop

Instructions:

1. Place nut (4) and ring (3) on tube (2).
2. Insert tube (2) into valve.
3. Wrench tighten nut (4) onto valve.
4. Apply thread sealant tape to threads (9).
5. Screw valve body (1) onto pipe (10).
6. Place nut (5), metal washer (6) and rubber washer (7) on tube (8).
7. Insert tube (8) into valve.
8. Wrench tighten nut (5) onto valve.
9. Stop any leaks by tightening nuts slightly.



NOTICE

Failure to follow all directions may cause leaks
which may result in water damage

www.kingstonbrass.com
TOLL-FREE CUSTOMER SERVICE: 1-877-2-KBRASS
TECHNICAL SUPPORT E-mail: service@kingstonbrass.com
12775 Reservoir Street, Chino, CA 91710