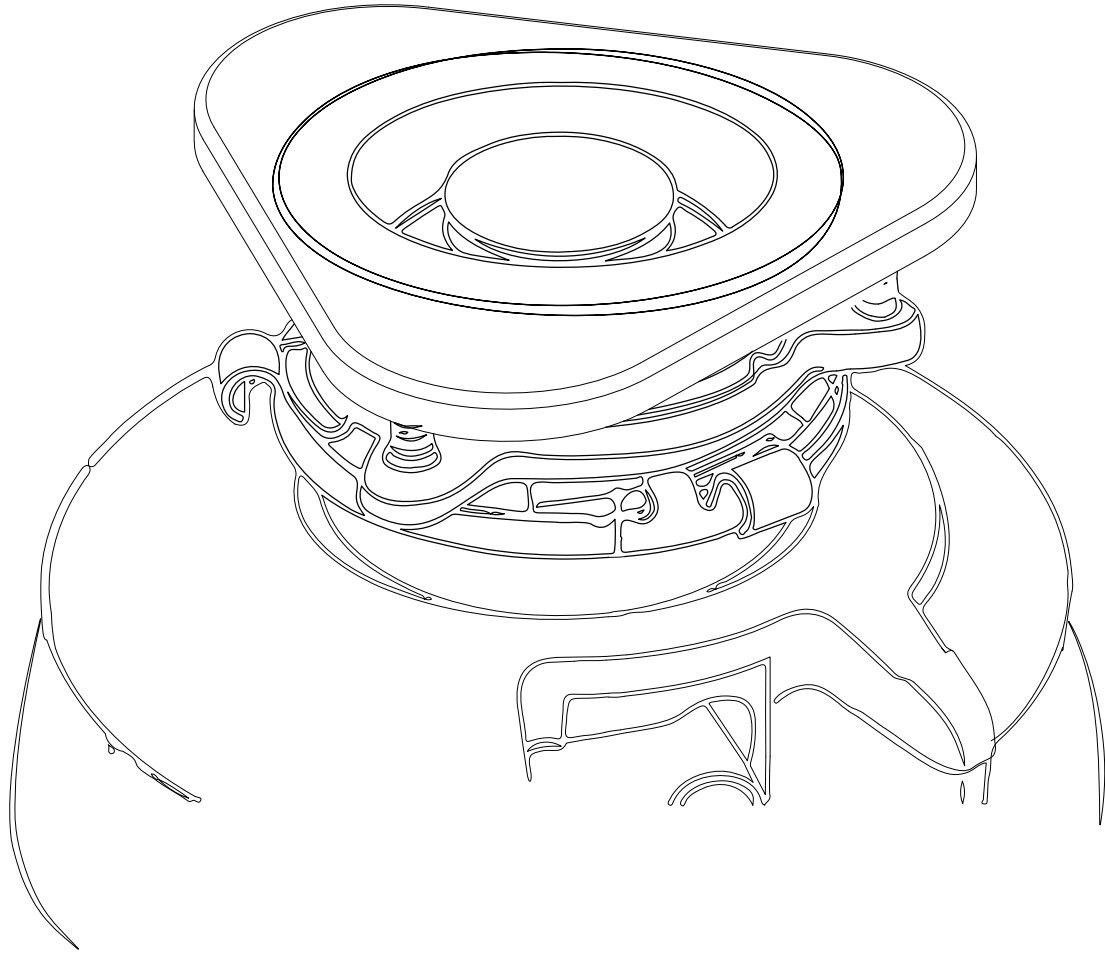


KINGSTON

KITCHEN & BATH

INSTALLATION INSTRUCTIONS Garbage Disposal Flange Kit



www.kingstonbrass.com

TOLL-FREE CUSTOMER SERVICE: 1-877-2-KBRASS

TECHNICAL SUPPORT E-mail: service@kingstonbrass.com

12775 Reservoir Street, Chino, CA 91710


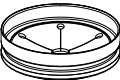









⚠ DANGER

Hazardous voltage (120v).
Contact may cause electrical shock and injury.
Disconnect power before servicing
This equipment is to be serviced by trained
personnel only

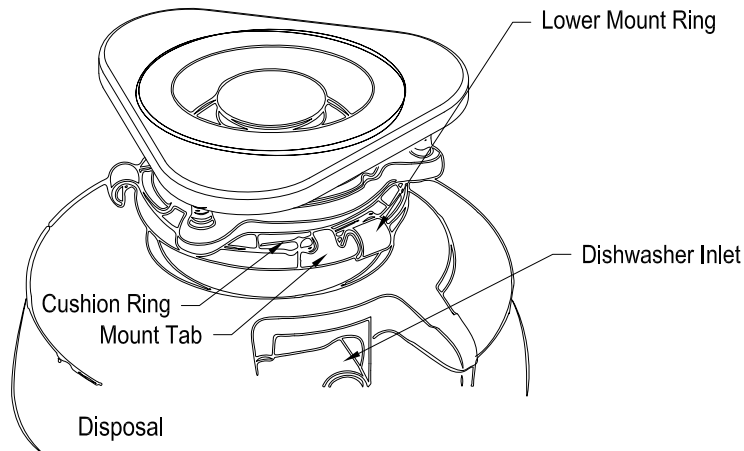
NOTICE

Failure to follow all directions may cause leaks
which may result in water damage

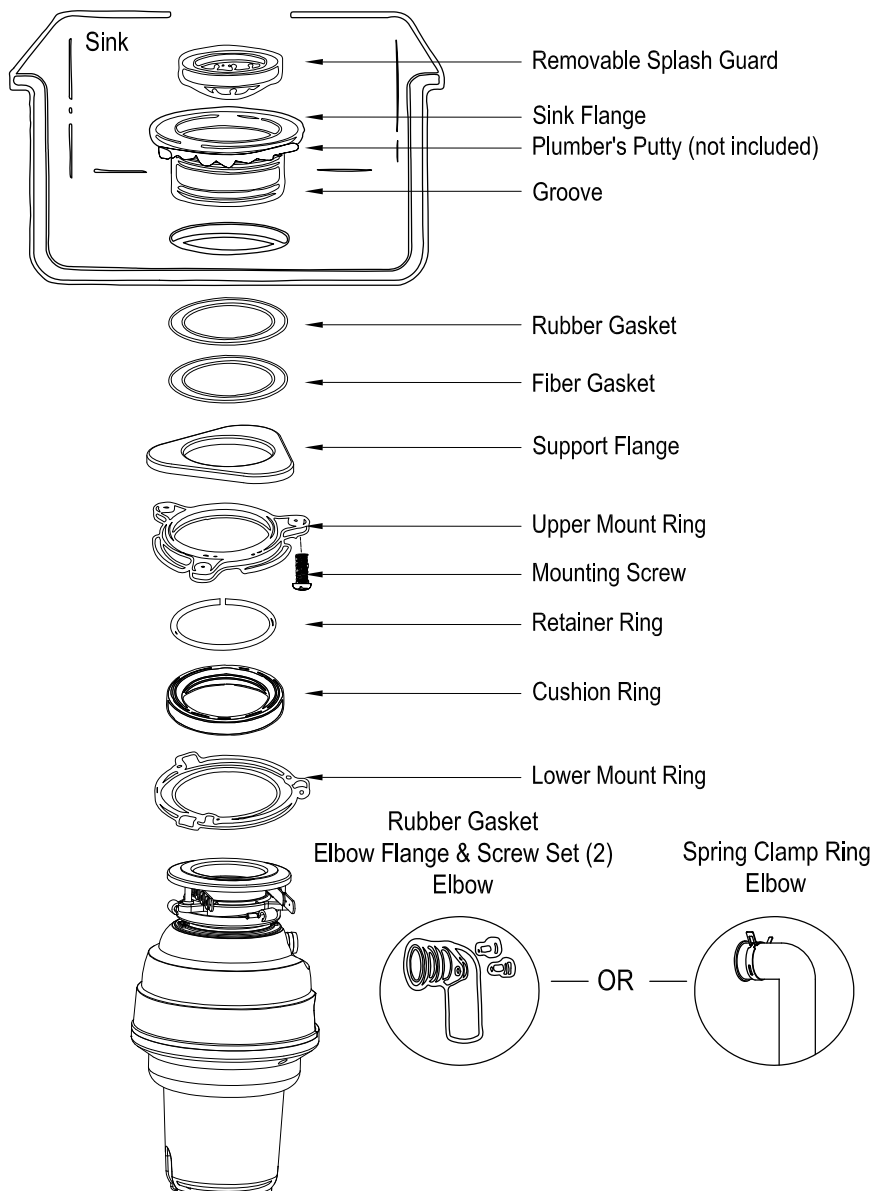
INSTALLATION OF MOUNTING ASSEMBLY

- A**  STOPPER
- B**  REMOVABLE SPLASH GUARD
- C**  SINK FLANGE
- D**  RUBBER GASKET
- E**  FIBER GASKET
- F**  SUPPORT FLANGE
- G**  UPPER MOUNT RING
- H**  MOUNT SCREWS
- I**  RETAINER RING
- J**  CUSHION RING*
- K**  LOWER MOUNT RING*

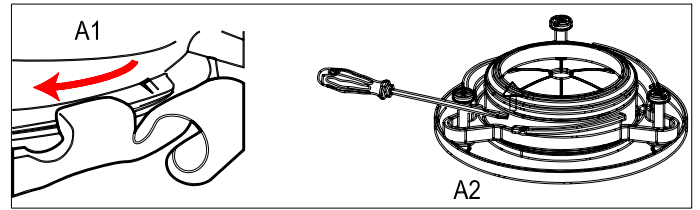
READ CAREFULLY AND COMPLETELY BEFORE STARTING
NOTE: As the mounting assembly is properly assembled at the factory, please pay close attention to the order of the mounting system parts.



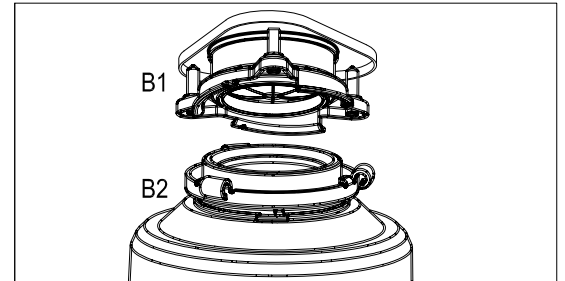
NOTE: Cushion Ring included between the Upper Mount Ring and Lower Mounting Ring.
※ Part not disengaged during disposal installation.



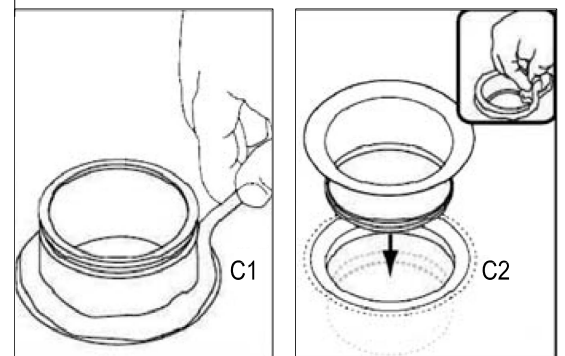
A. The Cushion Ring and the Lower Mount Ring will remain attached to the disposal during installation. Take apart the other parts of the mounting assembly by rotating the Lower Mount Ring (J on page 3) clockwise until the Lower Mount Ring Tabs slide off from the Upper Mount Ring ramp (A1). This allows you to pull the Sink Flange up and out of the remaining Lower Mount Assembly. Note the order of these parts as they are arranged in the required order. Unscrew the 3 Mount Screws until the Upper Mount Ring can be moved to the top of the Support Flange. Remove the Retainer Ring with a flat head screw driver. (A2)



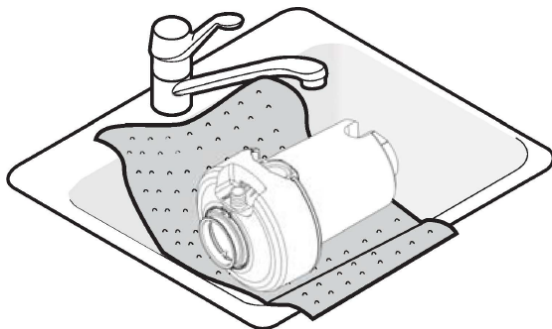
B. Keep the remaining parts placed together in the order they were removed (B1). Before you connect the disposal to the mount assembly under the sink, make sure the Lower Mount Ring is in place and the black Cushion Ring is still engaged properly to the top of the disposal hopper (B2).



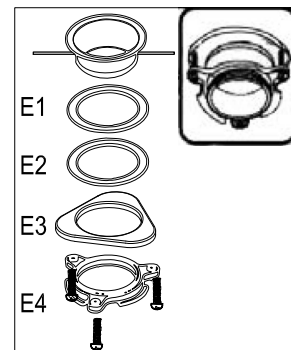
C. Be sure the sink is clean. Load the underside rim of the sink flange with plumber's putty (C1). From top of the sink, push the sink flange down against the sink opening to make a good seal (C2). DO NOT MOVE OR ROTATE the sink flange once it has been seated or the seal may be broken.



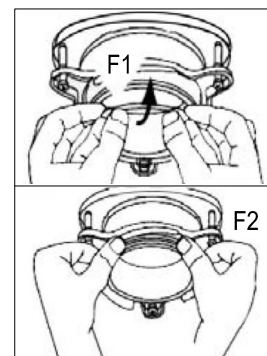
D. Place a heavy object, such as the disposal (use a towel to prevent sink scratching) on top of the Sink Flange to hold it down.



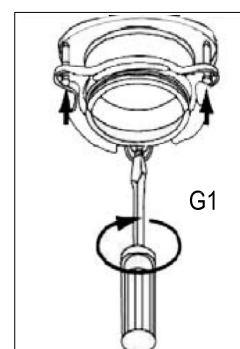
E. Take the remaining portion of the mount assembly, that was put aside. From under the sink insert the Rubber Gasket (E1) and the Fiber Gasket (E2), then the Support Flange (E3), and then the Upper Mount Ring (E4).



F. Hold the three parts in place while attaching the Retainer Ring (F1) by pulling it apart and having it snap within the groove of the sink flange (F2).



G. Tighten the three Mount Screws evenly and firmly against the Support Flange (G1). Do not over tighten.



H. Trim off any excess plumber's putty in the sink with a plastic knife or something similar that will not damage your sink.

LOCKING MOUNTING ASSEMBLY DETAIL

Attach disposal onto the Upper Mount Ring by aligning the three mount tabs on the Lower Mount Ring with the slide-up Ramps on the Upper Mount Ring and rotating counter clockwise. See Below.

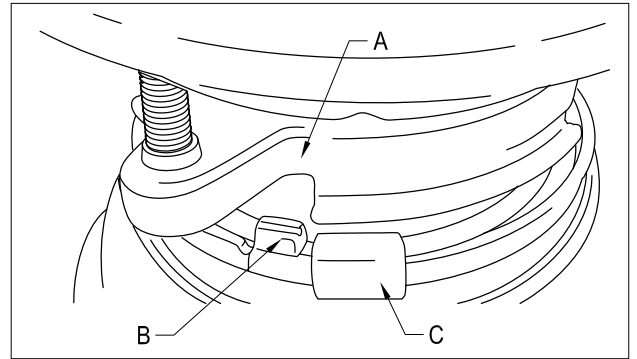
The lower mounting ring (which is part of the disposal) has 3 tabs that grab the mounting ring ramp.

(A) points to the Upper Mount Ring.

(B) is the tab that slides up onto the "Ramp".

(C) is the "Ear" that is used to help rotate the Lower Mount Ring.

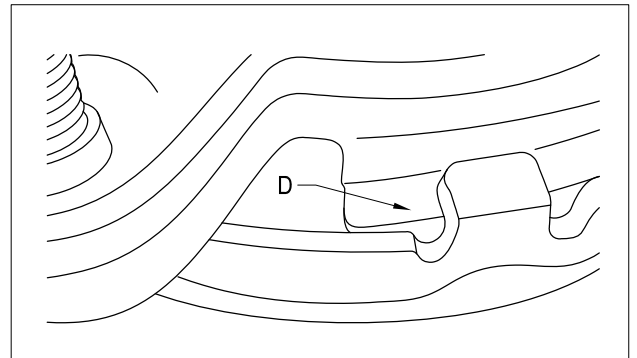
Use a screwdriver for leverage if needed.



Lift and turn the Lower Mount Ring counter clock-wise until all three mount tabs lock over the Ridges

(F) on the slide-up Ramps

(D) of the Upper Mount Ring.



As the Lower Mount Ring is turned counter clockwise each tab slides up onto the Upper Mount Ring Ramp (E) and locks in position over the Ridges (F).

Use a screwdriver or hammer for leverage if needed.

If a disposal needs to be removed, tapping on the Ear clockwise with a hammer will easily loosen the Lower Mount Ring.

