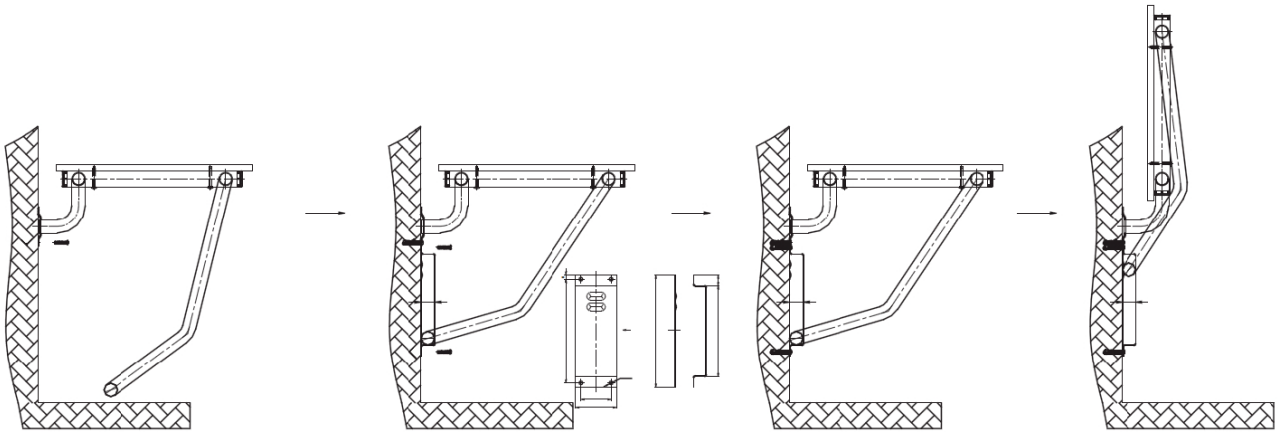


KINGSTON

KITCHEN & BATH

INSTALLATION INSTRUCTIONS Shower Seat-Wall Bracket Mount



Tools required:

Electrical screwdriver, masonry bit (1/8 and 1/4 inch), punch.

SS steel wood screws : Ø5.0 mm x 45~48 mm length provided by the manufacturer.

Typical installation:

The typical shower wall surround may be a 2 x 4 wood stud frame, covered with gypsum drywall, tile board or plaster. The shower wall finish is usually ceramic tile. **These materials alone are not adequate to support the fold down seat unless you can mount into existing wood blocking or wall studs.** You can use a 1/8 inch masonry bit, drill through the tile grout to determine if studs are in place.

Strong wall support is required:

Installation of the wall mounted folding shower seat requires wood blocking in a typical stud wall. We suggest installing continuous 2 x 12 wood blocking between the studs, starting from the floor plate up to at least 24 inches above the shower floor. Remodeling an existing shower can be more involved. If the shower backs up to an interior wall, consider removing the wallboard and installing the blocking from the backside. If not, it may be required to remove and replace a portion of the existing shower wall tile.

Mark the screw holes and secure the shower seat:

Once the wood blocking is in place and the wall finish has been installed. Position the shower seat at the required height, normally 17-19 inches above the floor. Use a marker to mark the flange and wall bracket screw locations. Use a punch and hammer to carefully nick the tile to prevent the drill bit from wandering. Use a 1/4 inch masonry bit and drill through the tile. Place shower seat back and align flanges and wall bracket with all the drilled holes. Use electrical screwdriver to drive all wood screws onto the wood blocking and secure the shower seat on the wall.

Max. Loading: 120kgs (265 lbs)

OUR SHOWER SEATS ARE ONLY AS STRONG AS THE MOUNTING HARDWARE CHOSEN AND THE WALLS ON WHICH THEY ARE MOUNTED.

SAFETY NOTE: Concealed In-Wall support backing is ALWAYS REQUIRED for this product (not included) - and must be supplied and selected by a licensed installer / contractor to meet both weight bearing and local code requirement.

PRODUCT INSTALLATION SHOULD BE DONE BY A LICENSED INSTALLER/CONTRACTOR.

CAUTION: Personal injury and/ or property damage may result from improper wall support or mounting, which is not covered under warranty.

KINGSTON

KITCHEN & BATH

INSTALLATION STEPS:

1. Confirm contents of box: Shower seat, metal wall bracket, and bracket mounting screw assemblies (pictured above)
2. Test seat up/ down movement, then set in down position and carefully consider the following before installing:
 - ADJUST MOUNTING LOCATIONS: Install only where proper structure is provided behind the wall. Measure area on the wall of seat in the up/ collapsed position, to avoid hitting other objects. Also avoid pipe/ wires/ grout/ etc.
 - ADJUST HEIGHT: To meet Local Building Codes and ADA requirements, height from top of seat (in lowered/ in-use position) to finished floor must be 17" to 19".
 - ADJUST TO BE LEVEL: Seat must be flat (not angled to one side); use a level tool while marking screw locations.
 - ADJUST DISTANCE FROM THE WALL: ADA requires minimum 1-1/2" distance between seat rear edge and wall, when seat is the lowered (in-use) position.
3. Seat is installed in two steps: Flanges first then the bracket. Determine seat height on the wall, then determine seat position in the folded, upright position. Use mounting flange as a template and mark each hole location with pencil.
4. **IMPORTANT: MUST HAVE PROPER CONCEALED IN-WALL BACKING INSTALLED BY A LICENSED INSTALLATION PROFESSIONAL AT SCREW MOUNTING LOCATIONS.**
5. Onto the backside of each flange, where it will touch the wall - apply a bead of silicone caulk in the shape of a half circle above all top screws and around each lower screw hole.
6. Install the seat with the manufacturer's provided screws. After installing the seat, inspect each screw to ensure it is tight, straight and flush with the flange. Avoid damage to wall, tile, or fasteners by not over-tightening screws.
7. Test seat up and down movement.
8. Support seat in horizontal (in-use) position, with support tube bottomed out completely in the Guide Bracket slot.
9. Hold Guide Bracket tightly in place flat against the wall, and mark the position of the mounting holes on the wall.
10. Raise seat to the upward position while holding Guide Bracket in position, and verify position of marked holes.
11. Mark, drill and secure Guide Bracket in similar manner to flanges (per step 6).
12. Test seat by applying gradual pressure in down position, testing movement up/ down, and verifying seat stays in raised position.

Maintenance: Clean with mild soap and water.

Warranty- Full 1 year warranty for material defects and manufacturing defects.

CAUTION

Failure to follow all installation directions may cause product to detach from the wall and cause serious injury

www.kingstonbrass.com

TOLL-FREE CUSTOMER SERVICE: 1-877-2-KBRASS

TECHNICAL SUPPORT E-mail: service@kingstonbrass.com

12775 Reservoir Street, Chino, CA 91710