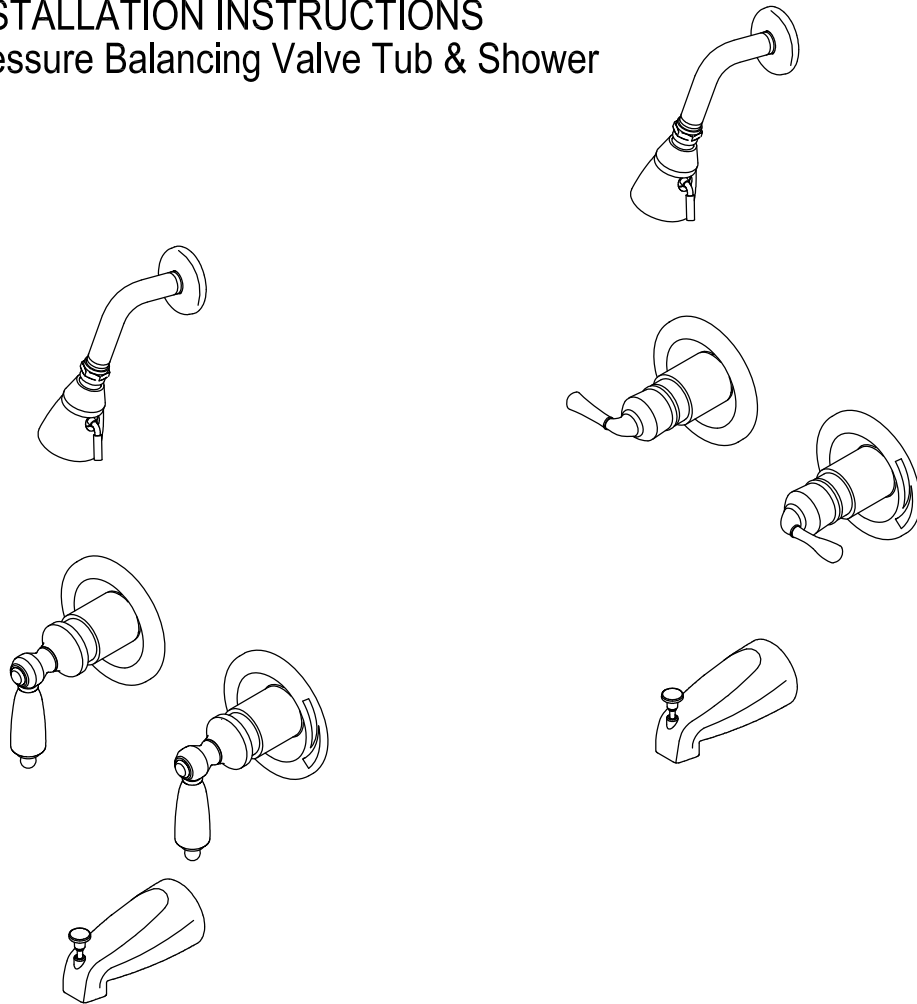


KINGSTON

KITCHEN & BATH

INSTALLATION INSTRUCTIONS

Pressure Balancing Valve Tub & Shower



www.kingstonbrass.com
TOLL-FREE CUSTOMER SERVICE: 1-877-2-KBRASS
TECHNICAL SUPPORT E-mail: service@kingstonbrass.com
12775 Reservoir Street, Chino, CA 91710

NOTICE

Failure to follow all directions may cause leaks
which may result in water damage

CAUTION

Failure to follow all installation directions may
cause product to detach from the wall and
cause serious injury

Pressure Balancing Valve and Mounting Bracket:



Before Installation :

Flush all lines to avoid debris from getting into your shower valve as this may affect its proper functioning.

Failure to flush lines properly will void warranty

Apply Teflon tape or pipe thread sealer on all threaded connections

Do not over-tighten any of the threaded connections as this may create structural damage and cause leaking.

Do not use any power tools for assembly or installation of this shower valve as this may cause structural damage to the fixture.

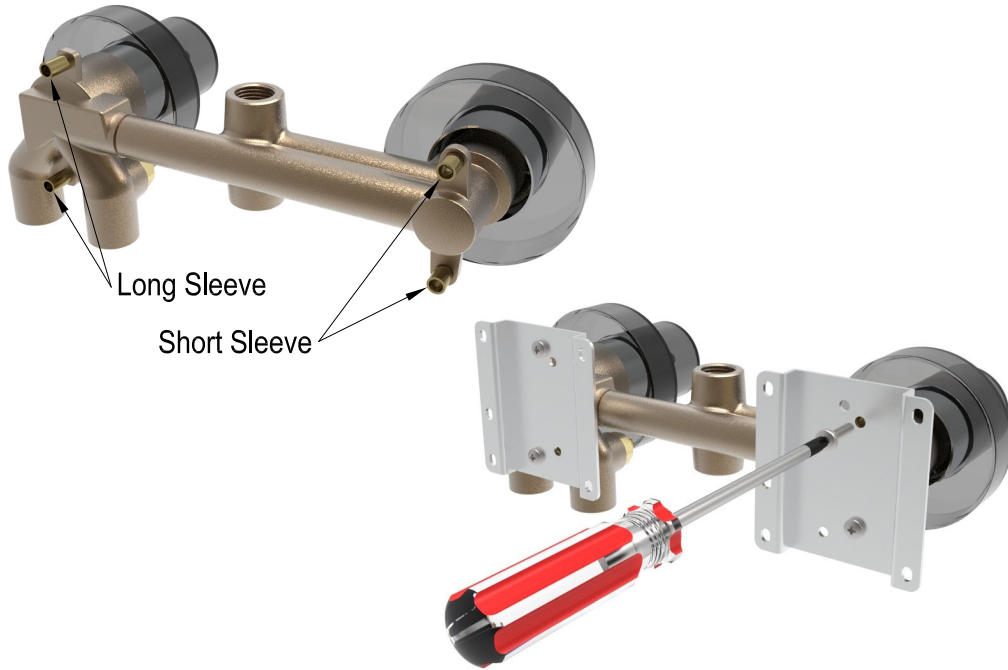
Shut off water supply to the shower valve

Tools required for installation of this product are :

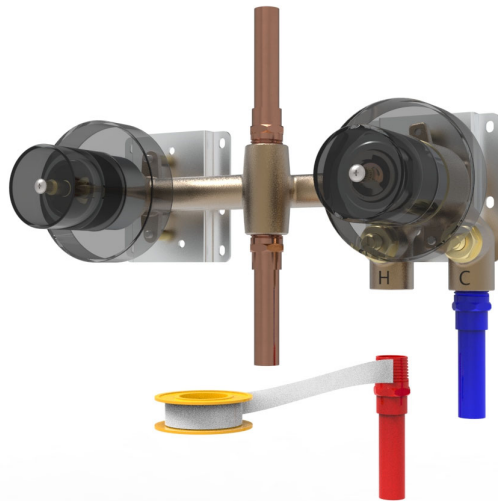
1. Screw Driver
2. Tubing Cutter
3. Teflon Tape
4. Adjustable Wrench
5. Channel-lock Pliers
6. Measuring Tape

Installation Step:

1. Flip the valve to the back side, pass screws through the sleeves, then secure the mounting bracket onto the valve. Use a screwdriver to tighten the screws.

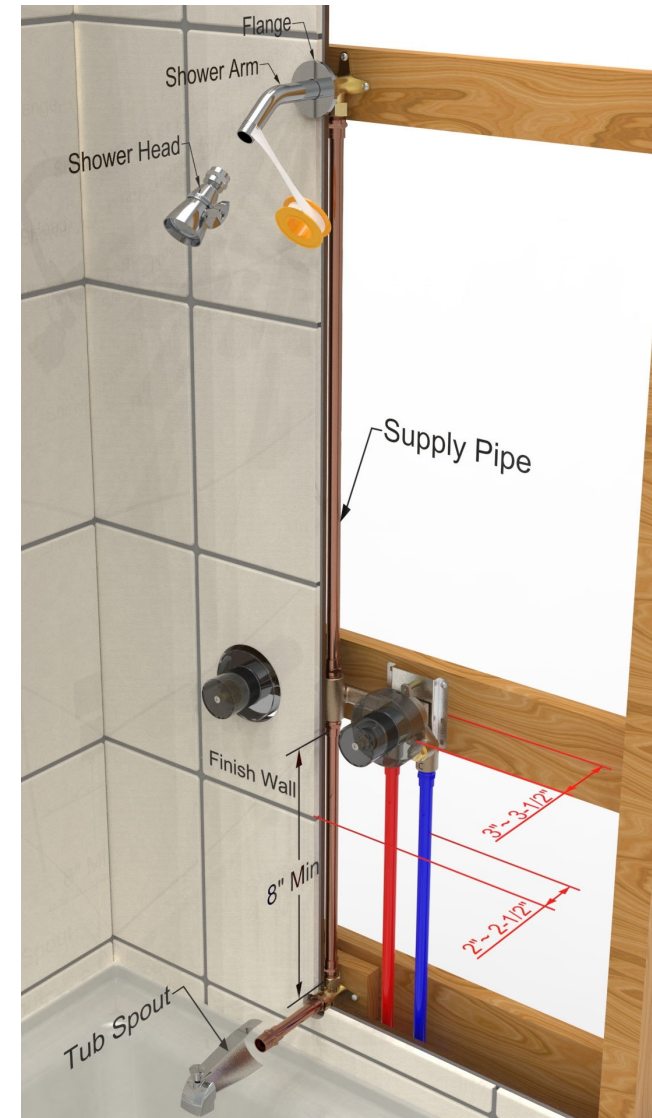


2. Apply Teflon tape or pipe thread sealer on all threaded connections.



3. Install valve, marking sure 'up' outlet is facing up. Connect water supplies to valve. (Hot water to left side and cold to right side.) Use compound or tape on all threaded connections.

4. Connect shower and spout units to valve. Do not attach showerhead to shower arm until after you have flushed the system. If no shower is to be installed, use a 1/2" plug to close top opening of valve. If no spout is to be installed, use a 1/2" plug to close bottom opening of valve.
5. After all connection are made. Test and flush the system. Turn on the water and check connections for any leaks. Place handle on valve stem and flush lines by running hot and cold water uninterrupted for one minute.
6. Turn off the water and connect the showerhead.
7. Remove handle. Push valve escutcheon over protruding valve assembly and secure with screws. Then replace handle.



Setting Limit Stop:

- * Attach the handle to the valve. Secure the handle with screw making sure the handle is installed correctly.
- * The limit stop is preset by the manufacturer so that the discharge temperature will not exceed 49°C (120° F). However, the preset temperature can be changed by first removing the handle and then removing the limit stop (Red Knob). Catch the red knob with long nose pliers and pull out from the cartridge for a higher temperature.

- (A) Reinstall to the left of the original position in the cartridge for higher temperature.
(B) Reinstall to the right of the original position in the cartridge for a lower.

- * Replace handle to the valve.

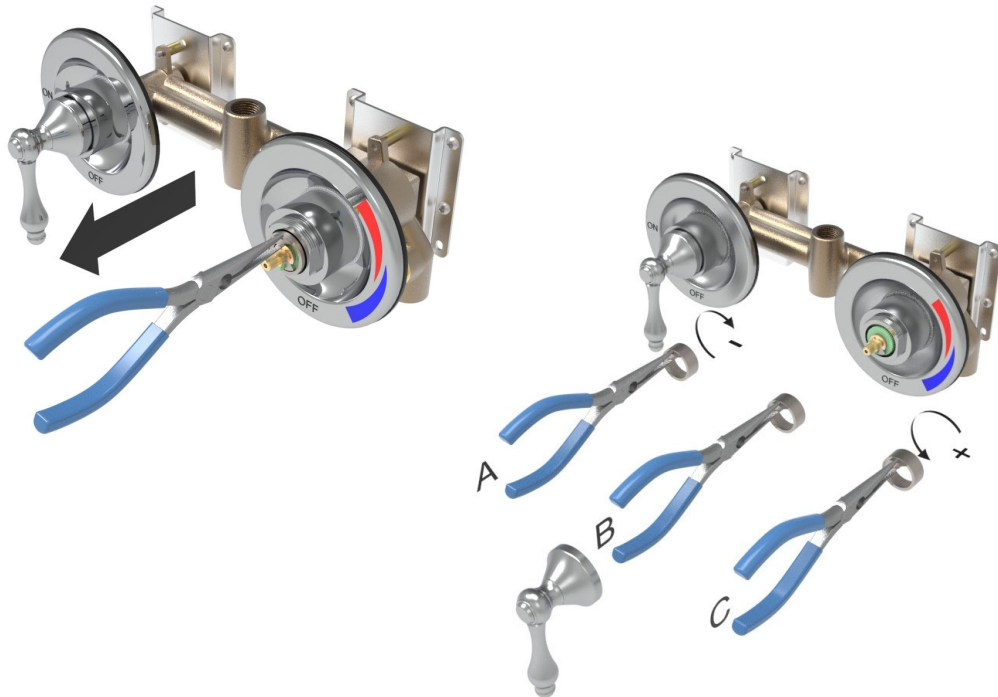
Warning: Failure to adjust the limit stop screw properly may result in serious scalding. This shower system may not protect the user from scalding when there is a failure of other temperature controlling devices elsewhere in the plumbing system.

For New Installation:

An optional plaster guard has been included. This is used as a template for hole size and to protect the valve during construction.

For New Installation:

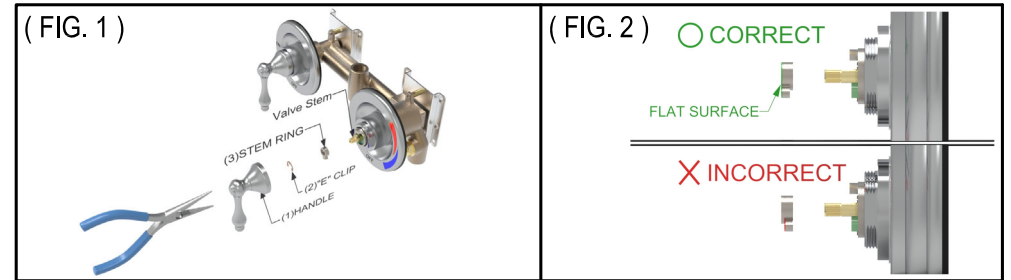
To clean, wipe gently with a soft cloth, then wipe dry. Do not use abrasive, detergents or polishes, as this could damage the finish and void the warranty.



Back to Back installation instructions:

In situations where the hot and cold water inlet supplies are not in the standard positions, a reversible type cartridge can be used. A reversible cartridge will allow you to modify the direction of the water supply to the correct orientation without changing the pipe locations. It is easy to change the installation by yourself by using the following instruction.

1. Remove the handle (1) from the body with hand. (Fig. 1)
2. Remove the "E" clip (2) from the cartridge body with pliers.
3. Remove the stem ring (3) from the cartridge body with pliers.
4. Reverse the cartridge stem by turning 180. (It is not necessary to remove the cartridge.)
5. Replace the stem ring into the cartridge make sure the flat side is on top. (see Fig. 2)
6. Replace the "E" clip onto the cartridge body.
7. Reinstall the cap to the body and hand tighten.



CAUTION !!!

1. Water lines must be completely flushed before use, to avoid debris & clogs in your water system leading to reduction of water flow and mal-functioning.
2. Warranty is void if water lines are not flushed prior to use and installation of the new faucet.
3. Use of abrasives of any strength may damage the finish of the faucet and void the product warranty.
4. Do not over tighten your faucet on the countertop during installation. The valve assembly is tested to meet the standards set by ASME A112.18.1 sec 5.8 which is listed at 100 LBF. However, over-tightened or over-torqued nuts may lead to cracks on the valve and will eventually lead to leaking and water damage.
5. Before installation of the faucet to the desired fixture, you need to secure and anchor your console, sink, tub, or vanity cabinet firmly to the wall and to the floor. To ensure your fixture or faucet mounting surface cannot be moved, before installation of the faucet, please test to see if the cabinet or vanity can be moved by hand or body weight. If the faucet mounting fixture is not secure and anchored, it will eventually crack the valve and cause leaking leading to property damage. In order to avoid this, be sure to secure your installation surface. Do not use any Power Tools for assembly and installation which can cause internal fractures to the fixture.