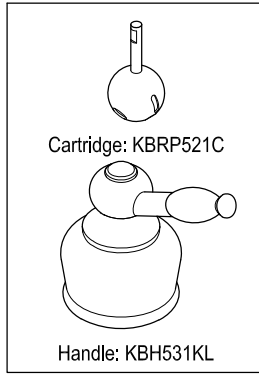
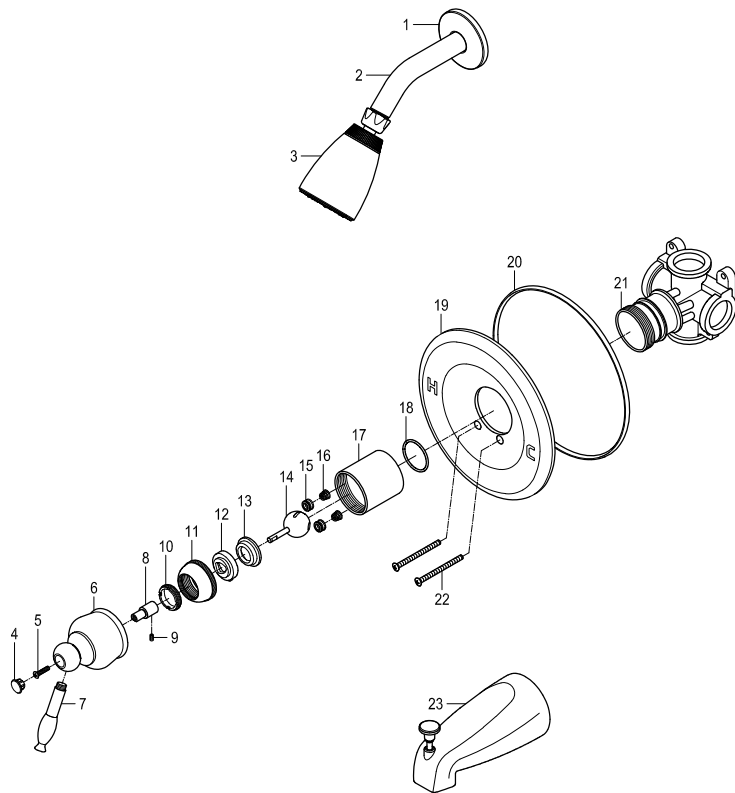


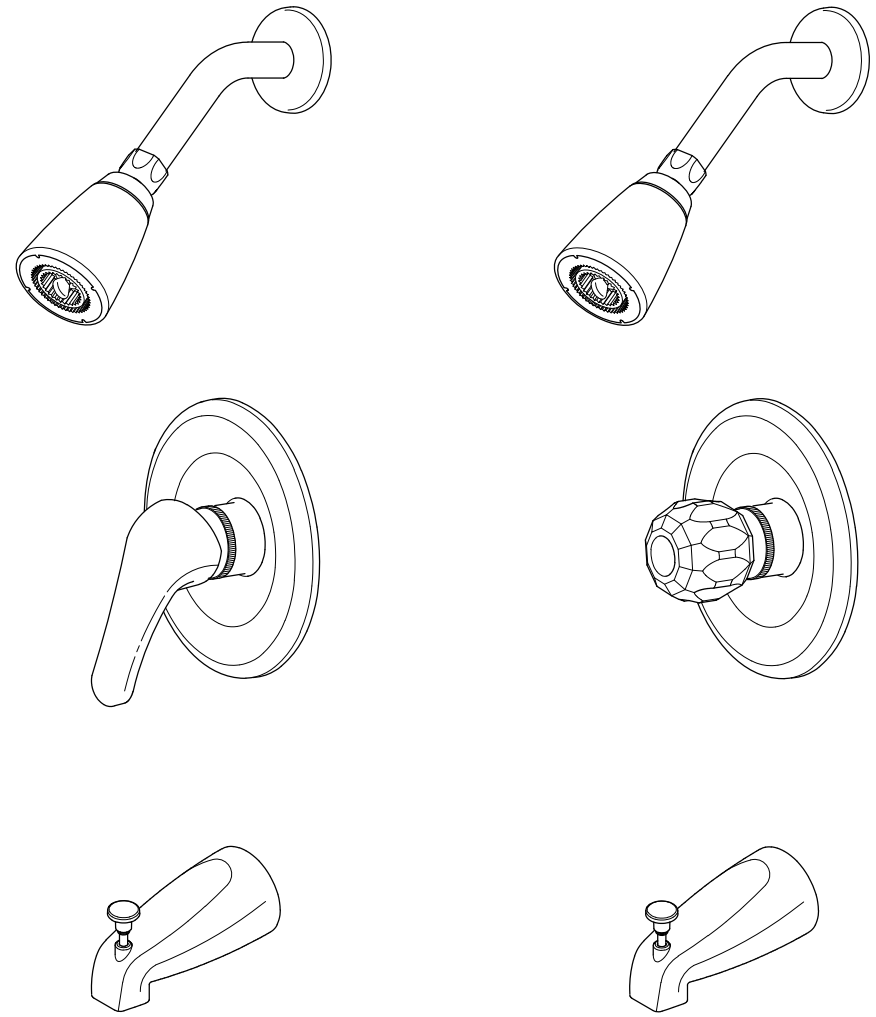
Parts:

Replacement Parts:



KINGSTON

KITCHEN & BATH



CARE AND MAINTENANCE OF YOUR FAUCET

Your Kingston Brass faucet has been finished to the most strict standards; however, due to the high content of minerals in the water, your finish may appear dull and tarnished after time. These are some do's and don'ts to maintain the luster on your faucet for many years to come.

DO

1. Use a silicon based caulking when installing.
2. Clean your faucet with only a mild soap and water solution.
3. Dry your faucet after using it.
4. Give it a coat of Carnauba Wax periodically.

DON'T

1. Use plumbers putty when installing the faucet.
2. Use any abrasive cleaning agents.

It may seem like a very simple and short list but it is that simple to maintain your faucet, looking shiny and new.

If your faucet is already looking somewhat dull and tarnished, before replacing it, try cleaning it with a 50/50 solution of vinegar and water, you may need to soak some rags and wrap around those stubborn areas, leave overnight and rinse completely in the morning, apply Carnauba wax once you have removed the mineral deposits.

NOTICE

Failure to follow all directions may cause leaks which may result in water damage

www.kingstonbrass.com
 TOLL-FREE CUSTOMER SERVICE: 1-877-2-KBRASS
 TECHNICAL SUPPORT E-mail: service@kingstonbrass.com
 12775 Reservoir Street, Chino, CA 91710

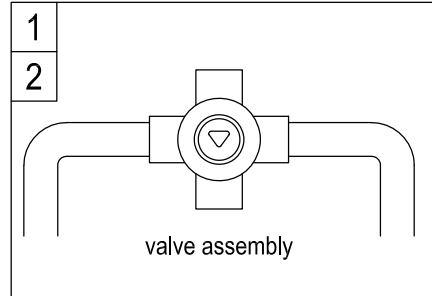
KINGSTON

KITCHEN & BATH

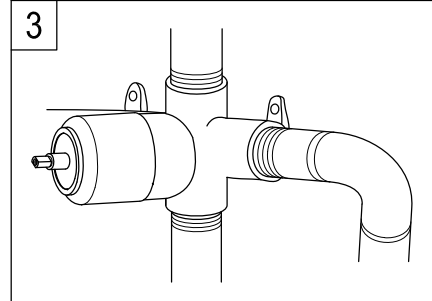
INSTALLATION INSTRUCTIONS Single Handle Tub & Shower Faucet

BEFORE BEGINNING INSTALLATION:

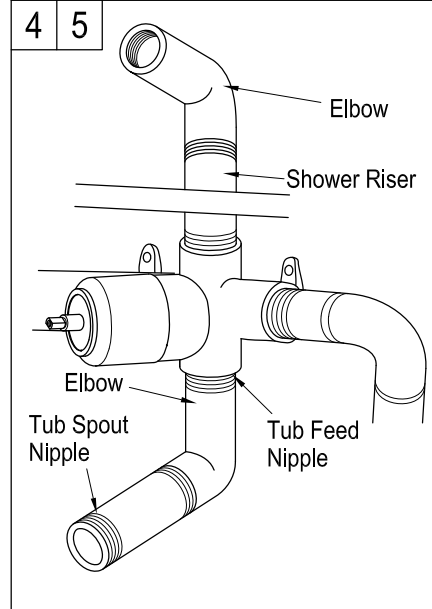
1. Flush plumbing lines to clear any debris.
2. Shut off both supply lines after flushing.



1. Turn off water supply.
2. Install valve assembly so that the "V" shape of the white plastic cam, located at front of valve assembly, point downward.

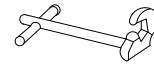


3. Connect water supply lines to valve. (Hot water to left and cold water to right side of valve.) Use compound or tape on all threaded connections. Connect valves to spout.



4. Assemble 1/2" elbow and 1/2" feed nipple. Screw into bottom of valve. Screw 1/2" tub spout nipple into elbow. Nipple should extend out from wall about 4-1/4". (If no shower is to be installed, use a 1/2" plug to close top opening of valve.)
5. Assemble 1/2" shower riser pipe and 1/2" elbow. Screw into top of valve. (If no spout is to be installed, use a 1/2" plug to close bottom opening of valve.)

Need Tools:



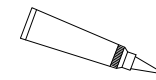
Basin Wrench



Adjustable Wrench



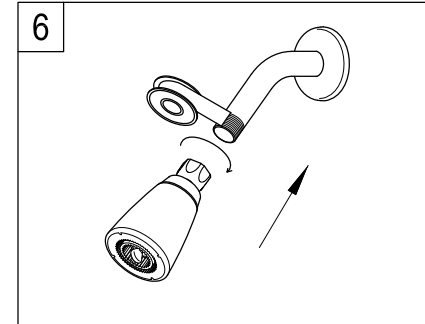
Teflon Tape



Silicone Sealant

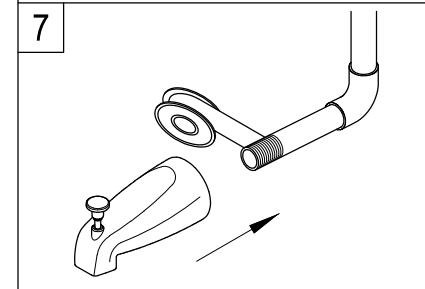


Screwdriver

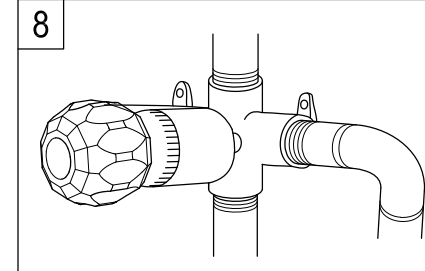


6. Wrap Teflon tape around all the threads on shower arm and hand tighten the showerhead clockwise. Turn the water on and check for leaks, any leaks will require minor tightening or adjustment.

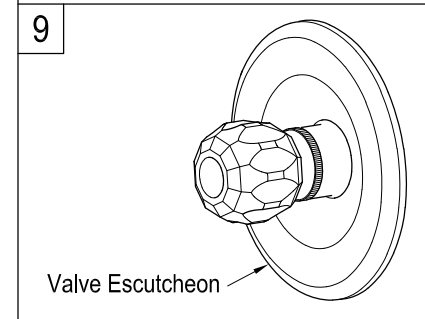
If the shower head leaks at the connection to the thread shower arm, tighten the connection some more by using a wrench.



7. Apply pipe compound to tub spout nipple and attach spout to nipple. Hand tighten. Apply Teflon tape to inlet shanks and connect supply lines.



8. Turn on water supply and check connections for leaks. Place handle on valve stem and flush lines by running hot and cold water uninterrupted for one minute.



9. Remove handle. Push valve escutcheon over protruding valve assembly and secure with screws. Then replace handle.