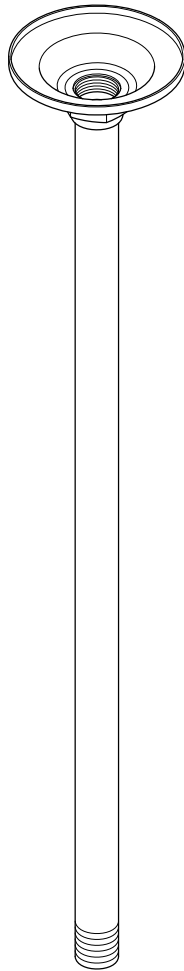


# KINGSTON

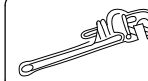
KITCHEN & BATH

## Ceiling Support Installation



www.kingstonbrass.com  
TOLL-FREE CUSTOMER SERVICE: 1-877-2-KBRASS  
TECHNICAL SUPPORT E-mail: [service@kingstonbrass.com](mailto:service@kingstonbrass.com)  
12775 Reservoir Street, Chino, CA 91710

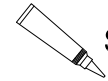
### TOOLS REQUIRED



Pipe Wrench



Teflon Tape



Silicone Sealant

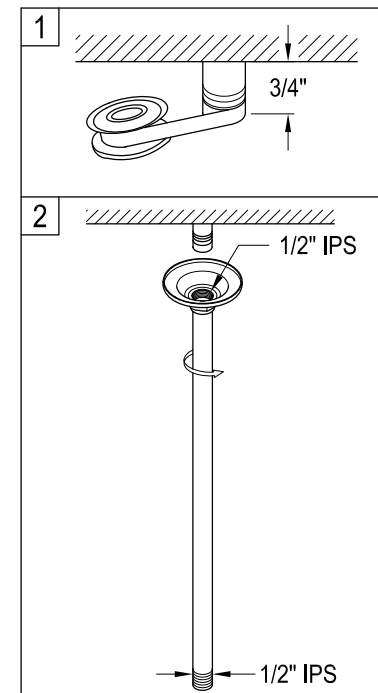
This product is designed to be installed on a level ceiling surface, rough in showerhead stub-out with 1/2" IPS pipe, make sure that the stub-out protrudes 3/4" from the finished ceiling surface.

#### WARNING:

To avoid wrongful installation to damage thread and product by wrong ceiling pipe thread size, you need to make sure:

- (1) Please MEASURE CEILING pipe is cut 3/4" long distance protrusion from the ceiling, exact size is needed to seal the shower arm correctly.
- (2) To assure your pipe thread is 1/2" IPS with NPT 14 Thread for shower head applications.
- (3) You may test your ceiling PIPE THREAD by mounting a shower head.
- (4) To perform the above require procedure to avoid leak of the installation.

#### Installation Steps:



1. Apply a minimum 3 revolutions of Teflon tape to the threads on the stub out.

2. Apply a small bead of silicone based caulking to the perimeter of the flange and thread onto the 1/2" IPS stub-out, clean excess caulking.

#### Cleaning

Clean with a damp cloth only.  
Avoid using metal or abrasive polishes.