

KINGSTON

KITCHEN & BATH

INSTALLATION INSTRUCTIONS

Swivel Shower Arm Mount

Installation Steps:

Step 1. Insert the rubber washer to the bottom of the inlet.

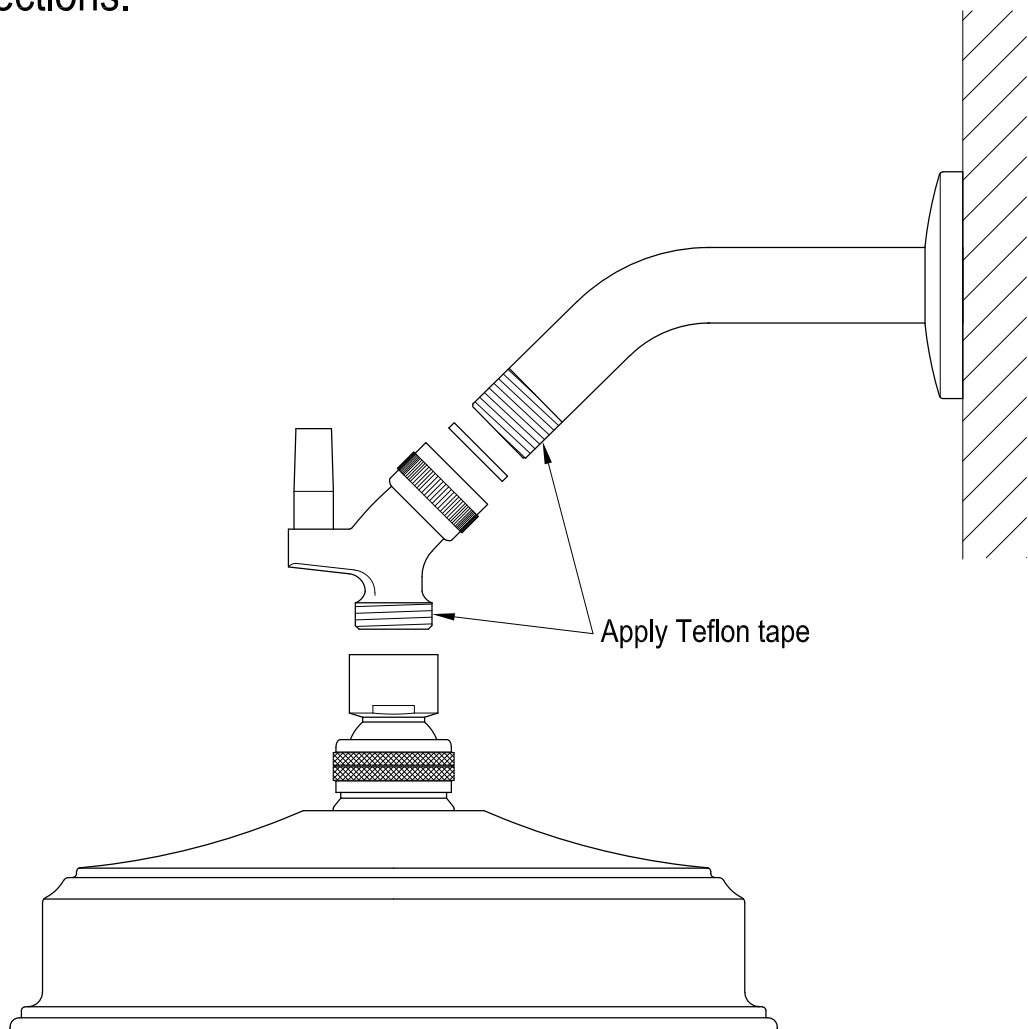
Step 2. Apply Teflon tape on both IPS threads of the outlet and the shower arm.

Step 3. Thread-connecting with the shower arm, then with the showerhead.

DO Not Over -Tighten

Mark sure the showerhead is facing down.

Step 4. Turn on the valve to do water test and mark sure no leakage around the connections.



NOTICE

Failure to follow all directions may cause leaks
which may result in water damage

www.kingstonbrass.com

TOLL-FREE CUSTOMER SERVICE: 1-877-2-KBRASS

TECHNICAL SUPPORT E-mail: service@kingstonbrass.com

12775 Reservoir Street, Chino, CA 91710

© 2024-01-D Kingston Brass