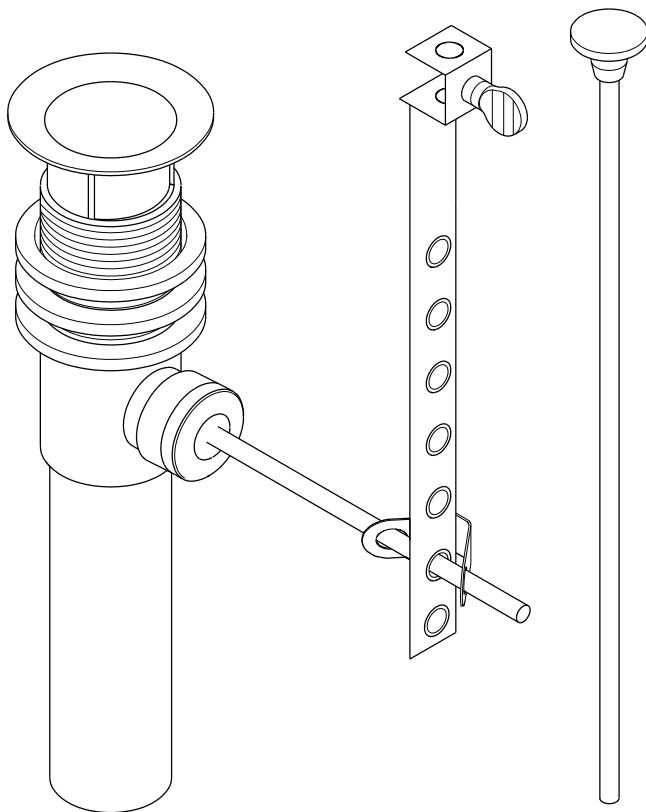


# ***KINGSTON BRASS***

**THE TRADITION OF FINE BRASS**



[www.kingstonbrass.com](http://www.kingstonbrass.com)

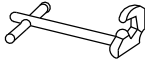
TOLL-FREE CUSTOMER SERVICE: 1-877-2-KBRASS

TECHNICAL SUPPORT E-mail: [service@kingstonbrass.com](mailto:service@kingstonbrass.com)

12775 Reservoir Street, Chino, CA91710

### INSTALLATION INSTRUCTIONS For Use With KB's Brass Pop-Up

#### Need Tools:



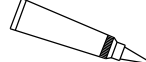
Basin Wrench



Adjustable Wrench



Teflon Tape



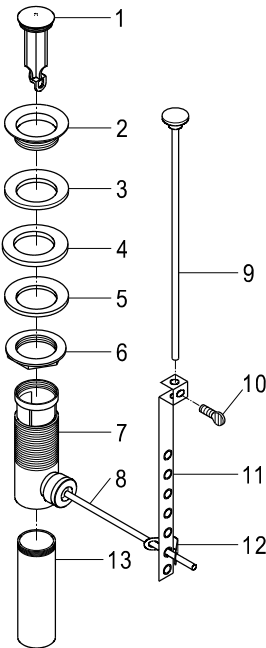
Silicone Sealant



Screwdriver

#### INSTALLATION:

1. Remove the drain flange (2) and drain plug (1) and rubber (3) from pop-up assembly.
2. Apply a small bead of silicone caulking (Do not use Plumbers putty) under drain flange.
3. Insert threaded end of pop-up assembly from underneath the sink.
4. Thread the drain flange (2) on top of pop-up assembly, making sure to position side hole towards the rear wall.
5. Insert drain plug (1) aligning the bottom hole with the side hole.
6. Insert small side of ball rod in side hole, making sure that the rod goes through bottom hole of drain plug.
7. Apply Teflon tape ball rod thread connection. Tighten nut so that ball rod (8) moves loosely, do not over tighten.
8. Insert pop-up rod (9) through the top portion of lift rod strap (11) and tighten thumb screw (10).
9. Push the ball rod down, this will make drain plug go up.
10. Insert one side of ball rod clip (12).
11. Insert lift rod strap onto ball rod.
12. Slide other side of ball rod clip.
13. Test movement of pop-up, if necessary adjust by loosening thumb screw and tightening in a position that will give you smooth movement. lift rod strap may also be used for adjustment.
14. Turn handles on faucet to the full on position and inspect to insure that there is no leaking underneath lavatory.



#### PROBLEM

On my faucet drain, the horizontal rod on the drain does not reach the adjustment bar that comes down vertically, what can I do?

#### CORRECTIVE ACTION

Try bending the adjustment plate that comes down (11) from the pop-up rod, first move the plate as far down as possible then gently bend towards the drain at 45 degree angle, then another 45 degree bend down to facilitate the insertion of the horizontal pivot rod, in most cases this procedure will help you reach the horizontal pivot rod.

