

# KINGSTON

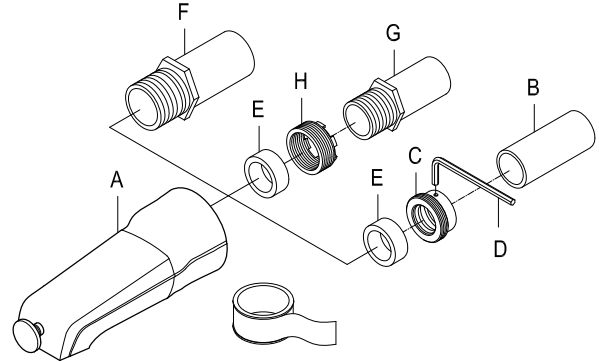
KITCHEN & BATH

## INSTALLATION INSTRUCTIONS

### Tub Spout

#### Assembly Instruction:

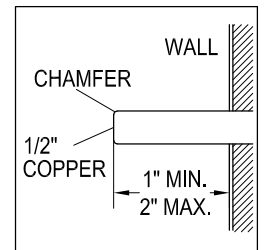
First remove old spout by placing a piece of wood. Such as a hammer handle. In the spout and turning it counter clockwise.



#### FOR 1/2" COPPER PIPE CONNECTION

Tools Required: Hex Wrench (Included)

1. The length of copper pipe (B) from the finished wall should be at least 1" to maximum 2".
2. Trim the end of copper pipe. Chamfer the pipe end (B) and remove all burrs to avoid nicking the O-ring.
3. Loosen the screw set. Slip the adapter (C) on copper pipe (B) and lean against the finished wall. Tighten with hex wrench (D).  
Caution: DO NOT crush the copper pipe.
4. Slip the rubber gasket (E) and lean against the adapter (C).
5. Wrap the threads of adapter (C) with Teflon tape. Fasten the spout (A) to the copper pipe clockwise manually until the adapter (C) is completely covered under the spout (A).



#### FOR 1/2" MALE THREADED CONNECTION

1. Wrap the male threads of the wall nipple (G) with Teflon tape.
2. Assembly the reducer adapter (H) to the wall nipple (G), and wrap the threads of reducer adapter (H) with Teflon tape.
3. Insert the rubber gasket (E) into the spout (A).
4. Assembly the spout (A) to the reducer adapter (H) till the adapter (H) is completely covered.

#### FOR 3/4" MALE THREADED CONNECTION

1. Wrap the male threads of the wall nipple (F) with Teflon tape.
2. Fasten the spout (A) to the 3/4" wall nipple (F) clockwise manually till the nipple is completely covered under the spout (A).

Note: To ensure the Teflon tape perform properly disregarding the tape thickness, it is recommended to wrap more than 6 cycles.

[www.kingstonbrass.com](http://www.kingstonbrass.com)

TOLL-FREE CUSTOMER SERVICE: 1-877-2-KBRASS

TECHNICAL SUPPORT E-mail: [service@kingstonbrass.com](mailto:service@kingstonbrass.com)

12775 Reservoir Street, Chino, CA 91710

© 2019-10-L Kingston Brass