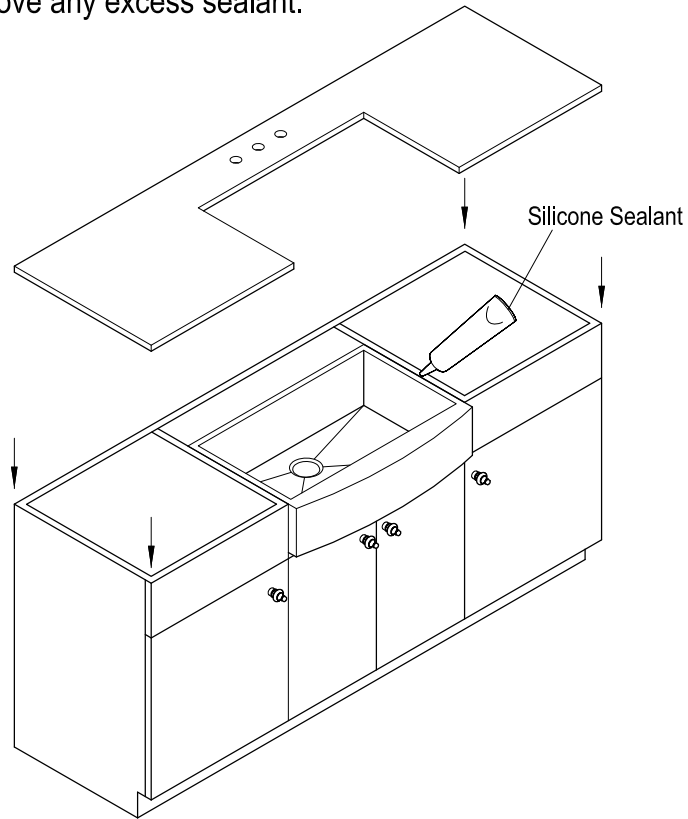


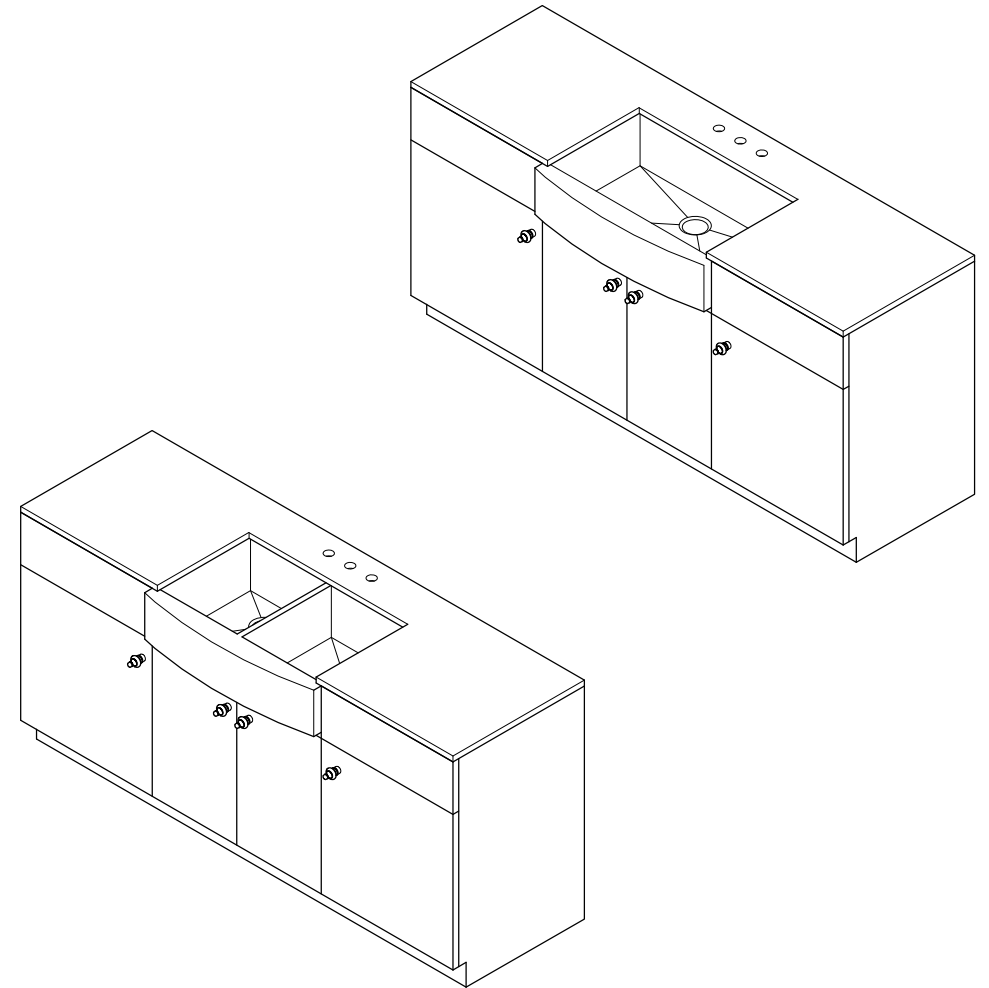
STEP 5

Use a bead of silicone around the perimeter of the sink. Check the alignment of the sink to the cutout in the countertop. Place countertop over sink and press firmly. Remove any excess sealant.



STEP 6

Install drain, trap, water supply and faucet according to manufacturer's instruction. Run water into sink and check for leaks



NOTICE

Failure to follow all directions may cause leaks
which may result in water damage

www.kingstonbrass.com
TOLL-FREE CUSTOMER SERVICE: 1-877-2-KBRASS
TECHNICAL SUPPORT E-mail: service@kingstonbrass.com
12775 Reservoir Street, Chino, CA 91710

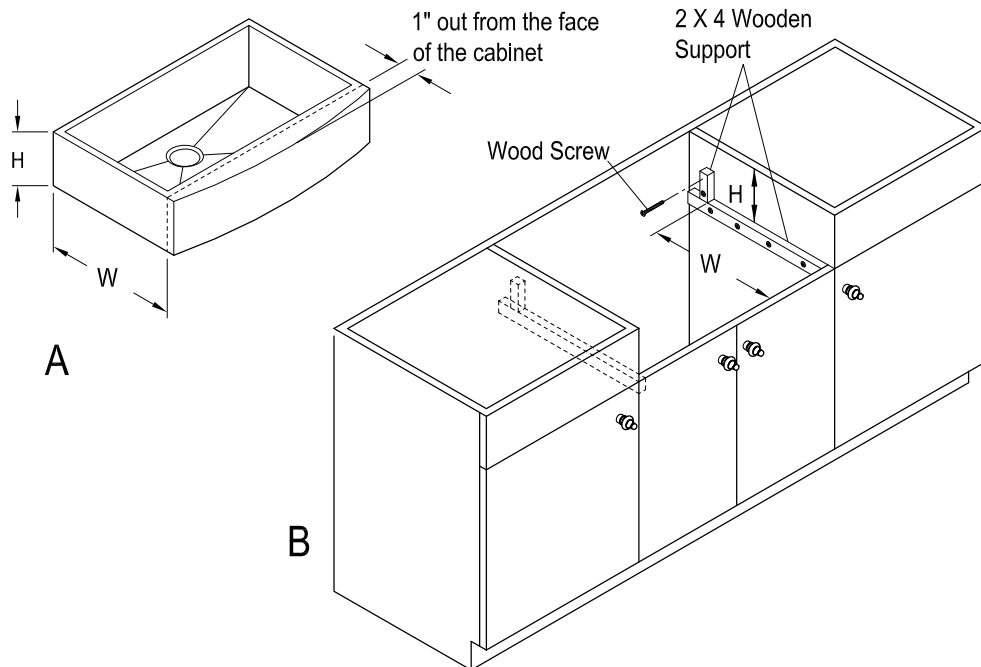


INSTALLATION INSTRUCTIONS Stainless Steel Farmhouse Undermount Sink

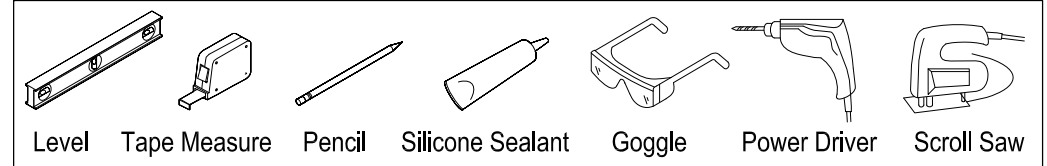
These instructions are for installing this Kingston Brass farmhouse undermount style stainless steel sink, which can be installed either above or below the countertop. Before installation, make sure to have the paper template available as a guide, and using the actual sink will help achieve a more accurate cutout.

Note:

- It is recommended that all sink installations be performed by a qualified professional.
- Inspect sink prior to installation.
- Follow all plumbing and building codes.
- The warranty will be voided if all instructions are not followed.



Tools Needed :



STEP 1

Prepare the sink base cabinet.

Farmhouse sinks require a special sink base cabinet with a front cutout and a platform built in place to support the sink.

STEP 2

Measure the actual height " H " of sink.

Measure the installation depth " W " of sink.

Kingston Brass Stainless Steel Farmhouse style undermount sinks are designed so that the apron sits forward approximately 1" out from the face of the cabinet. (illustration A)

STEP 3

Build 2 X 4 wooden supports on inside of cabinet based on sink measurements (H & W).

Be sure to allow sufficient space behind the sink for faucet installation and space under the sink for water supply line & drain installation. (illustration B)

STEP 4

Install the sink in the opening, check that the sink is level from side to side and front to back, add wood shims if necessary, once sink has been leveled, fill the gap using silicone caulking.

