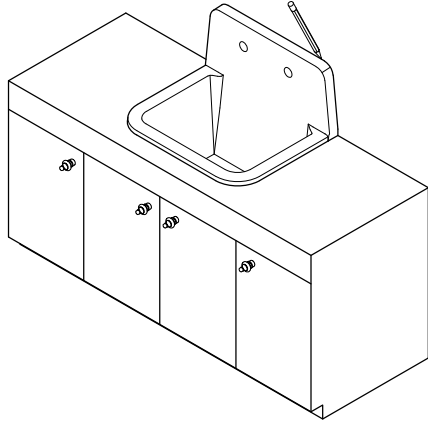


Mark a horizontal level line at the height where the top of the backsplash will be situated, measure 3/8" down from the previous line and mark another horizontal leveled line.



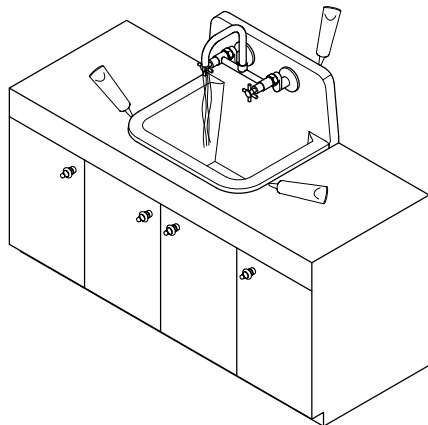
Place the top of the hanger at the lower line and mark the location of the holes, remove the wall hanger and drill 1/2" holes at the marked locations.

Remove the nut and washers from the anchors, insert anchor on wall hanger, insert washers and thread nut, install wall hanger by pressing plate against the wall making sure that all anchors are inserted in the pre-drilled holes, tighten all nuts with a socket or adjustable wrench.



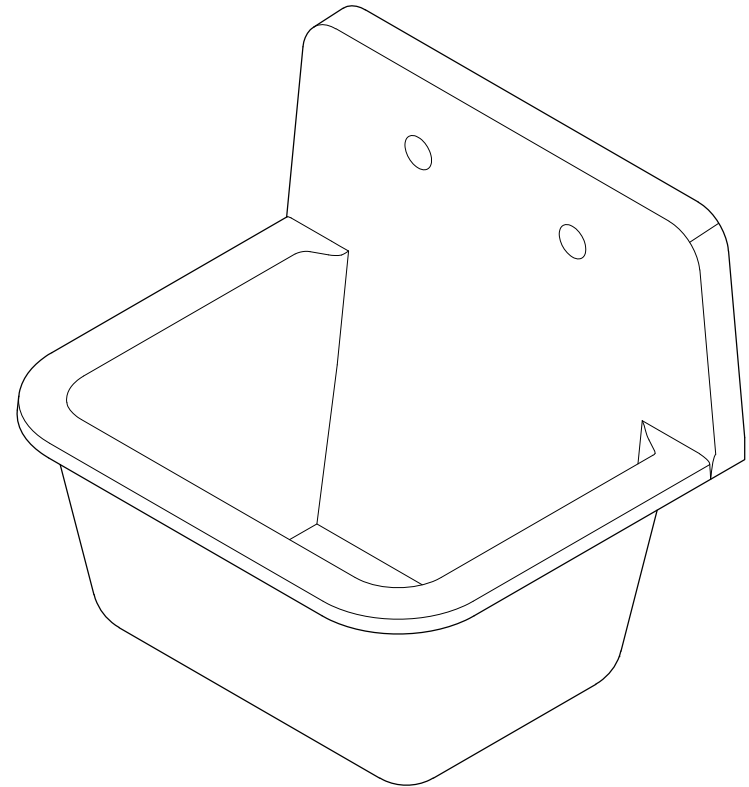
Pre-install the faucet, supply lines and drain on the sink, apply caulking around the perimeter of the lip and back of the sink and gently set it down on the counter.

Clean excess caulking, Install trap as per manufacturer's instructions



GOURMETIER™

KINGSTON CREATION



⚠ CAUTION

Failure to follow all installation directions may cause product to detach from the wall and cause serious injury

NOTICE

Failure to follow all directions may cause leaks which may result in water damage

www.kingstonbrass.com
 TOLL-FREE CUSTOMER SERVICE: 1-877-2-KBRASS
 TECHNICAL SUPPORT E-mail: service@kingstonbrass.com
 12775 Reservoir Street, Chino, CA 91710



⚠ WARNING

Lifting hazard.

Single person lift could cause injury.
 Use assistance when moving or lifting.

GOURMETIER™

KINGSTON CREATION

INSTALLATION INSTRUCTIONS

WALL MOUNT / DROP-IN SINK

This sink is designed to be wall mounted or installed as a drop-in on a cabinet, please follow the directions accordingly.

Before Installation

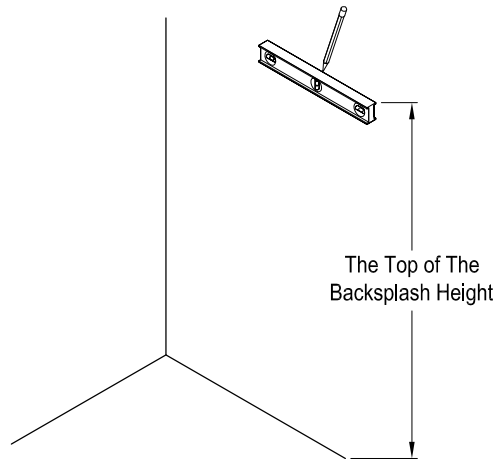
- Follow all local building codes.
- Open box and make sure that all the components are complete.
- Because of the weight of this sink it is recommended that you recruit the assistance of a second person.

IMPORTANT Although anchors are included with your sink, you must consult a qualified professional to determine the appropriate anchors for your specific site conditions, manufacturer shall not be held liable for any damages caused by a faulty installation of this item.

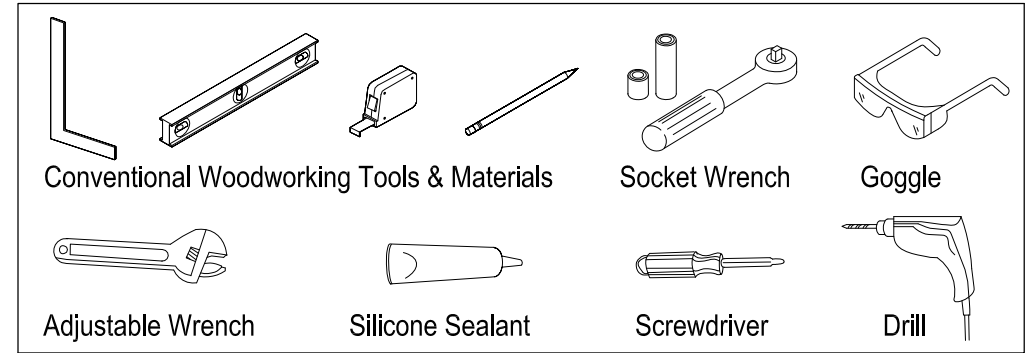
For wall mount installation

It is recommended that this sink be secured to 2" x 6" lumber bracing on the wall where it is to be installed.

Measure the desired height of the sink and mark a horizontal leveled line at the height where the top of the backsplash will be situated, measure 3/8" down from the previous line and mark another horizontal leveled line.



Need Tools:



Place the top of the hanger at the lower line and mark the location of the holes, remove the wall hanger and drill 1/2" holes at the marked locations.

Remove the nut and washers from the anchors, insert anchor on wall hanger, insert washers and thread nut, install wall hanger by pressing plate against the wall making sure that all anchors are inserted in the pre-drilled holes, tighten all nuts with a socket or adjustable wrench.



Pre-install the faucet, supply lines and drain on the sink, apply a bead of adhesive caulking to the back of the sink and install on the wall hanger, Install P-trap as per manufacturer's instructions and check for leaks around the drain.

For drop-in Installation

Cut a perimeter hole on the counter top where the sink is to be installed.

Build a support structure below the top of the counter, make sure to secure structure to the floor and side walls of the cabinet, and that it is strong enough to support 100 Lbs. Allow space for the drain connection.

