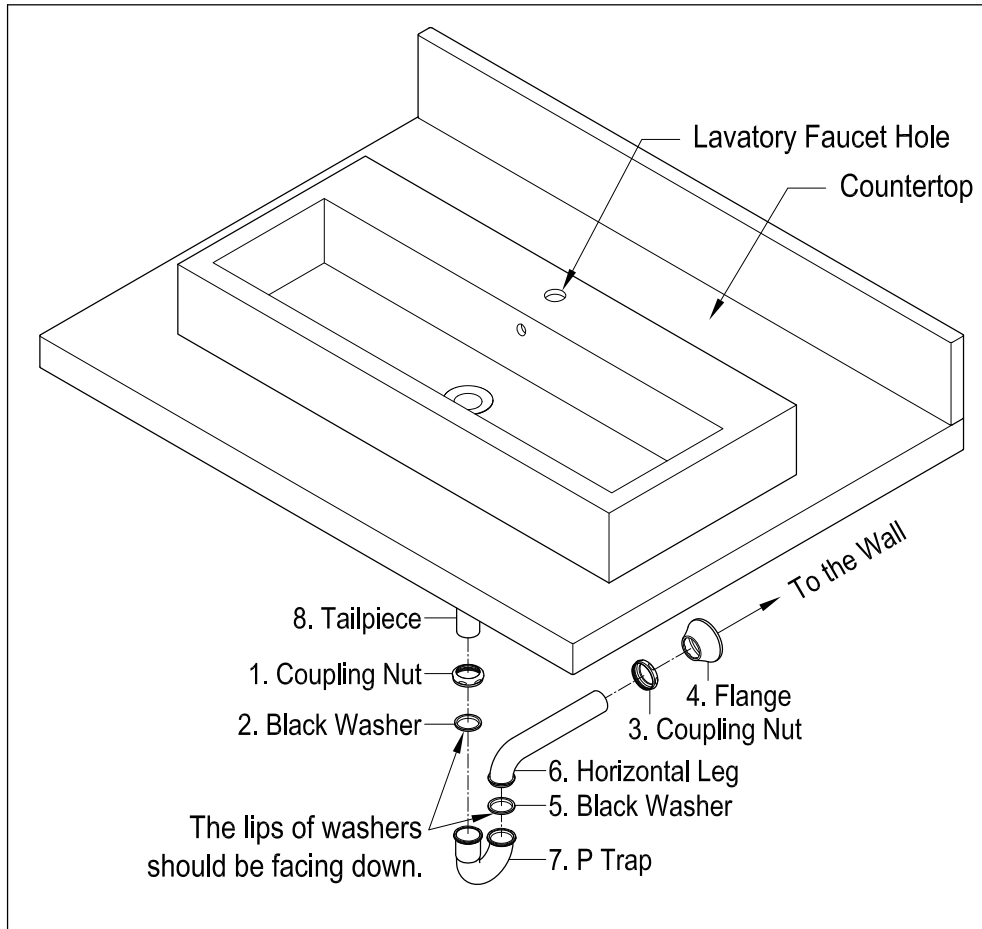
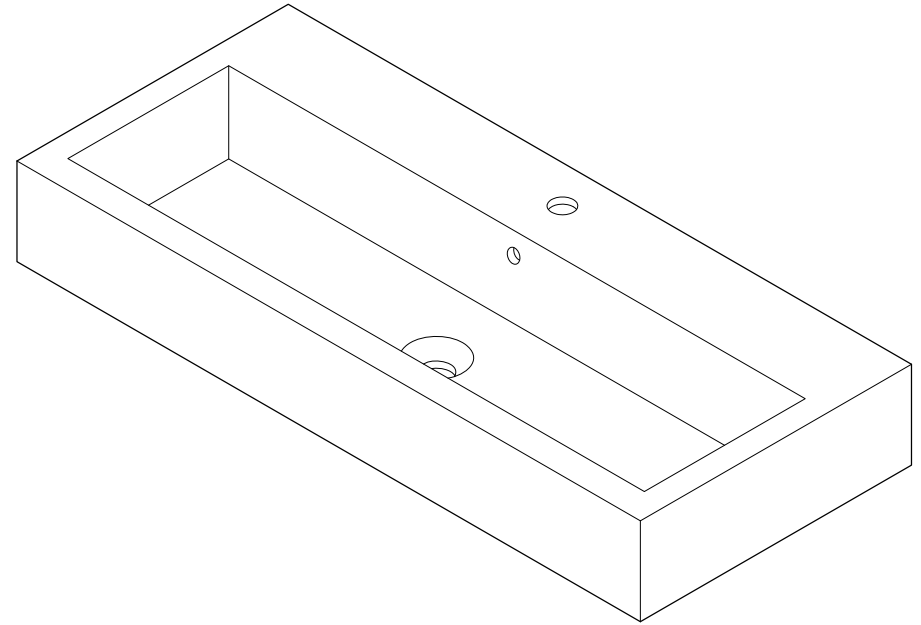


P-Trap Installation:



1. Insert horizontal leg (6) into wall drain stub-out.
2. Remove coupling nut (1) and black washer (2) from the P-trap (7).
3. Insert coupling nut (1) and black washer (2) onto the tailpiece (8), make sure the lip of washer is facing down.
4. Attach P-trap to the tailpiece (8). Slowly and carefully move the black washer (2) down to touch the inlet of P-trap (7) by hand. Then tighten up the coupling nut (1).
5. Align P-trap (7) with horizontal leg (6) and tailpiece (8), at this point it may be necessary to cut part of tailpiece (8) or part of horizontal leg (6) to obtain proper alignment.
6. Check if all components are properly tightened.
7. Run water. If leaks appears and tightening doesn't correct it, loosen coupling nuts (1) or (3), check black washers (2) and (5) are properly installed. Retighten coupling nuts (1) or (3).

FAUCETURE



CAUTION

Failure to follow all installation directions may cause product to detach from the wall and cause serious injury

NOTICE

Failure to follow all directions may cause leaks which may result in water damage

www.kingstonbrass.com
TOLL-FREE CUSTOMER SERVICE: 1-877-2-KBRASS
TECHNICAL SUPPORT E-mail: service@kingstonbrass.com
12775 Reservoir Street, Chino, CA 91710



WARNING

Lifting hazard.

Single person lift could cause injury.
Use assistance when moving or lifting.

FAUCETURE

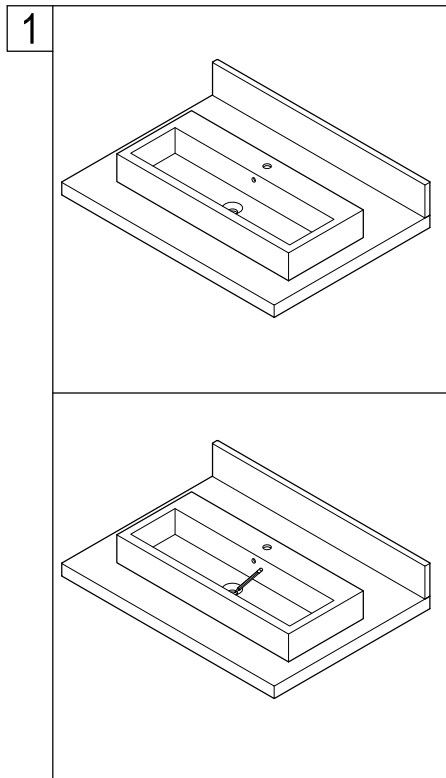
INSTALLATION INSTRUCTIONS

Tabletop Mount and Console Sink

Before Installation :

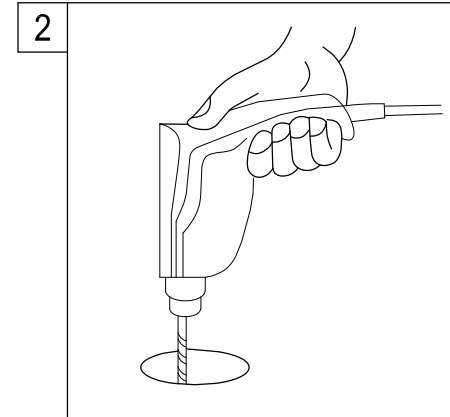
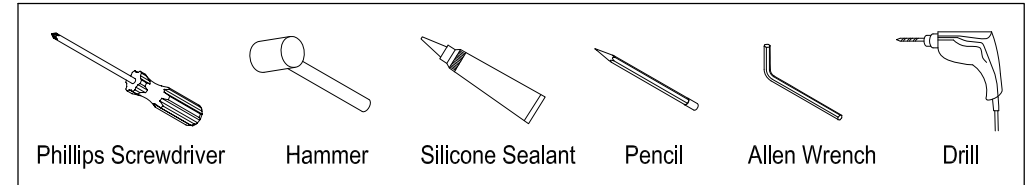
1. Prior to Installation, unpack your new Kingston Brass product and inspect it, keep the product in its original package until you are ready to install it.
2. Shut the water supply off prior to replacing an existing fixture.
3. Observe all local plumbing codes.
4. Due to the size of this vessel sink this installation requires at least 2 people.
5. This lavatory basin is designed to be installed using the appropriate console legs or on a counter top installation. Do not install as a wallmount.

For tabletop mount Installation :

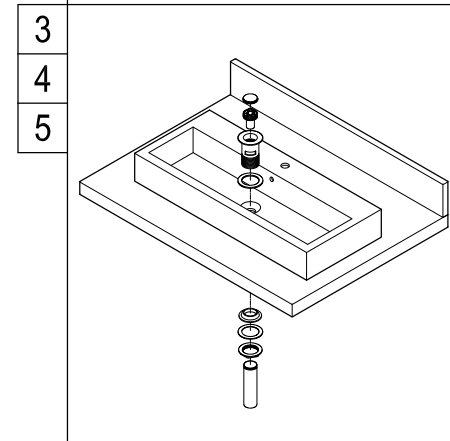


1. Place vessel sink on top of vessels where it will be installed, mark the location of the drain hole as well as the faucet hole, remove vessel.

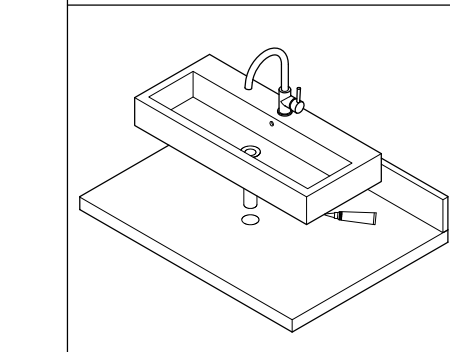
Need Tools:



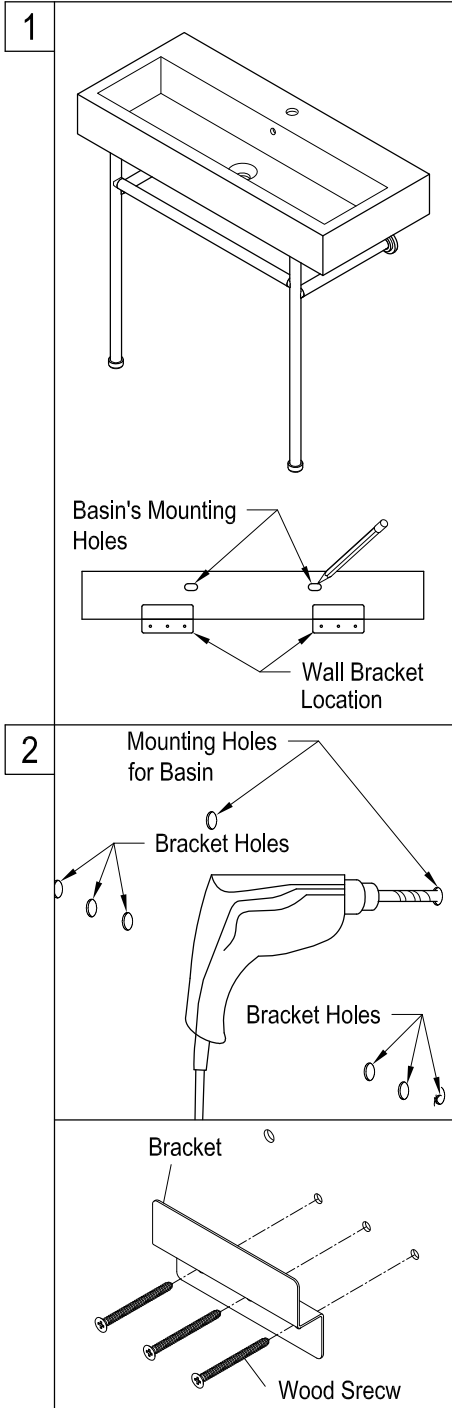
2. Cut a 2" hole at the drain location as well as the faucet location.



3. Install the faucet and the drain on the vessel sink and apply a bead of silicone around the perimeter of the vessel sink.
4. Carefully set sink at its intended location, clean excess caulking.
5. Connect P-trap to drain and water supplies.

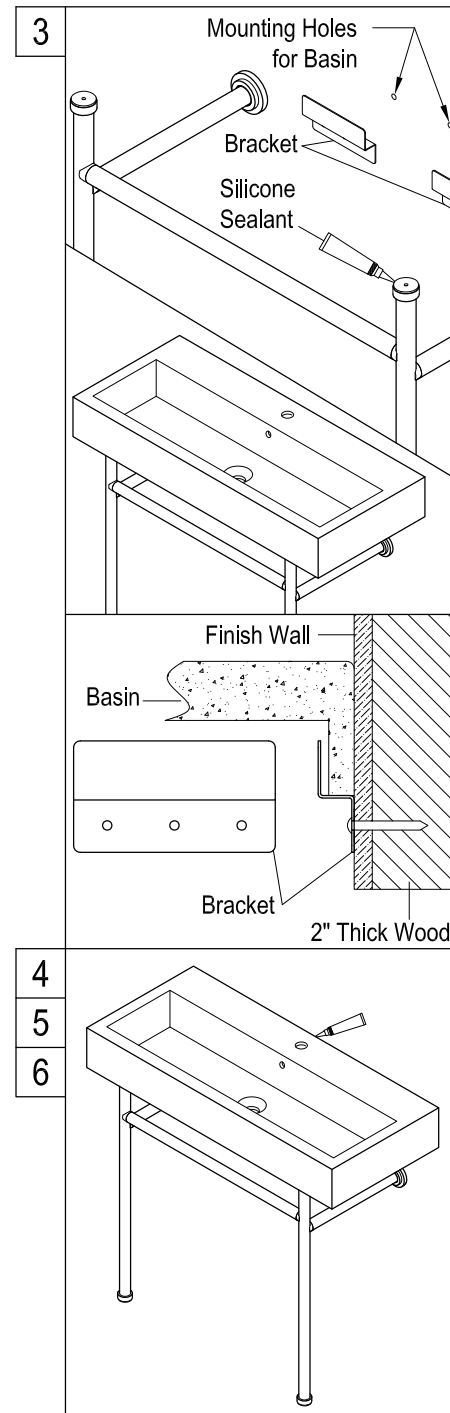


For basin pedestal Installation:



1. Carefully place the basin on the top of leg support assembly with its back against the wall. Then place the basin supporting bracket to the flat edge under the basin. Mark the location of the basin's mounting holes and the location of drill holes for the bracket.

2. Remove basin, drill the mounting holes and holes for bracket. Fix the bracket onto the wall by tightening up wood screws with a screwdriver. If you are installing on a plaster (drywall) wall we recommend using toggle bolt anchors (included), drill 5/8" hole at the marked location of the mounting holes.



3. Apply silicone sealant on the top of the two vertical legs. Place the basin on the top of the leg support assembly, make sure its back is securely held by the bracket and the basin is firmly and level sat on.

Secure the basin with toggle bolt anchor as shown on the next page, then install the bracket by tightening up the wooden screws.

4. Apply a bead of silicone caulking around the perimeter of the back of the basin and secure the basin to the wall.
 5. Install faucet and drain on basin as per the faucet manufacturer's instructions.
 6. Attach supply lines and P trap, clean any excess caulking.

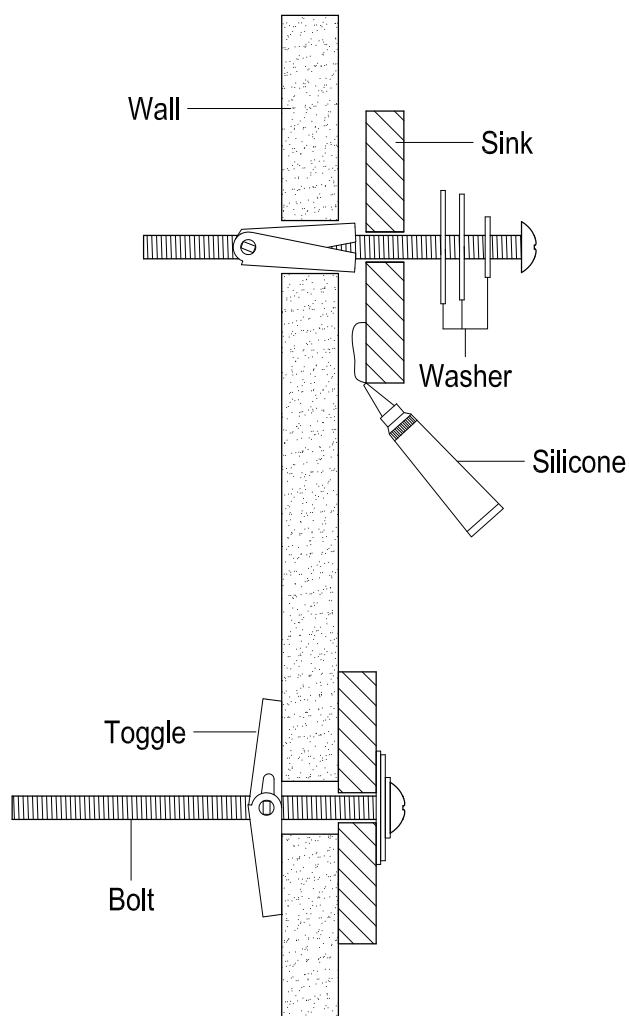
Important: We do recommend installing wood blocking inside your wall to add support to your stand. If you choose not to insert wood blocking, you will need to use heavy duty anchors (such as steel or toggles).

KINGSTON

KITCHEN & BATH

Toggle Bolt Anchor Installation Instructions:

1. If you are installing on a plaster (Drywall) wall we recommend using toggle bolt anchors (included), drill a 5/8" hole at the marked location of the holes
2. Remove toggle from bolt, insert washer on the bolt and insert bolt through the basin mounting holes.
3. Thread no more than 1/2", with the tip of the toggle pointing towards the head of the bolt, apply a bead of silicone caulking around the perimeter of the back of the sink and secure the sink to the wall by inserting the toggle bolt through the holes.
4. Make sure that the bolt went far enough to allow the toggle bolt to open, thread the bolt while pulling on it, this will ensure that the toggle inside the wall will not spin, thread until the basin has been properly secured.



CAUTION

Failure to follow all installation directions may cause product to detach from the wall and cause serious injury

www.kingstonbrass.com

TOLL-FREE CUSTOMER SERVICE: 1-877-2-KBRASS

TECHNICAL SUPPORT E-mail: service@kingstonbrass.com

12775 Reservoir Street, Chino, CA 91710