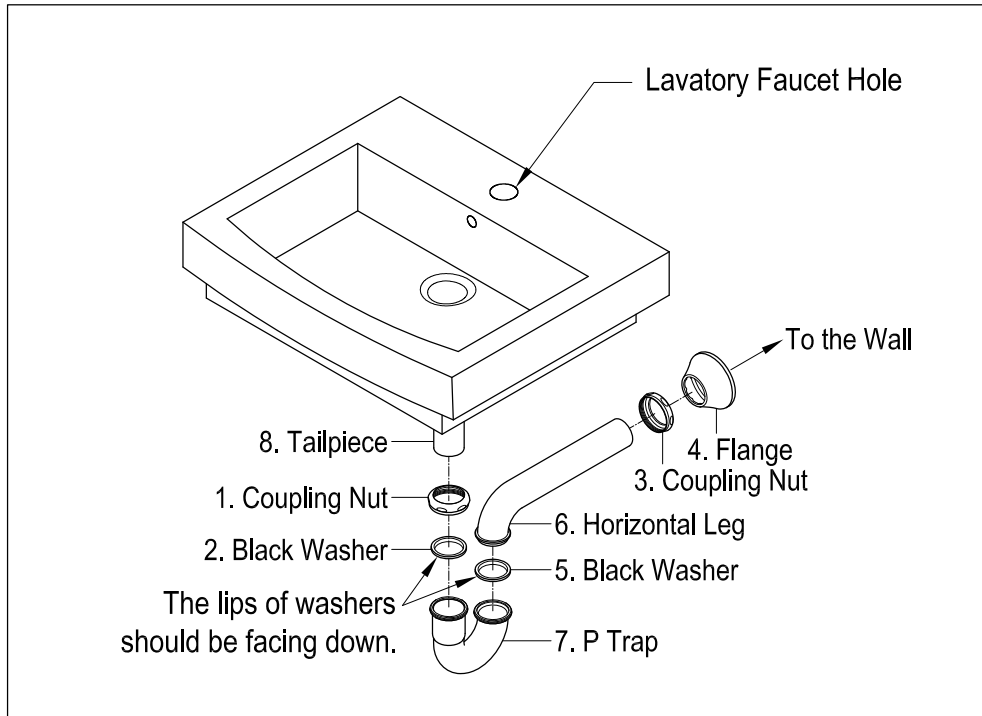
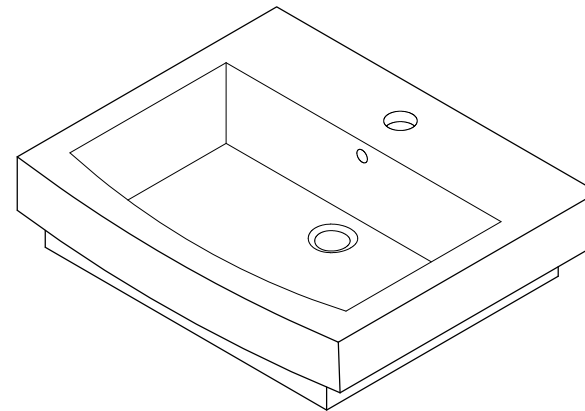
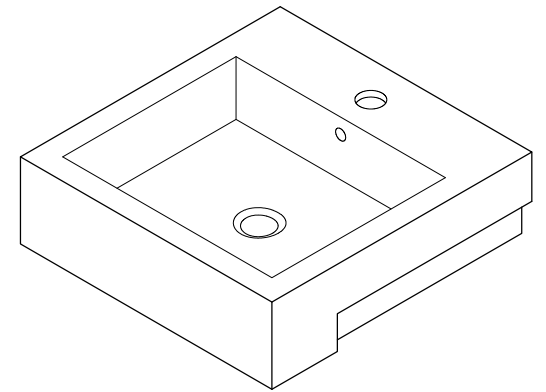


P-Trap Installation:



1. Insert horizontal leg (6) into wall drain stub-out.
2. Remove coupling nut (1) and black washer (2) from the P-trap (7).
3. Insert coupling nut (1) and black washer (2) onto the tailpiece (8), make sure the lip of washer is facing down.
4. Attach P-trap to the tailpiece (8). Slowly and carefully move the black washer (2) down to touch the inlet of P-trap (7) by hand. Then tighten up the coupling nut (1).
5. Align P-trap (7) with horizontal leg (6) and tailpiece (8), at this point it may be necessary to cut part of tailpiece (8) or part of horizontal leg (6) to obtain proper alignment.
6. Check if all components are properly tightened.
7. Run water. If leaks appears and tightening doesn't correct it, loosen coupling nuts (1) or (3), check black washers (2) and (5) are properly installed. Retighten coupling nuts (1) or (3).

FAUCETURE



CAUTION

Failure to follow all installation directions may cause product to detach from the wall and cause serious injury

NOTICE

Failure to follow all directions may cause leaks which may result in water damage

www.kingstonbrass.com
TOLL-FREE CUSTOMER SERVICE: 1-877-2-KBRASS
TECHNICAL SUPPORT E-mail: service@kingstonbrass.com
12775 Reservoir Street, Chino, CA 91710



WARNING

Lifting hazard.

Single person lift could cause injury.
Use assistance when moving or lifting.

FAUCETURE

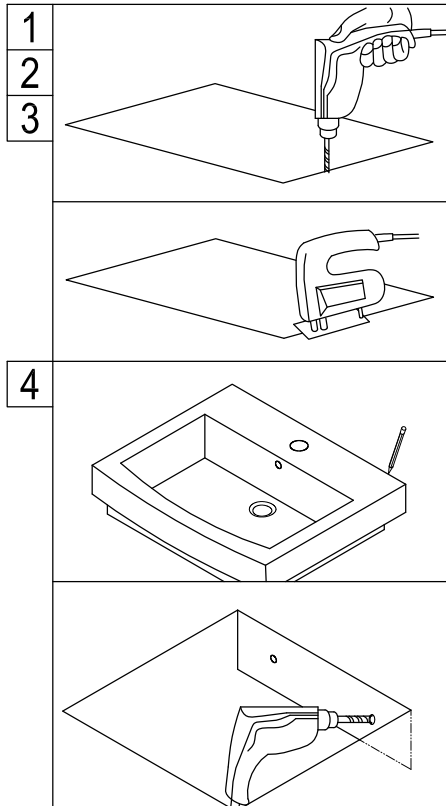
INSTALLATION INSTRUCTIONS

Semi-Recessed Sink

Before Installation :

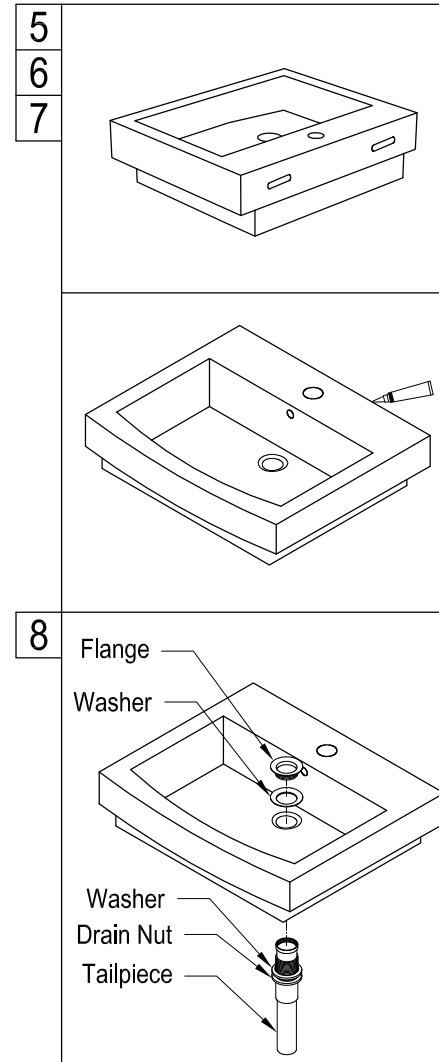
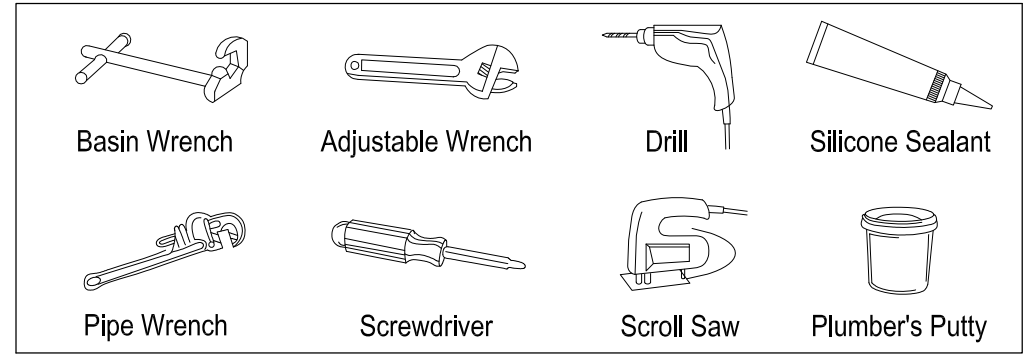
1. Prior the installation, unpack your new Kingston Brass product and inspect it keep the product in its original package until you are ready to install it.
2. Shut the water supply off when replacing an existing fixture. Preparation of the floors and walls, including all additional wall supports, maybe required.
3. Observe all local plumbing and building codes.
4. Do not install this fixture alone.
5. Make sure to select appropriate drain as some of Kingston Brass vessel sinks do not include overflow hole.

Installation Step :



1. Place basin/sink on top of counter where it will be installed.
2. Mark the location of drain opening.
3. Use the installation template to make a cut out on the counter. (If sink does not require a template to cut the counter, sit the basin above the counter)
4. Mark hole position by measuring the distance from counter height to center of mounting hole and center to center between two back mounting hole.

Need Tools:



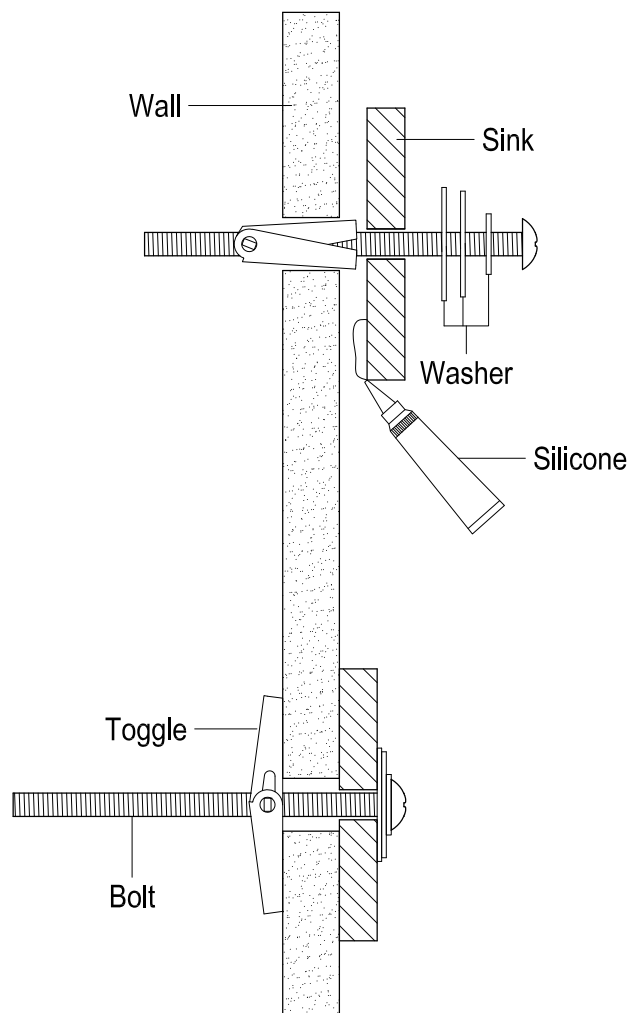
5. Turn basin/sink over; apply a very thin bead of clear caulking around the base of basin/sink.
6. Drill two holes, insert the appropriate anchors for your wall type. This basin/sink includes toggle bolt anchors for drywall installation, if your wall is not a drywall type; please consult a professional to specify the appropriate anchors.
7. Turn right side up and place basin/sink on counter, center basin/sink on cut out, insert and tighten the bolts on the anchors. Clean all excess caulking.
8. Insert the drain as show in picture, tighten the drain nut from underneath of the counter and making sure not to over tighten as this may cause cracks in your basin/sink.

KINGSTON

KITCHEN & BATH

Toggle Bolt Anchor Installation Instructions:

1. If you are installing on a plaster (Drywall) wall we recommend using toggle bolt anchors (included), drill a 5/8" hole at the marked location of the holes
2. Remove toggle from bolt, insert washer on the bolt and insert bolt through the basin mounting holes.
3. Thread no more than 1/2", with the tip of the toggle pointing towards the head of the bolt, apply a bead of silicone caulking around the perimeter of the back of the sink and secure the sink to the wall by inserting the toggle bolt through the holes.
4. Make sure that the bolt went far enough to allow the toggle bolt to open, thread the bolt while pulling on it, this will ensure that the toggle inside the wall will not spin, thread until the basin has been properly secured.



CAUTION

Failure to follow all installation directions may cause product to detach from the wall and cause serious injury

www.kingstonbrass.com

TOLL-FREE CUSTOMER SERVICE: 1-877-2-KBRASS

TECHNICAL SUPPORT E-mail: service@kingstonbrass.com

12775 Reservoir Street, Chino, CA 91710